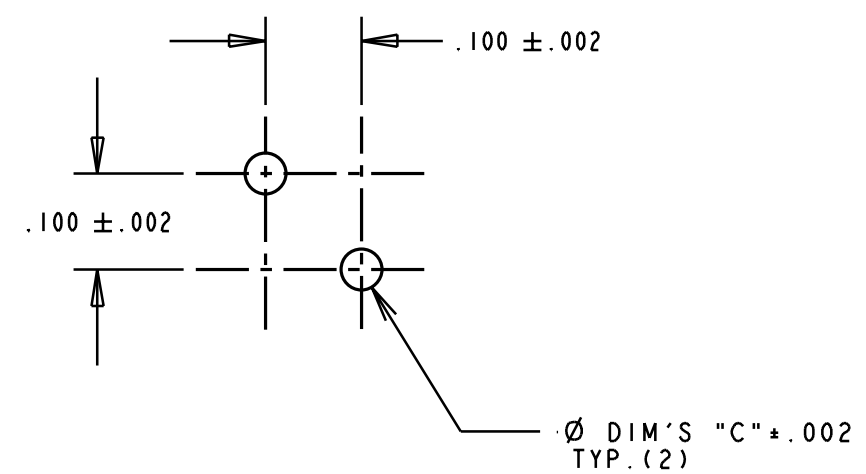
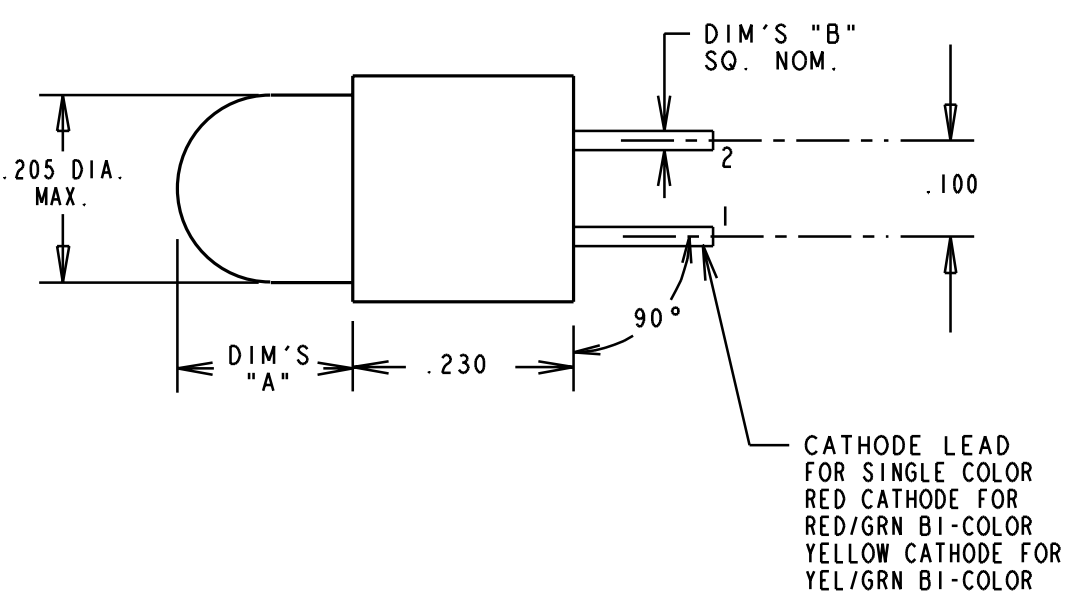
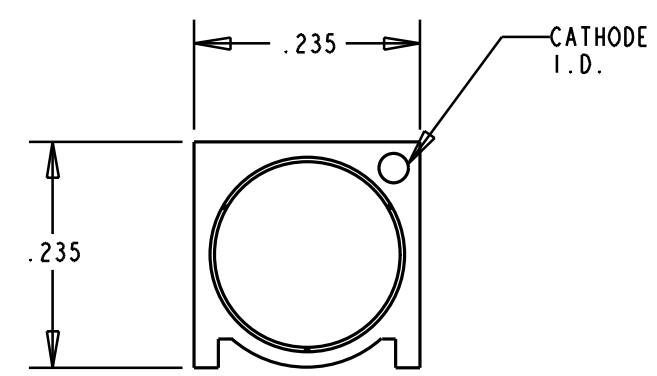
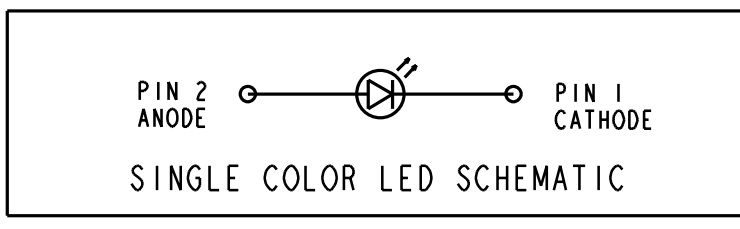
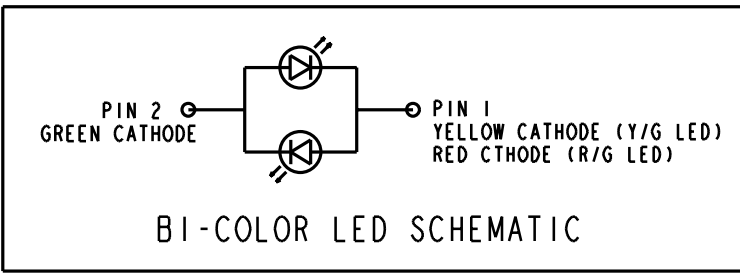
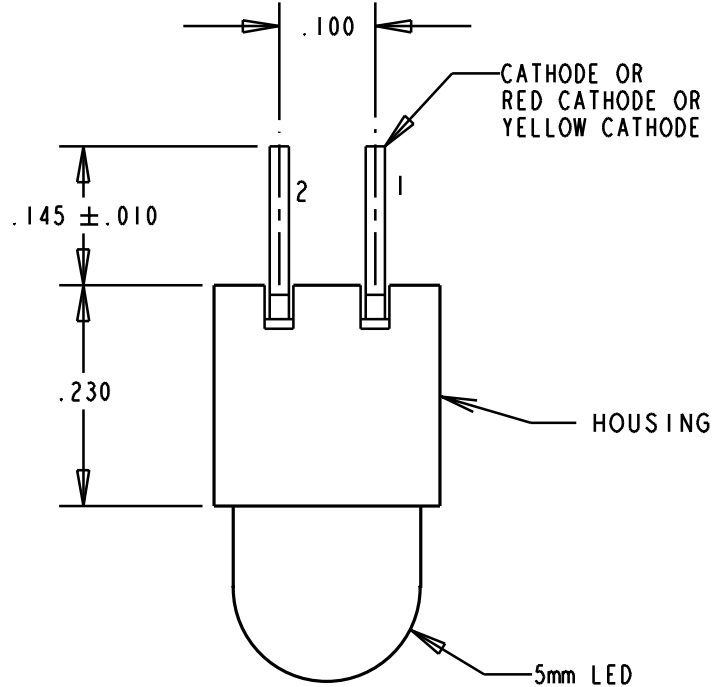


REV.	ECN NO.	REVISIONS	DRN.	CKD.	APP.	DATE
A		NEW RELEASE	DC			

ASS'Y NO.	LED COLOR	DIM. "A"	DIM. "B"	DIM. "C"	IV (MIN.)	VF MAX	IF MAX	λ PEAK	TEST COND.	IR (MAX) @5
550-0204	GREEN DIFFUSED	.135	.020	.043	3.5 mc d	2.8V		560nm	20mA	100μA
550-0304	YELLOW DIFFUSED	.135	.020	.043	3.5 mc d	2.8V		585nm	20mA	100μA
550-0404	RED DIFFUSED	.135	.020	.043	3.5 mc d	2.8V		635nm	20mA	100μA
550-0504	RED DIFFUSED 5 VOLT	.197	.025	.050	1.0 mc d		20mA	655nm	5V	100μA
550-0604	RED DIFFUSED 12 VOLT	.197	.025	.050	1.0 mc d		20mA	655nm	12V	100μA
550-0704	GREEN DIFFUSED 5 VOLT	.197	.025	.050	2.0 mc d		15mA	565nm	5V	100μA
550-0804	YELLOW DIFFUSED 5 VOLT	.197	.025	.050	2.0 mc d		15mA	583nm	5V	100μA
550-1104	RED TINTED DIFFUSED 2 mA	.197	.018	.040	1.2 mc d	2.2V		635nm	2mA	50μA
550-1204	YELLOW TINTED DIFFUSED 2 mA	.197	.018	.040	1.2 mc d	2.7V		583nm	2mA	50μA
550-1304	GREEN TINTED DIFFUSED 2 mA	.197	.018	.040	1.2 mc d	2.2V		565nm	2mA	50μA
550-2204	GREEN DIFFUSED	.190	.020	.043	3.6 mc d	3.0V		563nm	10mA	
550-2304	YELLOW DIFFUSED	.190	.020	.043	2.2 mc d	3.0V		585nm	10mA	100μA
550-2404	RED DIFFUSED	.190	.020	.043	2.2 mc d	2.55V		650nm	10mA	100μA
550-2504	ORANGE DIFFUSED	.197	.018	.040	4.0 mc d	2.4V		600nm	10mA	100μA
550-3004	RED/GREEN BI-COLOR	.190	.020	.043	1 <sup>4</sup> / <sub>9</sub> mc d	2.4 <sup>4</sup> / <sub>2.8</sub> V		660 <sup>nm</sup> / <sub>565</sub>	20mA	100μA
550-3104	YEL/GREEN BI-COLOR	.190	.020	.043	2.5 mc d	2.8V		585 <sup>nm</sup> / <sub>565</sub>	20mA	100μA
550-5104	RED DIFFUSED	.190	.020	.043	17 mc d	2.55V		650nm	20mA	10μA
550-5204	GREEN TINTED DIFFUSED	.190	.020	.043	17 mc d	3.0V		563nm	20mA	10μA
550-5304	YELLOW TINTED DIFFUSED	.190	.020	.043	17 mc d	3.0V		585nm	20mA	10μA
550-5404	AMBER TINTED DIFFUSED	.190	.020	.043	17 mc d	3.0V		610nm	20mA	10μA
550-5504	RED NON-DIFFUSED WATER CLEAR	.197	.018	.040	80 mc d	3.0V		635nm	20mA	100μA
550-5604	GREEN NON-DIFF. WATER CLEAR	.197	.018	.040	80 mc d	3.0V		585nm	20mA	100μA
550-5704	YELLOW NON-DIFF. WATER CLEAR	.197	.018	.040	80 mc d	3.0V		583nm	20mA	100μA
550-5804	AMBER NON-DIFF. WATER CLEAR	.190	.024	.050	60 mc d	2.5V		605nm	20mA	

- NOTES:
- LEADS TO FIT INTO HOLE PATTERN AS SHOWN.
  - LED LEAD DIMENSIONS SHOWN ARE MEASURED AT HOUSING EXIT.
  - PIN NUMBERS FOR REFERENCE ONLY, DESIGNATION NON-EXISTENT ON PARTS.
  - DIALIGHT PART NUMBER: 550-0204 THRU 550-5804



THIS DRAWING AND THE CONTENTS HEREIN ARE CONFIDENTIAL AND THE SOLE PROPERTY OF DIALIGHT. REPRODUCTION OF THIS DRAWING OR CONSTRUCTION OF ANY PARTS WITHIN THIS DRAWING ARE FORBIDDEN WITHOUT THE WRITTEN CONSENT OF DIALIGHT.		
SCALE 5:1	DRAWING NUMBER	REV
ALL DIM'S IN: INCHES	C-16650	A
TOLERANCES: UNLESS OTHERWISE SPECIFIED	TITLE	
FRACTIONS: ±1/64	5mm LED CBI, TOP VIEW	
DECIMALS (.XX): ±.020	MATERIAL	
DECIMALS (.XXX): ±.015	Dialight	
ANGLES: ±3°	1913 ATLANTIC AVE.	
FINISH:	MANASQUAN, N.J. 08736	
FSCM 83330	SHEET OF	FAMILY TABLES: