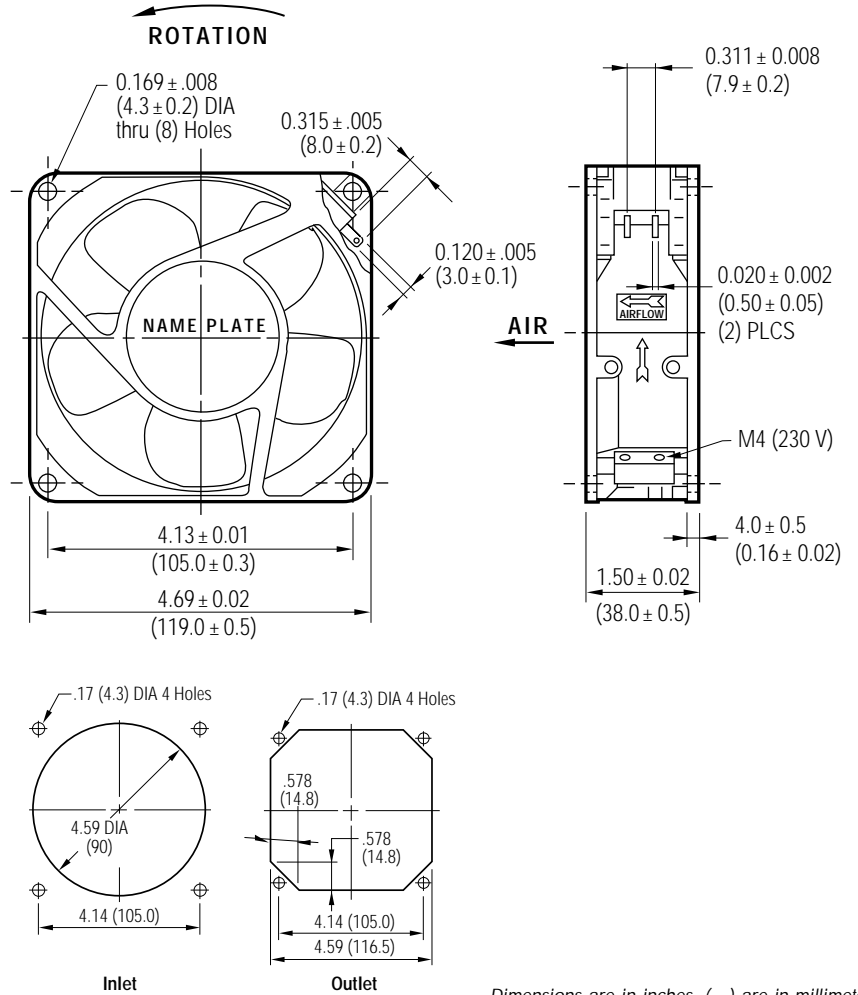


AC 4715MS SERIES FAN



FEATURES:

- Size 4.69 in sq. X 1.50 in (119mm sq. X 38mm)
- Airflow 50-102 CFM
- Weight 20 oz (550g)
- Noise 28-41 dBA
- Impeller UL94V-O Reinforced Plastic
- Venturi Aluminum Alloy
- Terminals 0.120 in
- Lead Wire AWG 22, Black, UL3266, CSA CL 1252
- Motor Shaded Pole Induction Motor
- Air out over struts



† Non-stock item, may be subject to lead time

Dimensions are in inches. () are in millimeters

MODEL	VOLTAGE (V)	POWER (W)	CURRENT (mA)	SPEED (RPM)	NOISE (dBA)	PRESSURE (in H ₂ O)	AIRFLOW (CFM)	MODEL	VOLTAGE (V)	POWER (W)	CURRENT (mA)	SPEED (RPM)	NOISE (dBA)	PRESSURE (in H ₂ O)	AIRFLOW (CFM)
4715MS-12T-B10-A00	115	5.5	80	1450	28	0.07	50	4715MS-23T-B10-A00	230	6.00	45	1450	28	0.07	50
B20-A00 †	115	7.0	100	1950	30	0.10	71	B20-A00 †	230	7.50	60	1950	30	0.10	71
B30-A00	115	10.0	140	2600	37	0.20	88	B30-A00	230	11.0	80	2600	37	0.20	88
B40-A00 †	115	13.0	190	2750	39	0.26	95	B40-A00 †	230	13.0	100	2750	39	0.26	95
B50-A00	115	14.5	210	2900	41	0.31	102	B50-A00	230	14.0	110	2900	41	0.31	102

