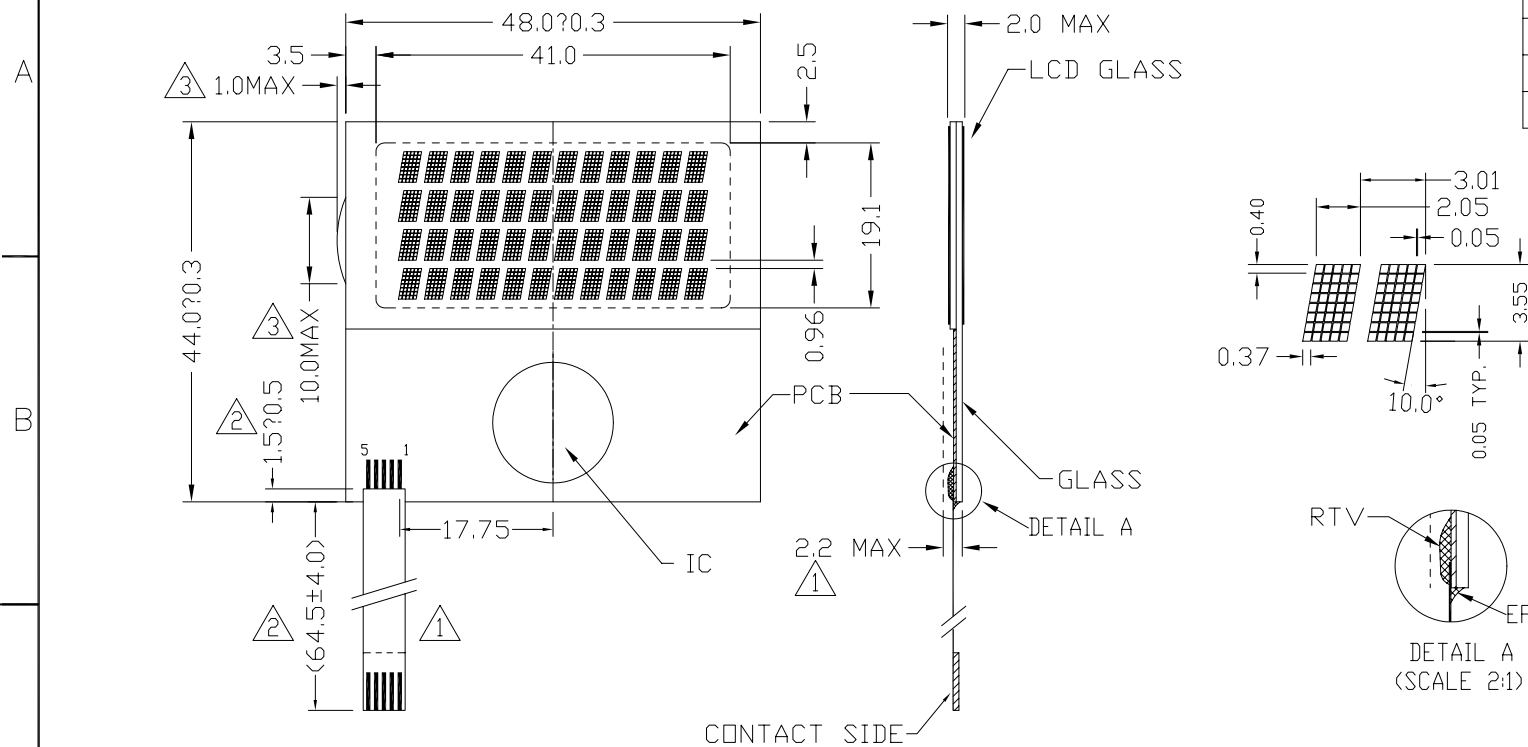


The drawing on this print and information therewith are proprietary to Varitronix and shall not be used in whole or in part without written permission of Varitronix.

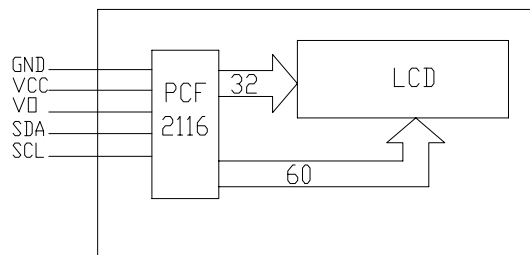
ISSUE	AMENDMENT	DATE
①	ADD NOTES MODIFY DIMENSION ADD FLAT CABLE	02.06.10
②	REDRAW ADD RTV & EPOXY ADD & MODIFY DIMENSION	02.07.25
③	UPDATE DIMENSION	05.06.30



①
NOTES

- 1. ◇ : SPECIAL CHARACTERISTIC DIMENSION
- 2. + : SAFETY CHARACTERISTIC
- 3. (.....) : FOR REFERENCE ONLY
- 4. ▽ : CRITICAL DIMENSION

5 PIN CONNECTION	1	2	3	4	5
	GND	VCC	VO	SDA	SCL



TITLE: LCM Module Specification

PROJECT NO: MDL(S)12433P

TOLERANCE UNLESS OTHERWISE SPECIFIED: X.X ±0.3
X.XX ±0.1

DIMENSIONS IN MM: ANGULAR: ± 1°

MATERIAL: N/A FINISH: N/A

SCALE: DO NOT ON SCALE OVERALL THK: N/A

THIRD ANGLE PROJECTION

	NAME	SIGN	DATE
DRAWN:	XB LONG		
CHECKED:	JW HE		
APPROVED:	CHARM		

ITEM NO.: MDLS12433P-XX

DESCRIPTION: MDLS12433P

FILE NO: MDLS12433P-XX R3 REV: 3

SHEET 1 OF 1



VARITRONIX LIMITED