



XRT4000

Universal Multiprotocol Serial Interface

November 1998-2

FEATURES

- Software-configurable multiprotocol serial interface supporting:
 - V.35, V.36, EIA-530 (A), RS232 (V.28), X.21, RS449
- One chip fully integrated solution (Internal termination)
- Contains 8 receivers and 8 transmitters for full DTE and DCE support
- Glitch filters on the control signals (Optional)
- +5V, +12V, -6V power supplies required
- Full support of loopbacks, data & clock inversion, and echoed clock in DTE and DCE modes
- Full support of most popular types of HDLC controllers (single, double, and triple clocks supported)
- Internal oscillator for standalone DTE loopback testing
- Control signals can be registered and non-registered
- Control signals can be tri-stated for bus-based designs
- "Fail Safe" operation supported
- ESD Protection Over ± 2 kV Range

APPLICATIONS

- Data Service Units (DSU)
- Routers
- Access Multiplexers

GENERAL DESCRIPTION

The XRT4000 is a fully integrated multiprotocol serial interface. It is a universal device because it supports all of the popular serial physical interfaces such as V.35, V.36, EIA-530 (A), RS232 (V.28), X.21 and RS449. Furthermore it can easily be interfaced with most common types of HDLC controllers. This device contains 8 receivers and 8 transmitters. It is a complete solution containing all of the required source and load terminations in one 100 pin TQFP package.

XRT4000 can be configured to operate in one of the seven interfaces in either DTE and DCE modes of

operation and power down mode. It fully supports echoed clock as well as clock and data inversion. An elaborate set of loopbacks are supported in DTE and DCE modes of operation. This eliminates the need for external circuitry for loopback implementation. The control signals such as RI, RL, DCD, DTR, DSR are protected against glitches by internal filters. These filters can be disabled. XRT4000 has an internal oscillator which is used to create a clock signal needed to conduct standalone diagnostics of DTE equipment.

ORDER INFORMATION

Part No.	Package	Operating Temperature Range
XRT4000CV	100 Pin TQFP	0°C to +70°C

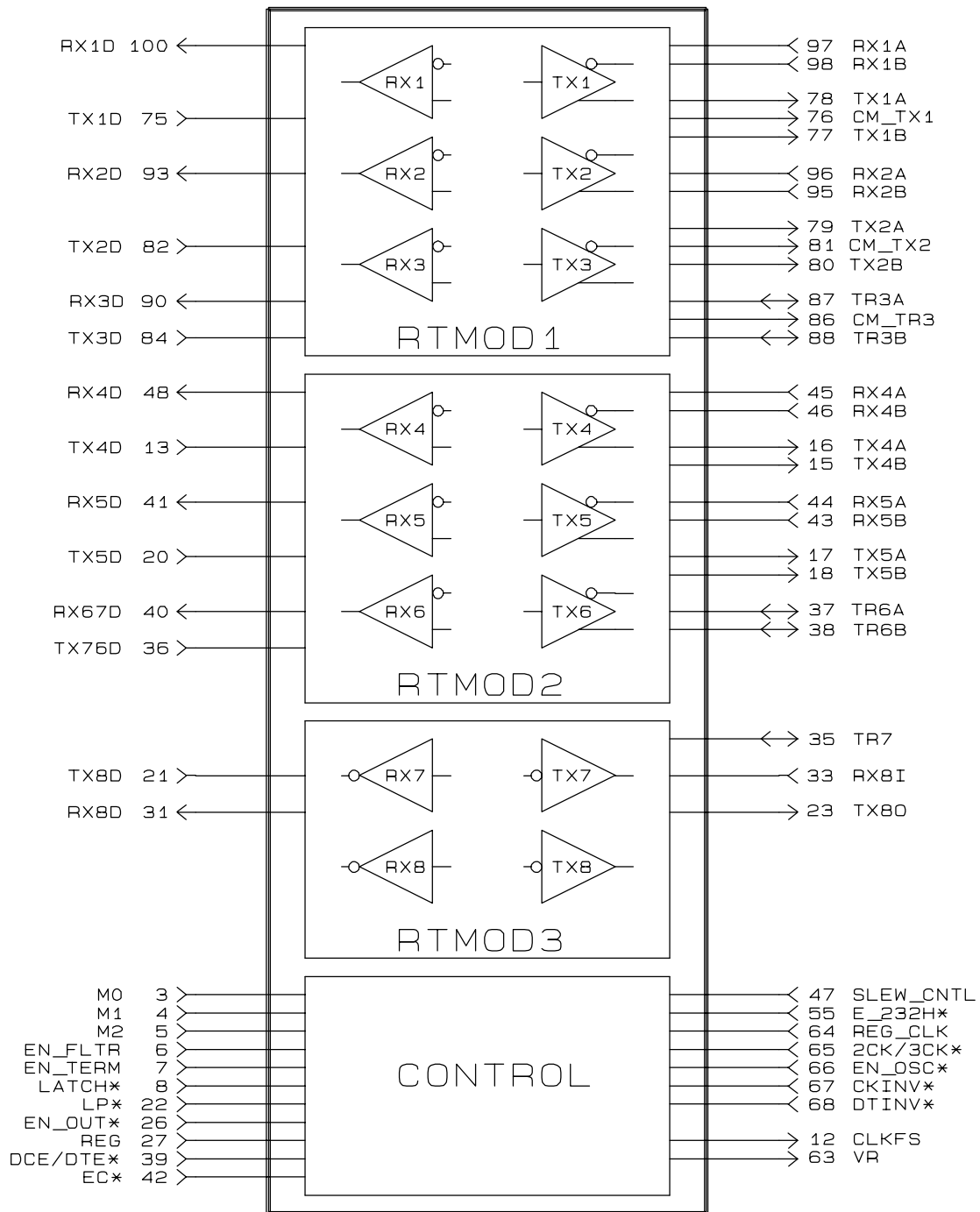


Figure 1. XRT4000 Functional Block Diagram

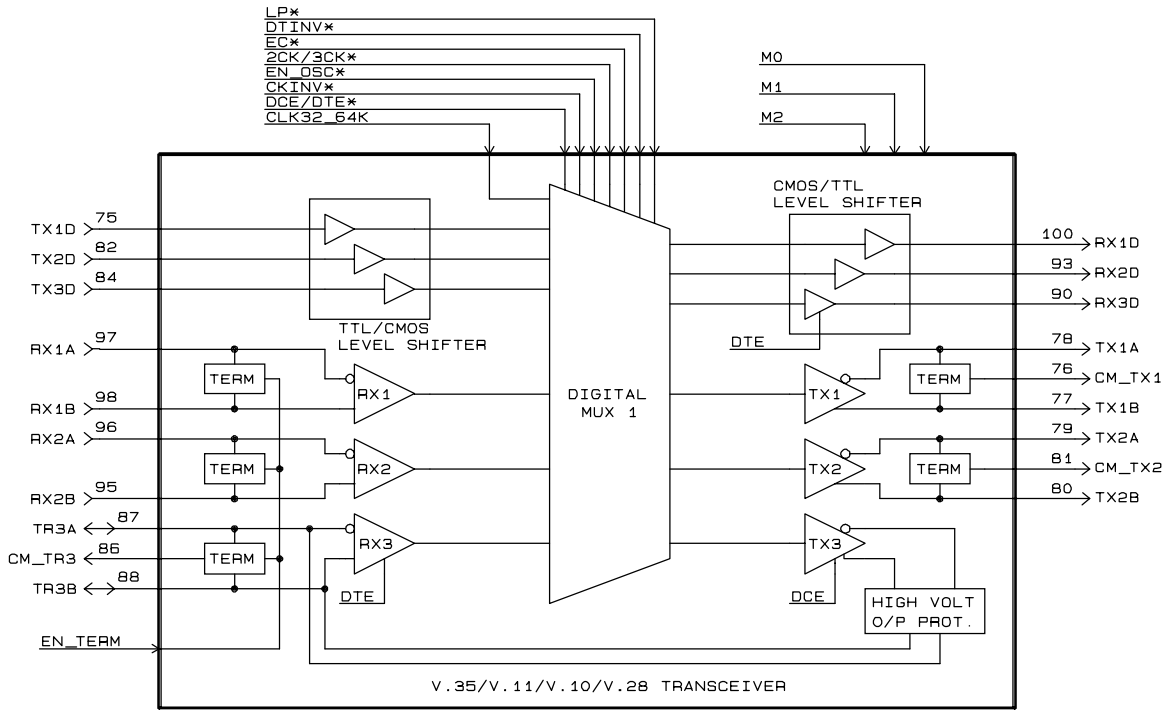


Figure 2. XRT4000 RTMOD1 Block

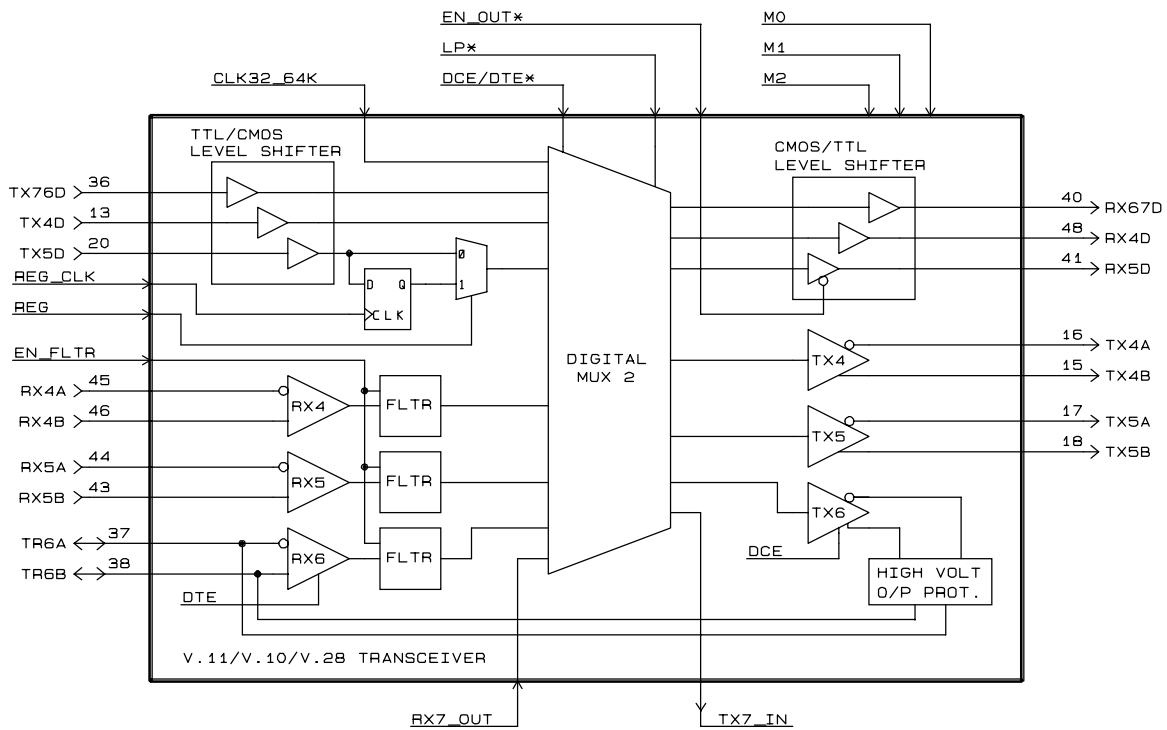


Figure 3. XRT4000 RTMOD2 Block

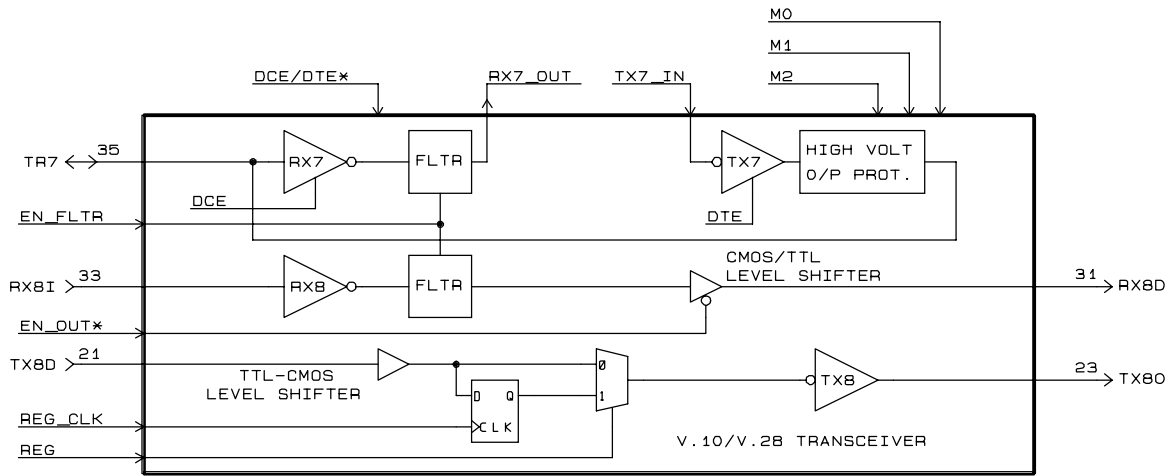


Figure 4. XRT4000 RTMOD3 Block

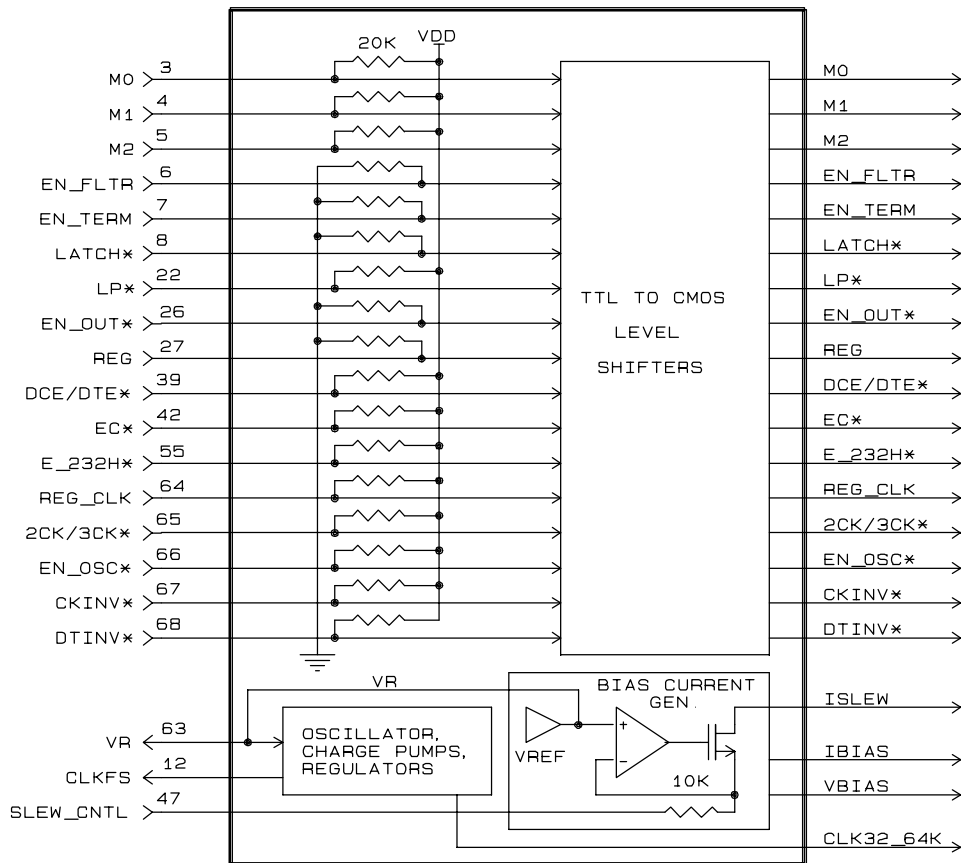
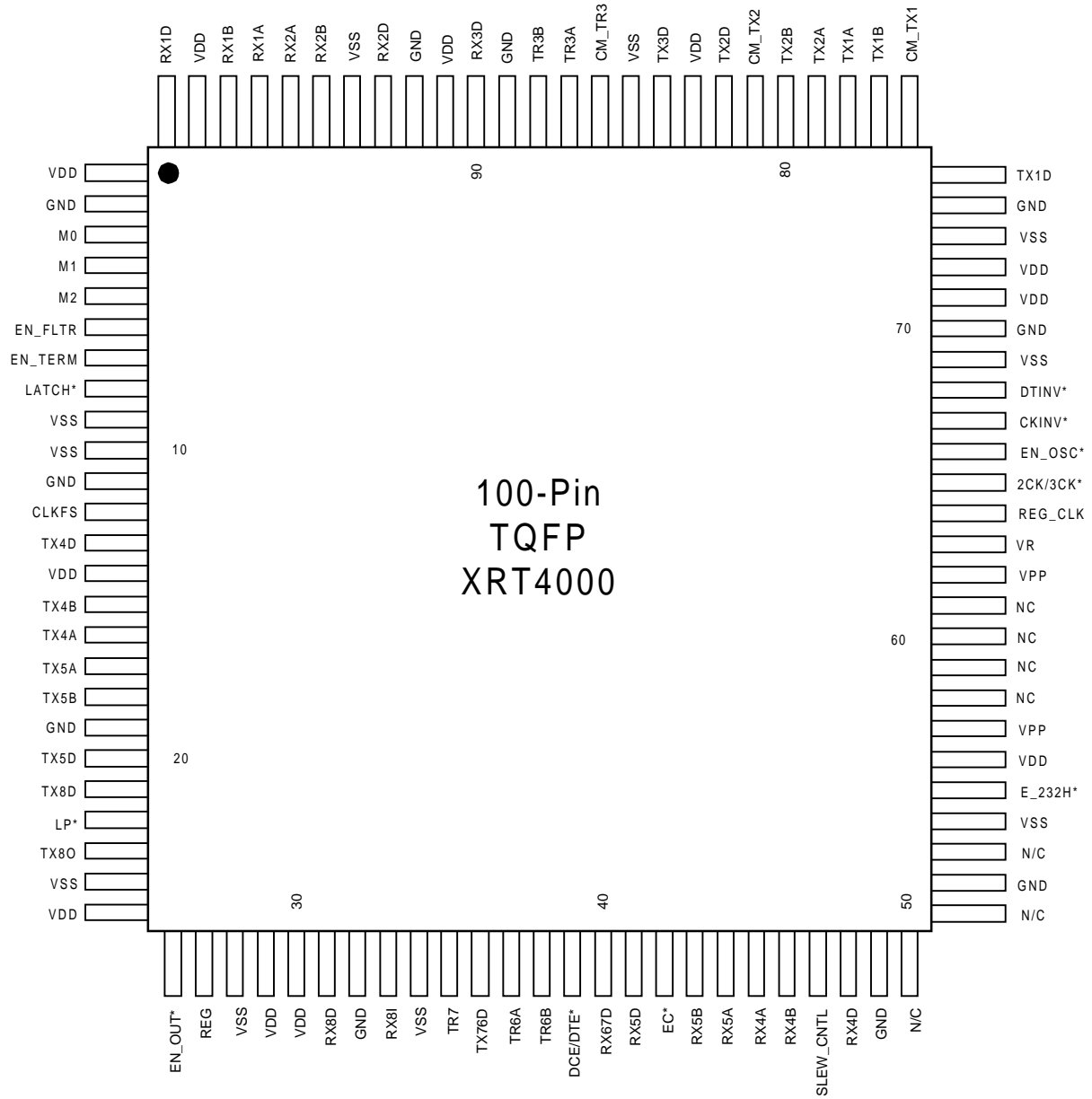


Figure 5. XRT4000 Control Block

Note: Signals without pin numbers having names identical to those with pin numbers are CMOS level-shifted versions of TTL-compatible input signals.

PIN CONFIGURATION



PIN DESCRIPTION

Pin #	Symbol	DTE Mode	DCE Mode	Type	Function
1	VDD				Digital VDD for Receiver 1 - Connect to +5V
2	GND				Digital GND for Receiver 1
3	M0			I	Mode Control - Mode Select Input 0; Internal 20KΩ pull-up
4	M1			I	Mode Control - Mode Select Input 1; Internal 20KΩ pull-up
5	M2			I	Mode Control - Mode Select Input 2; Internal 20KΩ pull-up
6	EN_FLTR			I	Enable Glitch Filter on Receiver 4, 5, 6, 7, 8 inputs. Internal 20KΩ pull-down
7	EN_TERM			I	Enable input termination for Receiver 1, 2, 3 in V.11 Mode. Internal 20KΩ pull-down
8	LATCH*			I	Mode Control Input Latch Enable - Logic 0: Changes on M0, 1, 2, EN_FLTR, and EN_TERM pins cause mode changes (input latches in transparent state). Logic 1: Changes on these input pins do not cause mode changes (input latches in latched state). Internal 20KΩ pull-down
9	VSS				Digital VSS for Transmitter 4, 5, 6. Connect to -6V
10	VSS				Analog VSS for bias generation. Connect to -6V
11	GND				Digital GND for Transmitter 7, 8
12	CLKFS			O	Internal Clock Generated - 500kHz
13	TX4D	D_RTS	D_CTS	I	Transmitter 4 - Digital Data Input from equipment
14	VDD				Digital VDD for Transmitter 4, 5, 6; Connect to +5V
15	TX4B	RTSB	CTSB	O	Transmitter 4 - Positive Data Differential Output to line
16	TX4A	RTSA	CTSA	O	Transmitter 4 - Negative Data Differential Output to line
17	TX5A	DTRA	DSRA	O	Transmitter 5 - Negative Data Differential Output to line
18	TX5B	DTRB	DSRB	O	Transmitter 5 - Positive Data Differential Output to line
19	GND				Digital GND for Transmitter 4, 5, 6
20	TX5D	D_DTR	D_DSR	I	Transmitter 5 - Digital Data Input from equipment
21	TX8D	D_RL	D_RI	I	Transmitter 8 - Digital Data Input from equipment
22	LP*			I	Loopback Enable - Active low; Logic 0: Loopback enabled. Logic 1: Loopback disabled. Internal 20KΩ pull-up
23	TX8O	RLA	RIA	O	Transmitter 8 - Single Ended Data Output to line
24	VSS				Digital VSS for Transmitter 7, 8; Connect to -6V
25	VDD				Digital VDD for Transmitter 7, 8; Connect to +5V
26	EN_OUT*			I	Output Enable for Receiver 5, 8; Internal 20KΩ pull-down
27	REG			I	Register Control - Logic 1: TX5D, TX8D signal values will be latched on the positive edge of REG_CLK, Logic 0: The Register flip-flop is bypassed therefore REG_CLK has no effect on these signals. Internal 20KΩ pull-down
28	VSS				Analog VSS for Receiver 4, 5, 6; Connect to -6V
29	VDD				Analog VDD for Receiver 4, 5, 6; Connect to +5V
30	VDD				Analog VDD for Receiver 7, 8; Connect to +5V
31	RX8D	D_RI	D_RL	O	Receiver 8 - Digital Data Output to equipment
32	GND				Analog GND for Receiver 7, 8
33	RX8I	RIA	RLA	I	Receiver 8 - Single Ended Data Input from line
34	VSS				Analog VSS for Receiver 7, 8; Connect to -6V

Note: An asterisk (*) following a pin symbol indicates that the pin is active low.
Names beginning with D_ are digital signals.
Names ending with B and A are the positive and negative polarities of differential signals respectively.

PIN DESCRIPTION (CONT'D)

Pin #	Symbol	DTE Mode	DCE Mode	Type	Function
35	TR7	LLA	LLA	I/O	DTE Mode - Transmitter 7 - Single Ended Data Output to line DCE Mode - Receiver 7 - Single Ended Data Input from line
36	TX76D	D_LL	D_DCD	I	Digital Input - Refer to Mode Control Table
37	TR6A	DCDA	DCDA	I/O	DTE Mode - Receiver 6 - Negative Data Differential Input from line DCE Mode - Transmitter 6 - Negative Data Differential Output to line
38	TR6B	DCDB	DCDB	I/O	DTE Mode - Receiver 6 - Positive Data Differential Input from line DCE Mode - Transmitter 6 - Positive Data Differential Output to line
39	DCE/DTE*	LOW	HIGH	I	DCE/DTE Select - Selects operating mode. Logic 0: DTE Mode. Logic 1: DCE Mode. Internal 20KΩ pull-up
40	RX67D	D_DCD	D_LL	O	Digital Output - Refer to Mode Control Table
41	RX5D	D_DSR	D_DTR	O	Receiver 5 - Digital Data Output to equipment
42	EC*			I	Enable Clock Mode - Active Low, Logic 0: Echoed Mode. Logic 1: Normal Mode. Internal 20KΩ pull-up
43	RX5B	DSRB	DTRB	I	Receiver 5 - Positive Data Differential Input from line
44	RX5A	DSRA	DTRA	I	Receiver 5 - Negative Data Differential Input from line
45	RX4A	CTSA	RTSA	I	Receiver 4 - Negative Data Differential Input from line
46	RX4B	CTSB	RTSB	I	Receiver 4 - Positive Data Differential Input from line
47	SLEW_CNTL			O	Analog Output - Resistor connected between this pin and Ground controls transmitter output pulse rise and fall time in V.10 or V.28 mode as specified in Figures 15 and 16 respectively.
48	RX4D	D_CTS	D_RTS	O	Receiver 4 - Digital Data Output to equipment
49	GND				Digital GND for Receiver 4, 5, 6
50	NC				
51	NC				
52	GND				Analog GND for bias generator.
53	NC				
54	VSS				Analog Substrate - Connect to -6V
55	E_232H*			I	High Speed RS-232 Enable - Logic 0: Enables high speed RS-232 mode (drives 3KΩ in parallel with 1000pF at 256KHz). Internal 20KΩ pull-up
56	VDD				Analog VDD for bias generation circuit; Connect to +5V
57	VPP				VPP - Connect to +12V supply
58	NC				
59	NC				
60	NC				
61	NC				
62	VPP				VPP - Connect to +12V supply
63	VR			O	VR - Internally generated +2.2V Reference (Sources 20μA maximum)

Note: An asterisk (*) following a pin symbol indicates that the pin is active low.
Names beginning with D_ are digital signals.

Names ending with B and A are the positive and negative polarities of differential signals respectively

Pin #	Symbol	DTE Mode	DCE Mode	Type	Function
64	REG_CLK			I	Clock - For Transmitter 5, 8 input register. Internal 20KΩ pull-up
65	2CK/3CK*			I	2 or 3 Clock Select - Internal 20KΩ pull-up Logic Don't Care: 1 Clock When Mode = X.21 (M2, M1, M0= 011) Logic 0: 3 Clocks When Mode ≠ X.21 (M2, M1, M0 ≠ 011) Logic 1: 2 Clocks When Mode ≠ X.21 (M2, M1, M0 ≠ 011)
66	EN_OSC*			I	Test Oscillator Enable - Active Low; Logic 0: Oscillator Enabled. Logic 1: Oscillator Disabled. Internal 20KΩ pull-up
67	CKINV*			I	Invert Clock - Active Low; Logic 0: Clock Inverted. Logic 1: Clock not Inverted. Internal 20KΩ pull-up
68	DTINV*			I	Invert Data - Active Low; Logic 0: Data Inverted. Logic 1: Data not Inverted. Internal 20KΩ pull-up
69	VSS				Digital VSS for Transmitter 1, 2, 3 Output Drivers; Connect to -6V
70	GND				Digital GND for Transmitter 1, 2, 3 Output Drivers
71	VDD				Digital VDD for Transmitter 1, 2, 3 Output Drivers; Connect to +5V
72	VDD				Analog VDD for Transmitter 1, 2; Connect to +5V
73	VSS				Analog VSS for Transmitter 1, 2; Connect to -6V
74	GND				Analog GND for Transmitter 1, 2 "T" termination
75	TX1D	D_TXD	D_RXD	I	Transmitter 1 - Digital Data Input from equipment
76	CM_TX1			O	AC GND - Transmitter 1 Output Termination center tap in V.35 mode
77	TX1B	TXDB	RXDB	O	Transmitter 1 - Positive Data Differential Output to line
78	TX1A	TXDA	RXDA	O	Transmitter 1 - Negative Data Differential Output to line
79	TX2A	SCTEA	RXCA	O	Transmitter 2 - Negative Data Differential Output to line
80	TX2B	SCTEB	RXCB	O	Transmitter 2 - Positive Data Differential Output to line
81	CM_TX2			O	AC GND - Transmitter 2 Output Termination center tap in V.35 mode
82	TX2D	D_SCTE	D_RXC	I	Transmitter 2 - Digital Data Input from equipment
83	VDD				Digital VDD for Receiver and Transmitter 1, 2, 3; Connect to +5V
84	TX3D	D_X	D_TXC	I	DTE Mode - Input not used DCE Mode - Transmitter 3 - Digital Data Input from equipment
85	VSS				Digital VSS for Receiver and Transmitter 1, 2, 3; Connect to -6V
86	CM_TR3			O	DTE Mode - AC GND - Transmitter 3 Output Termination center tap in V.35 mode DCE Mode - AC GND - Receiver 3 Input Termination center tap in V.35 mode
87	TR3A	TXCA	TXCA	I/O	DTE Mode - Receiver 3 - Negative Data Differential Input from line. DCE Mode - Transmitter 3 - Negative Data Differential Output to line.

Note: An asterisk (*) following a pin symbol indicates that the pin is active low.
Names beginning with D_ are digital signals.

Names ending with B and A are the positive and negative polarities of differential signals respectively

Pin #	Symbol	DTE Mode	DCE Mode	Type	Function
88	TR3B	TXCB	TXCB	I/O	DCE Mode - Transmitter 3 - Positive Data Differential Output to line DTE Mode - Receiver 3 - Positive Data Differential Input from line
89	GND				Analog GND for Receiver 1, 2, 3
90	RX3D	D_TXC	D_X	O	DTE Mode - Receiver 3- Digital Data Output to equipment DCE Mode - Not used
91	VDD				Digital VDD for Receiver 2, 3; Connect to +5V
92	GND				Digital GND for Receiver 2, 3
93	RX2D	D_RXC	D_SCTE	O	Receiver 2 - Digital Data Output to equipment
94	VSS				Analog VSS for Receiver 1, 2, 3; Connect to -6V
95	RX2B	RXCB	SCTEB	I	Receiver 2 - Positive Data Differential Input from line
96	RX2A	RXCA	SCTEA	I	Receiver 2 - Negative Data Differential Input from line
97	RX1A	RXDA	TXDA	I	Receiver 2 - Negative Data Differential Input from line
98	RX1B	RXDB	TXDB	I	Receiver 2 - Positive Data Differential Input from line
99	VDD				Analog VDD for Receiver 1, 2, 3; Connect to +5V
100	RX1D	D_RXD	D_TXD	O	Receiver 1 - Digital Data Output to equipment

Note: An asterisk (*) following a pin symbol indicates that the pin is active low.

Names beginning with D_ are digital signals.

Names ending with B and A are the positive and negative polarities of differential signals respectively.

ELECTRICAL CHARACTERISTICS

Test Conditions: VDD = 5V, VSS = -6V, VPP = 12V (all ± 5%), TA = 25°C

Sybol	Parameter	Min	Typ	Max	Unitd	Interface			
						M0	M1	M2	
Supply Currents									
I _{DD}	VDD Supply Current (DCE Mode, All Digital Pins=GND or VDD)		20		mA	0	0	0	V.10, No Load
			90		mA	0	0	0	V.10, Full Load
			20		mA	1	0	0	EIA-530A, No Load
			160		mA	1	0	0	EIA-530A, Full Load
			55		mA	0	0	1	V.35, No Load on V.28 Drivers
			55		mA	0	0	1	V.35, Full Load on V.28 Drivers
			16		mA	0	1	1	RS232, No Load
			16		mA	0	1	1	RS232, Full Load
			2		mA	1	1	1	Power Down Mode
I _{SS}	VSS Supply Current (DCE Mode, All Digital Pins=GND or VDD)		30		mA	0	0	0	V.10, No Load
			90		mA	0	0	0	V.10, Full Load
			30		mA	1	0	0	EIA-530A, No Load
			50		mA	1	0	0	EIA-530A, Full Load
			45		mA	0	0	1	V.35, No Load on V.28 Drivers
			55		mA	0	0	1	V.35, Full Load on V.28 Drivers
			16		mA	0	1	1	RS232, No Load
			30		mA	0	1	1	RS232, Full Load
			2		mA	1	1	1	Power Down Mode
I _{PP}	VPP Supply Current (DCE Mode, All Digital Pins = GND or VDD)		10		mA	0	0	0	V.10, No Load
			10		mA	0	0	0	V.10, Full Load
			10		mA	1	0	0	EIA-530A, No Load
			10		mA	1	0	0	EIA-530A, Full Load
			10		mA	0	0	1	V.35, No Load on V.28 Drivers
			20		mA	0	0	1	V.35, Full Load on V.28 Drivers
			10		mA	0	1	1	RS232, No Load
			25		mA	0	1	1	RS232, Full Load
			10		mA	1	1	1	Power Down Mode

Note 1: Absolute Maximum Ratings are those beyond which the safety of a device may be impaired.

Note 2: All currents into device pins are positive; all currents out of device are negative. All voltages are referenced to device ground unless otherwise specified.

ELECTRICAL CHARACTERISTICS (CONT'D)

Test Conditions: VDD = 5V, VSS = -6V, VPP = 12V (all ± 5%), TA = 25°C

Symbol	Parameter	Min	Typ	Max	Units	Conditions
Logic Inputs and Outputs						
V _{IH}	Logic Input High Voltage	2			V	
V _{IL}	Logic Input Low Voltage			0.8	V	
I _{IN}	Logic Input Current			±250	μA	With 20kΩ internal pull-up/down resistor
V _{OH}	Output High Voltage	3	4.5		V	IO = -4mA
V _{OL}	Output Low Voltage		0.3	0.8	V	IO = 4mA
I _{OSR}	Output Short-Circuit Current	-60		60	mA	0V ≤ VO ≤ VDD
I _{OZR}	Three-State Output Current	0	±1		μA	M0 = M1 = M2 = VDD 0V ≤ VO ≤ VDD
V.11 Driver						
V _{OD}	Differential Output Voltage	±2	5		V	Open Circuit RL = 50Ω (Figure 6)
ΔV _{OD}	Change in Magnitude of Differential Output Voltage			0.2	V	RL = 50Ω (Figure 6)
V _{OC}	Common Mode Output Voltage			3.0	V	RL = 50Ω (Figure 6)
ΔV _{OC}	Change in Magnitude of Common Mode Output Voltage		0.2		V	RL = 50Ω (Figure 6)
I _{SS}	Short-Circuit Current			±150	mA	VO = GND
I _{OZ}	Output Leakage Current		±0.01	±100	μA	-0.25V ≤ VO ≤ 0.25V, Power Off or Driver Disabled
t _r , t _f	Rise or Fall Time	4	13	25	ns	(Figures 7, 11)
T _{PLH}	Input to Output	50	70	110	ns	(Figures 7, 11)
T _{PHL}	Input to Output	50	70	110	ns	(Figures 7, 11)
Δt	Inp. to Out. Difference, T _{PLH} - T _{PHL}	0	5	15	ns	(Figures 7, 11)
T _{SKEW}	Output to Output Skew		5		ns	(Figures 7, 11)

Note 1: Absolute Maximum Ratings are those beyond which the safety of a device may be impaired.

Note 2: All currents into device pins are positive; all currents out of device are negative. All voltages are referenced to device ground unless otherwise specified.

ELECTRICAL CHARACTERISTICS (CONT'D)
Test Conditions: VDD = 5V, VSS = -6V, VPP = 12V (all ± 5%), TA = 25°C

Symbol	Parameter	Min	Typ	Max	Units	Conditions
V.11 Receiver						
V_{TH}	Input Threshold Voltage	-0.2		0.2		$-7V \leq V_{CM} \leq 7V$
ΔV_{TH}	Input Hysteresis		35	60	mV	$-7V \leq V_{CM} \leq 7V$
I_{IN}	Input Current (A, B)		±1	±1.5	mA	$-10V \leq V_{A,B} \leq 10V$
R_{IN}	Input Impedance	9	10	11	kΩ	$-10V \leq V_{A,B} \leq 10V$
t_r, t_f	Rise or Fall Time		20		ns	(Figures 7, 12)
T_{PLH}	Input to Output	50	80	120	ns	(Figures 7, 12)
T_{PHL}	Input to Output	50	80	120	ns	(Figures 7, 12)
Δ_t	Inp. to Out. Difference, T _{PLH} - T _{PHL}	0	5	15	ns	(Figures 7, 12)
V.35 Driver						
V_{OD}	Differential Output Voltage	±0.44	±0.55	±0.66	V	With Load, (Figure 12)
I_{OH}	Transmitter Output High Current	-12	-11	-10	mA	$V_{A,B} = 0V$
I_{OL}	Transmitter Output Low Current	10	11	12	mA	$V_{A,B} = 0V$
I_{OZ}	Transmitter Output Leakage Current		±0.01	±100	μA	$-0.25 \leq V_{A,B} \leq 0.25V$
t_r, t_f	Rise or Fall Time		5		ns	(Figures 8, 11)
T_{PLH}	Input to Output	25	55	85	ns	(Figures 8, 11)
T_{PHL}	Input to Output	25	55	85	ns	(Figures 8, 11)
Δ_t	Inp. to Out. Difference, T _{PLH} - T _{PHL}	0	5	15	ns	(Figures 8, 11)
T_{SKEW}	Output to Output Skew		5		ns	(Figures 8, 11)
V.35 Receiver						
V_{TH}	Differential Input Threshold Volt.	-0.2		0.2	V	$-2V = (V_A + V_B)/2 = 2V$ (Figure 8)
ΔV_{TH}	Input Hysteresis		35	60	mV	$-2V = (V_A + V_B)/2 = 2V$ (Figure 8)
I_{IN}	Input Current (A,B)		±60		mA	$-10V = V_A, B = 10V$
R_{IN}	Input Impedance (A, B)		175		Ω	$-10V = V_A, B = 10V$
t_r, t_f	Rise or Fall Time		20		ns	(Figures 8, 12)
T_{PLH}	Input to Output		80	120	ns	(Figures 8, 12)
T_{PHL}	Input to Output		100	120	ns	(Figures 8, 12)
Δt	Input to Output Difference, T _{PLH} - T _{PHL}		5	15	ns	(Figures 8, 12)

Note 1: Absolute Maximum Ratings are those beyond which the safety of a device may be impaired.

Note 2: All currents into device pins are positive; all currents out of device are negative. All voltages are referenced to device ground unless otherwise specified.

ELECTRICAL CHARACTERISTICS (CONT'D)

Test Conditions: VDD = 5V, VSS = -6V, VPP = 12V (all ± 5%), TA = 25°C

Symbol	Parameter	Min	Typ	Max	Units	Conditions
V.10 Driver						
V _O	Output Voltage	±4.0 ±3.6		±6.0	V	Open Circuit, RL = 3.9k RL = 450Ω (Figure 9)
I _{SS}	Short-Circuit Current			±100	mA	VO = GND
I _{OZ}	Input Leakage Current		±0.1	±100	μA	-0.25 ≤ VO ≤ 0.25V, Power Off or Driver Disabled
t _r , t _f	Rise or Fall Time	0	5		μs	(Figures 9, 13), RL = 450Ω, CL = 100pF RSLEW_CNTL = 10k
T _{PLH}	Input to output		5		μs	(Figures 9, 13), RL = 450Ω, CL = 100pF RSLEW_CNTL = 10k
T _{PHL}	Input to output		5		μs	(Figures 9, 13), RL = 450Ω, CL = 100pF RSLEW_CNTL = 10k
V.10 Receiver						
V _{TH}	Receiver Input Threshold Voltage	-0.2		0.2	V	
AV _{TH}	Receiver Input Hysteresis		35	60	mV	
I _{IN}	Receiver Input Current		±1	±1.5	mA	-10 ≤ VA ≤ 10V
R _{IN}	Receiver Input Impedance	9	10	11	kΩ	-10 ≤ VA ≤ 10V
t _r , t _f	Rise or Fall Time		20		ns	(Figures 10, 14)
T _{PLH}	Input to Output		100		ns	(Figures 10, 14)
T _{PHL}	Input to Output		100		ns	(Figures 10, 14)
V.28 Driver						
V _O	Output Voltage	±5	±5.5	±6	V	Open Circuit RL = 3k (Figure 9)
I _{SS}	Short-Circuit Current			±100	mA	VO = GND
I _{OZ}	Input Leakage Current		±0.01	±100	μA	-0.25 ≤ VCM ≤ 0.25V, Power Off or Driver Disabled
SR	Slew Rate	4.0		30.0	V/μs	(Figures 9, 13), RL = 3k, CL = 2500pF
T _{PLH}	Input to output		2	4	μs	(Figures 9, 13), RL = 3k, CL = 2500pF
T _{PHL}	Input to output		2	4	μs	(Figures 9, 13), RL = 3k, CL = 2500pF
V.28 Receiver						
V _{THL}	Input Low Threshold Voltage		1.4	0.8	V	
V _{TLH}	Input High Threshold Voltage	2.0	1.4		V	
AV _{TH}	Receiver Input Hysteresis	0.1	0.4	1.0	V	
R _{IN}	Receiver Input Impedance	3	5	7	kΩ	-15 ≤ VA ≤ 15V
t _r , t _f	Rise or Fall Time		20		ns	(Figures 10, 14)
T _{PLH}	Input to Output		120		ns	(Figures 10, 14)
T _{PHL}	Input to Output		180		ns	(Figures 10, 14)

The following tests circuits and timing diagrams are referenced in the preceding Electrical Characteristics Tables.

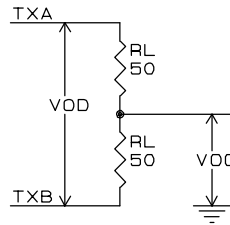


Figure 6. RS422 Driver Test Circuit

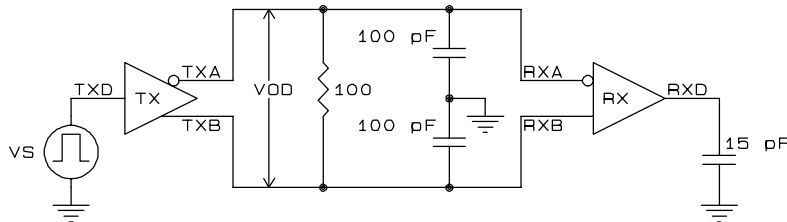


Figure 7. RS422 Driver/Receiver AC Test Circuit

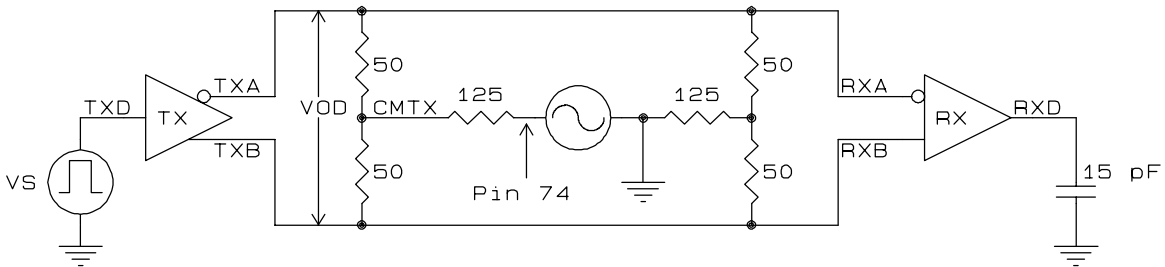


Figure 8. V.35 Driver/Receiver AC Test Circuit (TX1/RX1, TX2/RX2 Only)

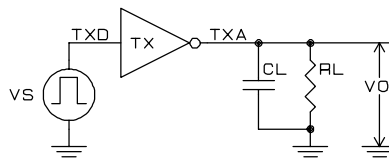


Figure 9. V.10/V.28 Driver Test Circuit

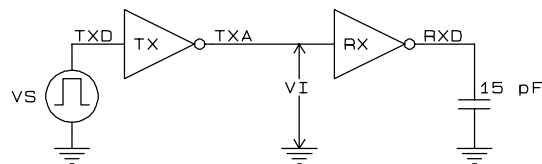


Figure 10. V.10/V.28 Receiver Test Circuit

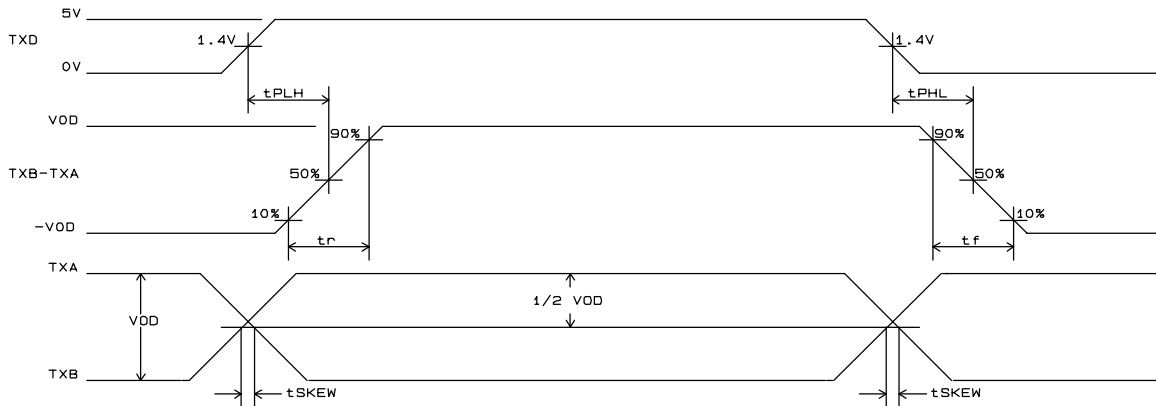


Figure 11. V.11, V.35 Driver Propagation Delays

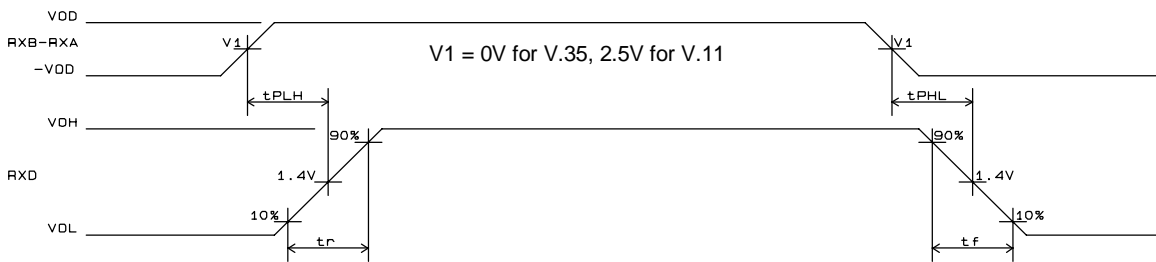


Figure 12. V.11, V.35 Receiver Propagation Delays

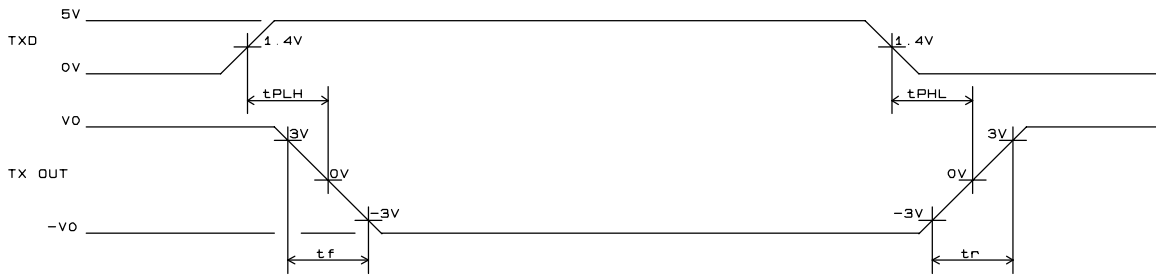


Figure 13. V.10, V.28 Driver Propagation Delays

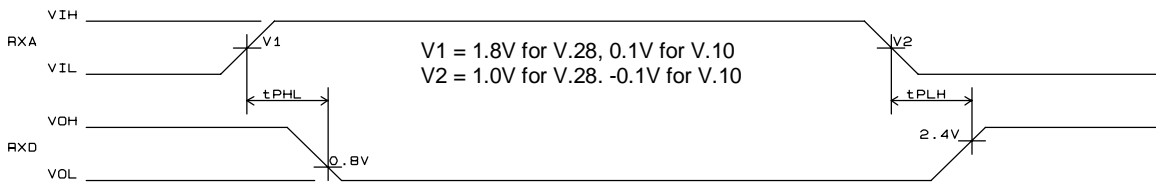


Figure 14. V.10, V.28 Receiver Propagation Delays

SYSTEM DESCRIPTION

It is important to describe the difference between an electrical specification and a physical interface specification. An electrical specification defines the electrical characteristics of a transmitter or receiver. These include voltage, current, impedance levels, rise/fall times and other similar parameters. Popular electrical interfaces are V.10, V.11, V.35 and V.28. A serial physical interface specification, however, describes an interface in its entirety. This description includes the names and functions of all involved signals, the electrical parameters of each of the signals, and the connector type. Popular serial interface types include V.35, RS232 (V.28), RS449, EIA-530(A), X.21, and V.36. The XRT4000 contains a sufficient number of receivers, transmitters and transceivers to transport all of the signals required for a physical serial interface. It has control circuitry that can configure each driver and receiver to the appropriate electrical levels required by the specification for the selected serial interface.

Figure 1 is a top level block diagram that shows how the eight receivers and eight transmitters present in the XRT4000 are grouped in three modules named RTMOD1, RTMOD2, and RTMOD3. A fourth module labeled CONTROL programs these receivers and transmitters with the appropriate electrical levels for operation with most popular standard serial interfaces such as V.35, RS232, RS449, EIA-530(A), X.21, and V.36. These interfaces are fully compliant with international NET1 and NET2 specifications.

Figures 2, 3, 4, and 5 are a set of functional block diagrams that give more detailed information about the four modules shown in the top-level diagram. The eight receivers and transmitters are grouped in three different categories according to the type of signals transmitted or received. The categories are denoted as RTMOD1 (Figure 2), RTMOD2 (Figure 3), RTMOD3 (Figure 4), and CONTROL (Figure 5).

RTMOD1 Block

RTMOD1 is intended for the high speed data and clock signals of a selected interface. This block contains receivers RX1 and RX2, transmitters TX1 and TX2, and bi-directional transceiver TR3 which is composed of TX3 and RX3. All of these devices may be programmed with the electrical levels required for V.35, V.11, V.10, or V.28 operating modes. In V.35 mode, each transmitter has a common mode pin that is connected to the center of the internal termination. This pin should be bypassed to ground with an external capacitor in order to provide the best possible driver output stage balance. In a system application, the TX1-RX1 pair and TX2-RX2 pair handle the TXD-RXD and TXC-RXC high-speed interface signals respectively. Transceiver TR3 is dedicated to the SCTE signal for both DCE and DTE modes of operation. It functions as a receiver for the DTE mode and as a transmitter during the DCE mode.

RTMOD2 Block

RTMOD2 contains receivers RX4 and RX5, transmitters TX4 and TX5, and transceiver TR6 which is composed of TX6 and RX6. These devices may be programmed with the electrical levels required for V.11, V.10, or V.28 operating modes. The RX4-TX4 pair are dedicated for RTS and CTS signals while RX5-TX5 are intended for DTR and DSR signals. Transceiver TR6 handles the DCD signal which requires a transmitter in the DCE and a receiver in-the-DTE mode.

RTMOD3 Block

RTMOD3 contains transceiver TR7, which is composed of TX7 and RX7, receiver RX8 and transmitter TX8. These devices, which may be programmed with the electrical levels required for V.10, or V.28 operating modes, are intended for the LL, RL and RI signals.

CONTROL Block

The CONTROL block contains the configuration and bias generation circuitry required by RTMOD1, RTMOD2, and RTMOD3. It includes TTL to CMOS level shifters for the control signal inputs which have either an internal 20 k Ω pull-up or pull-down resistor as shown in Figure 5 and as described in the pin description. This block also includes a reference voltage source, bias voltage and current generators, and a slew rate control circuit that is used in the V.10 and V.28 modes. The physical interface configuration is done by three control pins called M0, M1 and M2. The logic levels present on these three inputs are internally latched during a positive transition of the LATCH* signal. The functions of the eight possible combinations of M0, M1 and M2 are described in Tables 1 and 2.

Power Requirements

Table 3, which contains the maximum and minimum peak supply currents for each of the 3 supply voltages, provides the information necessary for determining a system power budget. Notice that maximum current is required in the V.11 mode when TX1, TX2, and TX3 are terminated with 100 Ω . Minimum current consumption occurs when none of the transmitters are terminated and the device is not in the V.35 mode.

Receiver and Transmitter Specifications

Tables 4 and 5, which are for the XRT4000 receiver and transmitter sections respectively, summarize the electrical requirements for V.35, V.11, V.10, and RS232 interfaces. These tables provide virtually all of the electrical information necessary to describe these 4 interfaces in a concise form.

CONTROL			DRIVER/RECEIVER PAIR AND CORRESPONDING SIGNAL NAME - DTE MODE														INTERFACE		
INPUTS			TX1	RX1	TX2	RX2	TX3	RX3	TX4	RX4	TX5	RX5	TX6	RX6	TX7	RX7	TX8	RX8	STANDARD
M2	M1	M0	TXD	RXD	SCTE	RXC	-	TXC	RTS	CTS	DTR	DSR	-	DCD	LL	TM	RL	RI	
0	0	0	10	10	10	10	Off	10	10	10	10	Off	10	10	Off	10	10	10	V.10
0	0	1	11	11	11	11	Off	11	11	11	11	Off	11	11	10	Off	10	10	EIA-530-A
0	1	0	11	11	11	11	Off	11	11	11	11	Off	11	11	10	Off	10	10	EIA-530, RS449, V.36
0	1	1	11	11	11	11	Off	11	11	11	11	Off	Off	Off	Off	Off	Off	Off	X.21
1	0	0	35	35	35	35	Off	35	28	28	28	28	Off	28	28	Off	28	28	V.35
1	0	1	11	11	11	11	Off	11	11	11	11	Off	11	11	10	Off	10	10	RESERVED
1	1	0	28	28	28	28	Off	28	28	28	28	Off	28	28	28	Off	28	28	RS232
1	1	1	Off	Off	Off	Off	Off	Off	Off	Off	Off	Off	Off	Off	Off	Off	Off	Off	POWER DOWN

Table 1. DTE Mode - Control Programming for Driver and Receiver Mode Selection

CONTROL			DRIVER/RECEIVER PAIR AND CORRESPONDING SIGNAL NAME - DCE MODE														INTERFACE		
INPUTS			TX1	RX1	TX2	RX2	TX3	RX3	TX4	RX4	TX5	RX5	TX6	RX6	TX7	RX7	TX8	RX8	STANDARD
M2	M1	M0	RXD	TXD	RXC	SCTE	TXC	-	CTS	RTS	DSR	DTR	DCD	-	TM	LL	RI	RL	
0	0	0	10	10	10	10	10	Off	10	10	10	10	10	Off	Off	10	10	10	V.10
0	0	1	11	11	11	11	11	Off	11	11	10	10	11	Off	Off	10	10	10	EIA-530-A
0	1	0	11	11	11	11	11	Off	11	11	11	11	11	Off	Off	10	10	10	EIA-530, RS449, V.36
0	1	1	11	11	11	11	11	Off	11	11	11	11	OFF	Off	Off	Off	Off	Off	X.21
1	0	0	35	35	35	35	35	Off	28	28	28	28	28	Off	Off	28	28	28	V.35
1	0	1	11	11	11	11	11	Off	11	11	11	11	11	Off	Off	10	10	10	RESERVED
1	1	0	28	28	28	28	28	Off	28	28	28	28	28	Off	Off	28	28	28	RS232
1	1	1	Off	Off	Off	Off	Off	Off	Off	Off	Off	Off	Off	Off	Off	Off	Off	Off	POWER DOWN

Table 2. DCE Mode - Control Programming for Driver and Receiver Mode Selection

Note: For the above tables:

Table Representation	Corresponding Electrical Level	Type Signal
35	V.35	Differential
11	V.11	Differential
10	V.10	Single Ended
28	V.28/RS232	Single Ended

Supply	Maximum Current TX1-TX3 Drivers Terminated with 100Ω in V.11 Mode	Minimum Current None of the Drivers Terminated (Non-V.35 Mode)
VDD (+5V)	160 mA	15 mA
VSS (-6V)	120 mA	20 mA
VPP (+12V)	40 mA	10 mA

Table 3. Maximum and Minimum Peak Supply Currents

	V.35	V.11	V.10	RS232
Single-Ended or Differential	DIFF	DIFF	Single-Ended	Single-Ended
Max Signal Level	± 660 mV	± 6 V	± 6 V	± 15 V
Min Signal Level	± 440 mV	± 300 mV	± 300 mV	± 3 V
Common-Mode Voltage	± 2 V	± 7 V	Note 1	N/A
Max Signal Peak Operation	± 2.66 V	± 10 V	± 10 V	± 15 V
Max Signal Peak no Damage	N/A	± 12 V	± 12 V	± 25 V
Rin Differential	100 Ω±10%	Note 2	N/A	N/A
Rin Common-Mode	150 Ω±15%	N/A	N/A	N/A
DC Rin Each Input to Ground	> 8K Ω	> 8K Ω	> 8K Ω	3K Ω < DC Rin < 7 K Ω
Clock Frequency	20 MHz	20MHz	120KHz	256KHz

Table 4. Receiver Specifications

Note 1: ± 7 V on Receivers 1-6, not applicable for Receivers 7-8

Note 2: 100 to 150 Ohms terminated.

	V.35	V.11	V.10	RS232
Single-Ended or Differential	DIFF	DIFF	Single-Ended	Single-Ended
Max Signal Level	± 660 mV RL= 100Ω	V _O < 6 V RL=3900Ω	4 < V _O < 6 V RL=3900Ω	± 6 V 3000Ω < RL < 7000Ω
Min Signal Level	± 440 mV RL= 100Ω	2V < V _T >0.5 V _O RL=100Ω	V _T > 0.9 V _O RL= 450Ω	± 5 V 3000Ω < RL < 7000Ω
Offset Voltage	N/A	V _{os} < 3V	N/A	N/A
Rout Differential	100Ω ± 10%	100Ω	N/A	N/A
Rout Common-Mode	150Ω ± 15%	N/A	N/A	N/A
Rout Power Off	N/A	N/A	N/A	> 300Ω
Output Slew Rate/Tr,Tf	20 ns	20 ns	1ms	< 30 V/μs
Clock Frequency	20 MHz	20 MHz	120 KHz	256 KHz

Table 5. Transmitter Specification

V.10/V.28 Output Pulse Rise and Fall Time

SLEW_CNTL (pin 47) is an analog output that controls transmitter pulse rise and fall time for the V.10 and V.28 modes. Connecting a resistor, RSLEW, having a value between 0 and 200 kΩ from this pin to ground controls the rise/fall times for V.10 and the slew rate for V.28 as shown in Figures 15 and 16 respectively.

High-Speed RS232 Mode

When E_232H* (pin 55) is set to logic 0 in RS232 mode, the transmitters are put in a special high-speed RS232 mode that can drive loads of 3000Ω in parallel with 1000pF at speeds up to 256 KHz.

Power Down Mode

All transmitters and receivers may be powered down by either setting the pins for control bits M0, M1 and M2 to logic 1 or by leaving them open.

Internal Cable Terminations

XRT4000 has fully integrated receiver and transmitter cable terminations for high speed signals (RXD, TXD, RXC, TXC, SCTE).

Therefore, no external resistors and/or switches are necessary to implement the proper line termination. The schematic diagrams given in Figures 17 and 18 show the effective receiver and transmitter terminations respectively for each mode of operation. When a specific electrical interface is selected by M0, M1 and M2, the termination required for that interface is also automatically chosen. The XRT4000 eliminates double termination problems and makes point to multipoint operation possible in the V.11 mode by providing the option for disabling the internal input termination on high speed receivers.

Glitch Filters

Occasional extraneous glitches on control/handshake signal inputs such as CTS, RTS, DTR and DSR can have damaging effects on the integrity of a connection. The XRT4000 is equipped with lowpass filters on the input of each of the receivers for the control and handshake signals. These filters eliminate glitches which are narrower than 10μs. The user may disable these filters by setting EN_FLTR to logic 0.

Clock Inversion

Transmit Clock signal, TXC, has an inversion option for both DTE and DCE modes of operation. The user can invert the polarity of the TXC by setting CKINV* to logic 0. In the DTE mode, the incoming TXC signal from the line will be inverted before it is routed to the system. In DCE mode, the incoming TXC signal from the system will be inverted before it is sent over the line toward the remote DTE. This feature allows a phase correction when there is a long cable delay between the DTE and DCE. This correction may be necessary in order to obtain the desired clock-to-data phase relationship.

Data Inversion

Similar to TXC, there is a provision in the XRT4000 to invert the TXD and RXD signals. Once the Setting the DTINV* input to logic 0 enables an inverter at the output of RX1 and input of TX1.

Registered Mode of Operation

The XRT4000 has integrated registers allowing users the option of clocking the values of DSR/DTR and RL/RI signals. This can be done if the registered mode of operation is selected (REG=1). In this case, the values of these signals will be latched on the positive edge of the REG_CLK signal. In the normal mode (REG = 0), the registers on the path of the DSR/DTR and RL/RI are bypassed and REG_CLK will have no effect.

Similarly, the outputs of the receivers (RX5 and RX8) can be disabled by setting the EN_OUT* input high. This allows these drivers to be connected directly to a microcontroller bus since they can be enabled during read cycles and disabled in other times.

This feature eliminates the need for external registers when a microcontroller is used to control (reading and writing) DSR/DTR and RL/RI signals.

Loopbacks

XRT4000 contains internal logic to place the interface in a loopback mode for test purposes. The loopback feature is supported in both DTE and DCE modes of operation and it can be invoked by setting the LP* input at logic 0. Possible loopback implementations are depicted in the scenarios located at the end of this document.

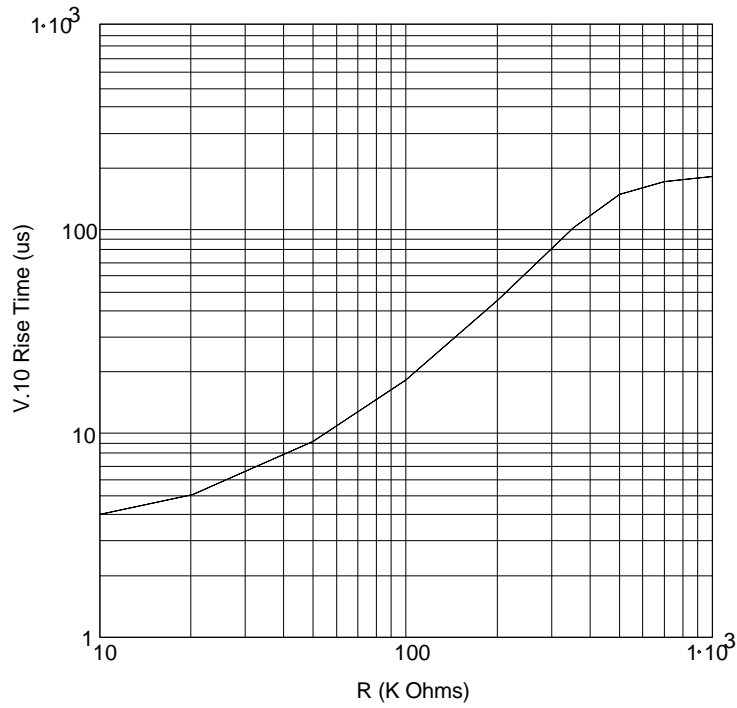


Figure 15. V.10 Rise Time as a Function of RSLEW

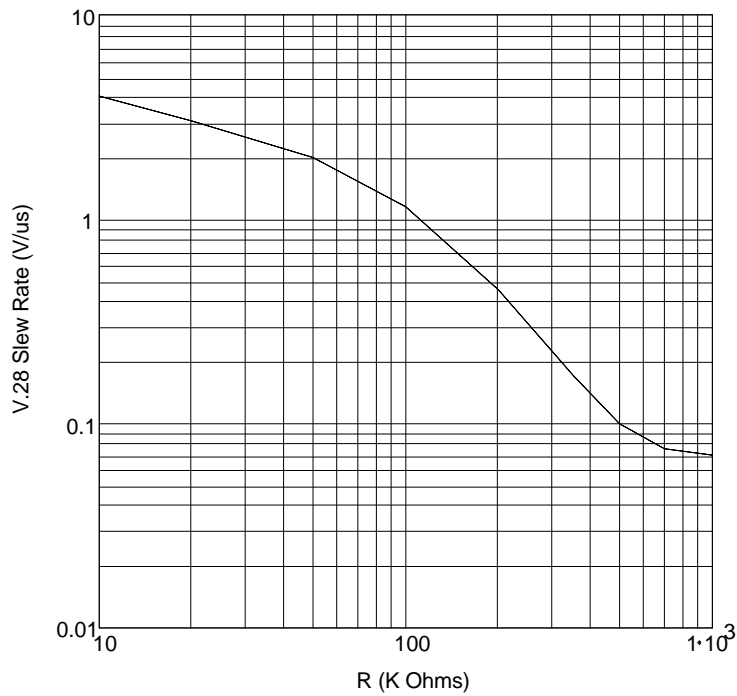


Figure 16. V.28 Slew Rate Over ± 3 V Output Range with 3 kΩ in Parallel with 2500 pF Load as a Function of RSLEW

Echoed Clock

The XRT4000 can interface with serial controllers which have two or three clock pins. Furthermore, it can handle interfaces (e.g. X.21) which have only one clock. Information contained in the Pin Description for the EC* and 2CK/3CK* pins shows how the user can select the number of available clocks by applying the appropriate logic levels to these inputs.

Self-contained DTE Loopback Testing

Equipment having a DTE interface obtains timing information from another interface (DCE). RXC and TXC are clocks which are sourced by the DCE. A DTE device uses them to clock data in/out of the interface. The SCTE clock is generated by DTE using TXC or RXC which are originated in the DCE. In summary, a DTE equipment is a timing slave.

Occasionally it is beneficial to conduct testing of a DTE interface without connecting it to its DCE counterpart. Lack of a synchronization source will make the standalone testing of DTE equipment not possible. The XRT4000 has an on-board oscillator which can be used as a timing source while the DCE connection is missing. This feature allows users to conduct loopback testing on isolated equipment with a DTE interface.

This mode is invoked if EN_OSC* is set to logic 0. This connects an internally generated clock signal (32 kHz - 64 kHz) to the RX2D/RX3D output. A standalone system test may be performed by combining this feature with the appropriate loopback mode.

Operational Scenarios

Visualizing features such as clock/data inversion, echoed clock, and loopbacks, in DTE and DCE modes makes configuring the XRT4000 a non-trivial task. A series of 48 system level application diagrams located at the end of the data sheet called "Scenarios" assist users in understanding the benefits of these different features. The internal XRT4000 connections required for a particular scenario are made through MUX1 and MUX2 that are shown on the block diagrams given in Figures 2 and 3 respectively. Table 6 contains the signal routing information versus control input logic level for MUX1 and Table 7 contains similar information for MUX2.

APPLICATIONS INFORMATION

Traditional interfaces either require different transmitters and receivers for each electrical standard, or use complicated termination switching methods to change modes of operation. Mechanical switching schemes, which are expensive and inconvenient, include relays, and custom cables with the terminations located in the connectors. Electrical switching circuits using FETs are difficult to implement because the FET must remain off when the signal voltage exceeds the supply voltage and when the interface power is off.

The XRT4000 uses innovative, patented circuit design techniques to solve the termination switching problem. This device includes internal circuitry that may be controlled by software to provide the correct terminations for V.10 (RS423), V.11 (RS422), V.28 (RS232), and V.35 electrical interfaces. The schematic diagrams given in Figures 17 and 18 conceptually show the switching options for the high-speed receiver input and transmitter output terminations respectively. Additionally, Tables 4 and 5 provide a summary of receiver and transmitter specifications respectively for the different electrical modes of operation.

V.10 (RS423) Interface

Figure 19 shows a typical V.10 (RS423) interface. This configuration uses an unbalanced cable to connect the transmitter TXA output to the receiver RXA input. The “B” outputs and inputs that are present on the differential transmitters and receivers contained in the XRT4000 are not used. The system ground provides the signal return path. The receiver input resistance is 10 k Ω nominal and no other cable termination is normally used for the V.10 mode.

V.11 (RS422) Interface

Figure 11 shows a typical V.11 (RS422) interface. This configuration uses a balanced cable to connect the transmitter TXA and TXB outputs to the receiver RXA and RXB inputs respectively. The XRT4000 includes provisions for adding a 125 Ω terminating resistor for the V.11 mode. Although this resistor is optional in

the V.11 specification, it is necessary to prevent reflections that would corrupt signals on high-speed clock and data lines. The differential receiver input resistance without the optional termination is 20 k Ω nominal.

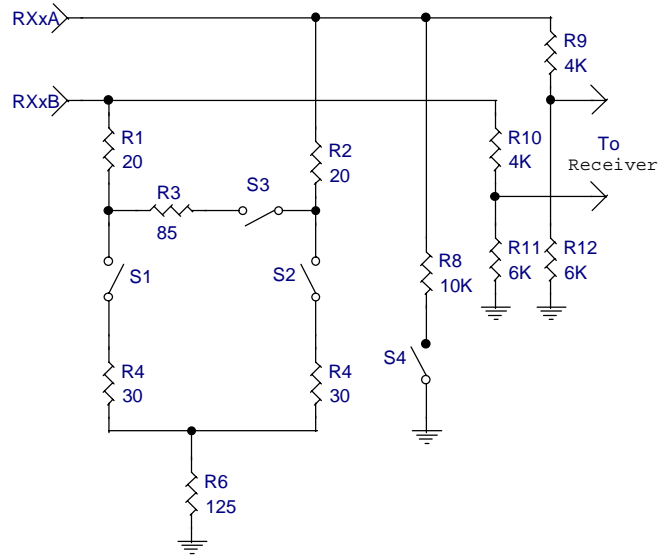
V.28 (RS232) Interface

Figure 19 shows a typical V.28 (RS232) interface. This configuration uses an unbalanced cable to connect the transmitter TXA output to the receiver RXA input. The “B” outputs and inputs that are present on the differential transmitters and receivers contained in the XRT4000 are not used. The system ground provides the signal return path. The receiver “B” input is internally connected to a 1.4 V reference source to provide a 1.4 V threshold. The receiver input resistance is 5 k Ω nominal and no other cable termination is normally used for the V.28 mode.

V.35 Interface

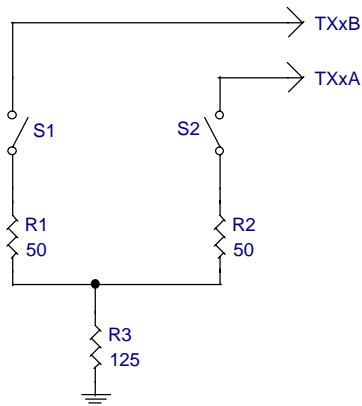
Figure 21 shows a typical V.35 interface. This configuration uses a balanced cable to connect the transmitter TXA and TXB outputs to the receiver RXA and RXB inputs respectively. The XRT4000 internal terminations meets the following V.35 requirements. The receiver differential input resistance is 100 $\Omega \pm 10 \Omega$ and the shorted-terminal resistance (RXA and RXB connected together) to ground is 150 $\Omega \pm 15 \Omega$. The transmitter differential output resistance is 100 $\Omega \pm 10 \Omega$ and the shorted-terminal resistance (TXA and TXB connected together) to ground is 150 $\Omega \pm 15 \Omega$.

The junction of the 3 resistors (CMTX) on the transmit termination is brought out to pins 76 and 81 for TX1 and TX2 respectively. Figure 21 shows how capacitor C having a value of 100 to 1000 pF bypasses this point to ground to reduce common mode noise. This capacitor shorts current caused by differential driver rise and fall time or propagation delay miss-match directly to ground. If it was not present, the flow of this current through the 125 Ω resistor to ground would cause common mode voltage spikes at the TXA and TXB outputs.



Mode	Switches			
	S1	S2	S3	S4
V.35	Closed	Closed	Open	Open
V.11 Terminated	Open	Open	Closed	Open
V.11 Unterminated	Open	Open	Open	Open
V.10	Open	Open	Open	Open
V.28	Open	Open	Open	Open

Figure 17. Receiver Termination



Mode	Switches	
	S1	S2
V.35	Closed	Closed
V.11/V.10/V.28	Open	Open

Figure 18. Transmitter Termination

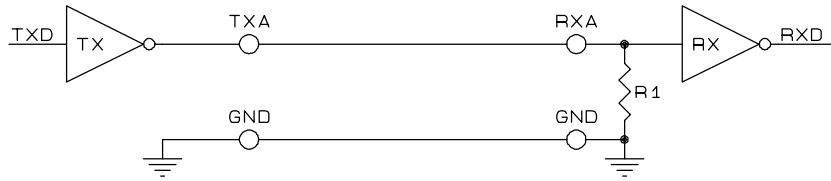


Figure 19. Typical V.10 or V.28 Interface (R1 = 10 KΩ in V.10 and 5 KΩ in V.28)



Figure 20. Typical V.11 Interface (Termination Resistor, R1, is Optional.)

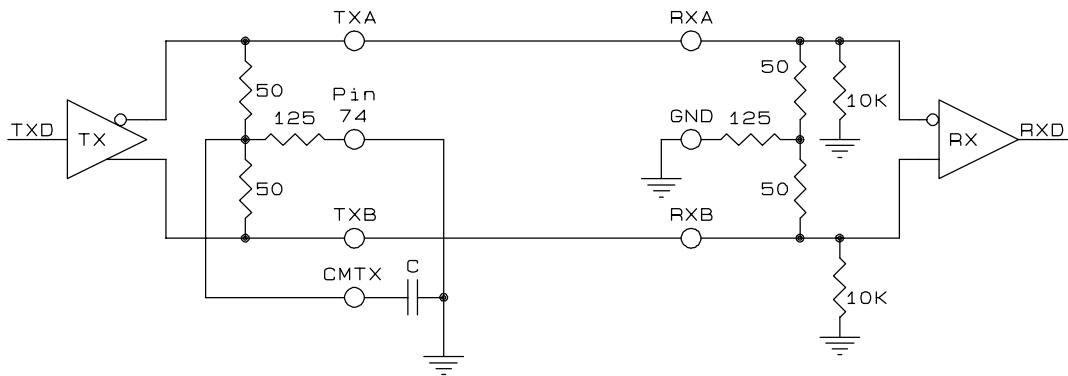


Figure 21. Typical V.35 Interface

Note: All Resistors shown above are internal to the XRT4000.

Scenario Number	Logic Level Applied to Control Input Name/Pin Number							Signal Source for Output Name/Pin Number					
	DCE/DTE*	EC*	2CK/3CK*	LP*	CK INV*	DT INV*	EN _OSC*	RX1D	TX1B-TX1A	RX2D	TX2B-TX2A	RX3D	TR3B-TR3A
	39	42	65	22	67	68	66	100	77,78	93	80,79	90	88,87
1	0	1	0	1	1	1	1	RX1B-RX1A	TX1D	RX2B-RX2A	TX2D	TR3B-TR3A	X
2	1	1	0	1	1	1	1	RX1B-RX1A	TX1D	RX2B-RX2A	TX2D	X	TX3D
3	0	1	0	0	1	1	1	TX1D	RX1B-RX1A	TX2D	RX2B-RX2A	TR3B-TR3A	X
4	1	1	0	0	1	1	1	TX1D	RX1B-RX1A	TX2D	RX2B-RX2A	X	TX3D
5	0	1	0	1	0	1	1	RX1B-RX1A	TX1D	RX2B-RX2A	TX2D	(TR3B-TR3A)*	X
6	1	1	0	1	0	1	1	RX1B-RX1A	TX1D	RX2B-RX2A	TX2D	X	(TX3D)*
7	0	1	0	0	0	1	1	TX1D	RX1B-RX1A	TX2D	RX2B-RX2A	(TR3B-TR3A)*	X
8	1	1	0	0	0	1	1	TX1D	RX1B-RX1A	TX2D	RX2B-RX2A	X	(TX3D)*
9	0	1	1	1	1	1	1	RX1B-RX1A	TX1D	RX2B-RX2A	X	TR3B-TR3A	X
10	1	1	1	1	1	1	1	RX1B-RX1A	TX1D	TX3D	TX2D	X	TX3D
11	0	1	1	0	1	1	1	TX1D	RX1B-RX1A	TX2D	X	TR3B-TR3A	X
12	1	1	1	0	1	1	1	TX1D	RX1B-RX1A	TX2D	TX3D	X	TX3D
13	0	1	1	1	0	1	1	RX1B-RX1A	TX1D	RX2B-RX2A	X	(TR3B-TR3A)*	X
14	1	1	1	1	0	1	1	RX1B-RX1A	TX1D	TX3D	TX2D	X	(TX3D)*
15	0	1	1	0	0	1	1	TX1D	RX1B-RX1A	TX2D	X	(TR3B-TR3A)*	X
16	1	1	1	0	0	1	1	TX1D	RX1B-RX1A	TX2D	TX3D	X	(TX3D)*
17	0	1	X	1	1	1	1	RX1B-RX1A	TX1D	RX2B-RX2A	X	RX2B-RX2A	X
18	1	1	X	1	1	1	1	RX1B-RX1A	TX1D	TX2D	TX2D	X	X
19	0	1	X	0	1	1	1	TX1D	RX1B-RX1A	TX2D	X	TR3B-TR3A	X
20	1	1	X	0	1	1	1	TX1D	RX1B-RX1A	TX2D	RX2B-RX2A	X	X
21	0	1	X	1	0	1	1	RX1B-RX1A	TX1D	RX2B-RX2A	X	(RX2B-RX2A)*	X
22	1	1	X	1	0	1	1	RX1B-RX1A	TX1D	(TX2D)*	TX2D	X	X
23	0	1	X	0	0	1	1	TX1D	RX1B-RX1A	TX2D	X	(RX2B-RX2A)*	X
24	1	1	X	0	0	1	1	TX1D	NOTE 1	TX2D	TX2D	X	X
25	0	0	0	1	1	1	1	RX1B-RX1A	TX1D	RX2B-RX2A	TR3B-TR3A	TR3B-TR3A	X
26	1	0	0	1	1	1	1	RX1B-RX1A	TX1D	RX2B-RX2A	TX3D	X	TX3D
27	0	0	0	0	1	1	1	TX1D	RX1B-RX1A	TR3B-TR3A	RX2B-RX2A	TR3B-TR3A	X
28	1	0	0	0	1	1	1	TX1D	RX1B-RX1A	TX3D	RX2B-RX2A	X	TX3D
29	0	0	0	1	0	1	1	RX1B-RX1A	TX1D	RX2B-RX2A	(TR3B-TR3A)*	(TR3B-TR3A)*	X
30	1	0	0	1	0	1	1	RX1B-RX1A	TX1D	RX2B-RX2A	TX3D	X	(TX3D)*
31	0	0	0	0	0	1	1	TX1D	RX1B-RX1A	(TR3B-TR3A)*	RX2B-RX2A	(TR3B-TR3A)*	X
32	1	0	0	0	0	1	1	TX1D	RX1B-RX1A	TX3D	RX2B-RX2A	X	(TX3D)*
33	0	0	1	1	1	1	1	RX1B-RX1A	TX1D	RX2B-RX2A	X	TR3B-TR3A	X
34	1	0	1	1	1	1	1	RX1B-RX1A	TX1D	TX3D	TX3D	X	TX3D
35	0	0	1	0	1	1	1	TX1D	RX1B-RX1A	TR3B-TR3A	X	TR3B-TR3A	X
36	1	0	1	0	1	1	1	TX1D	RX1B-RX1A	TX3D	TX3D	X	TX3D
37	0	0	1	1	0	1	1	RX1B-RX1A	TX1D	RX2B-RX2A	X	(TR3B-TR3A)*	X
38	1	0	1	1	0	1	1	RX1B-RX1A	TX1D	TX3D	TX3D	X	(TX3D)*
39	0	0	1	0	0	1	1	TX1D	RX1B-RX1A	(TR3B-TR3A)*	X	(TR3B-TR3A)*	X
40	1	0	1	0	0	1	1	TX1D	RX1B-RX1A	TX3D	TX3D	X	(TX3D)*
41	0	0	X	1	1	1	1	RX1B-RX1A	TX1D	RX2B-RX2A	X	RX2B-RX2A	X
42	1	0	X	1	1	1	1	RX1B-RX1A	TX1D	TX3D	TX3D	X	X
43	0	0	X	0	1	1	1	TX1D	RX1B-RX1A	RX2B-RX2A	X	RX2B-RX2A	X
44	1	0	X	0	1	1	1	TX1D	RX1B-RX1A	TX3D	TX3D	X	X
45	0	0	X	1	0	1	1	RX1B-RX1A	TX1D	RX2B-RX2A	X	(RX2B-RX2A)*	X
46	1	0	X	1	0	1	1	RX1B-RX1A	TX1D	(TX3D)*	TX3D	X	X
47	0	0	X	0	0	1	1	TX1D	RX1B-RX1A	RX2B-RX2A	X	RX2B-RX2A	X
48	1	0	X	0	0	1	1	TX1D	NOTE 1	TX3D	TX3D	X	X
	X	X	X	X	X	0	1	INVERT	INVERT	UNCHANGED	UNCHANGED	UNCHANGED	UNCHANGED
	0	1	X	0	X	X	0	UNCHANGED	UNCHANGED	UNCHANGED	UNCHANGED	32-64 kHz	UNCHANGED
	0	0	X	0	X	X	0	UNCHANGED	UNCHANGED	32-64 kHz	UNCHANGED	32-64 kHz	UNCHANGED

Table 6. MUX1 Connection Table

Table entries are inputs to MUX1.
 Column headings are outputs.
 Signal names ending with A or B are analog inputs or outputs.

Signal names ending with D are digital inputs or outputs. * Indicates signal complement. X is don't care.
Note 1: Refer to Figure 22 located on the next page for signal definition.

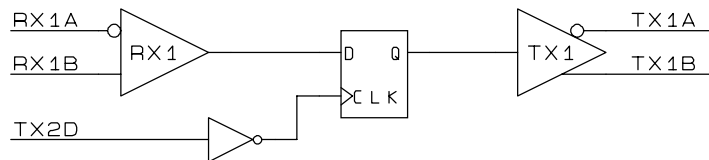


Figure 22. Signal Definition for Scenario Number 48

Scenario Number	Control Input/ Pin Number		Signal Source for Output Name/Pin Number						
	DCE/ DTE*	LP*	RX4D	TX4B-TX4A	RX5D	TX5B-TX5A	RX67D	TR6B-TR6A	TR7
	39	22	48	15,16	41	18,17	40	38,37	35
1	0	0	TX4D	RX4B-RX4A	TX5D	TR6B-TR6A	TX5D	X	TX76D
2	0	1	RX4B-RX4A	TX4D	RX5B-RX5A	TX5D	TR6B-TR6A	X	TX76D
3	1	0	TX4D	RX4B-RX4A	TX76D	RX5B-RX5A	TR7	RX5B-RX5A	X
4	1	1	RX4B-RX4A	TX4D	RX5B-RX5A	TX5D	TR7	TX76D	X

Table 7. MUX2 Connection Table

Table entries are inputs to MUX2. Column headings are outputs.

Signal names ending with A or B are analog inputs or outputs. Signal names ending with D are digital inputs or outputs.

Operating Modes for the XRT4000 Device

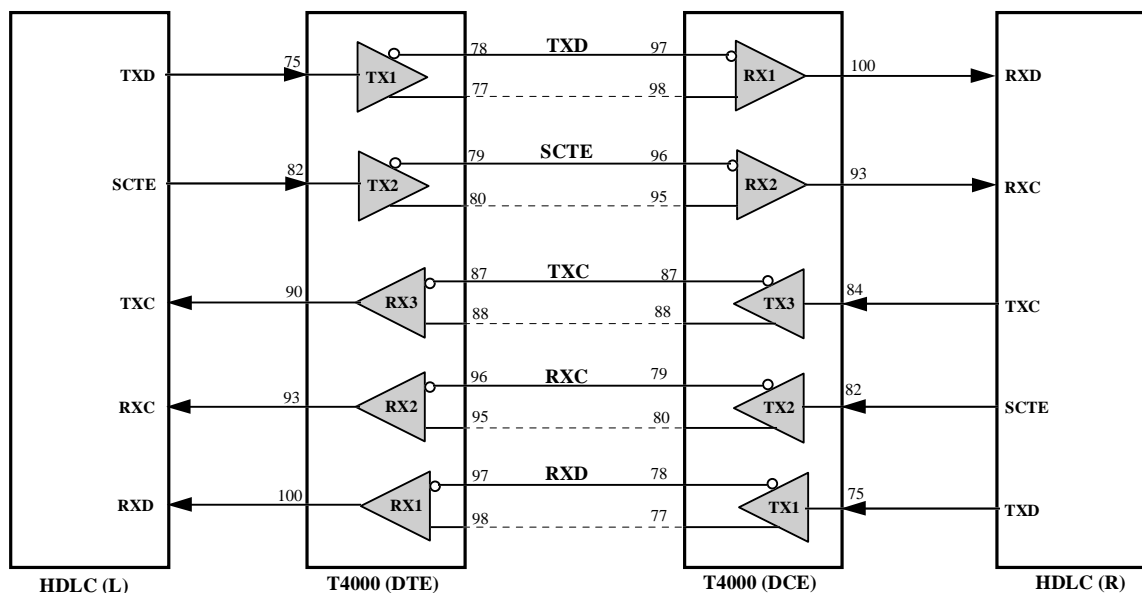
The XRT4000 Multiprotocol Serial Interface device can be configured to operate in a wide variety of modes or “scenarios”. This document illustrates some of these “scenarios” and provides the reader with the following information associated with each of these scenarios.

- Which pins (on the “DCE Mode” XRT4000 and “DTE Mode” XRT4000 devices) are used to propagate various data or clock signals.
- Which signals are to be used when operating the XRT4000 devices in the “differential” or “single-ended” modes.
- How does one configure the “DCE Mode” and “DTE Mode” XRT4000 device to operate in these scenarios.

Notes:

1. The “line” signals are drawn with both a “solid” line and a “dashed” line. Both lines are used to transmit and receive “differential” mode signals. However, the “solid” line identifies the signal that should be used, when operating the Transmitter in the “Single-Ended” mode.
2. Each scenarios includes a table that indicates how to configure the XRT4000 device into each of these modes, by specifying the appropriate logic states for EC^* , $2CK/3CK^*$, LP^* , $CKINV^*$, $DTINV^*$, and EN_OSC^* .
3. In all, 48 scenarios have been defined for the XRT4000 device. Currently, this document only lists a subset of these scenarios. Further versions of the XRT4000 data sheet will include this information for all 48 scenarios.

Scenarios 1 & 2



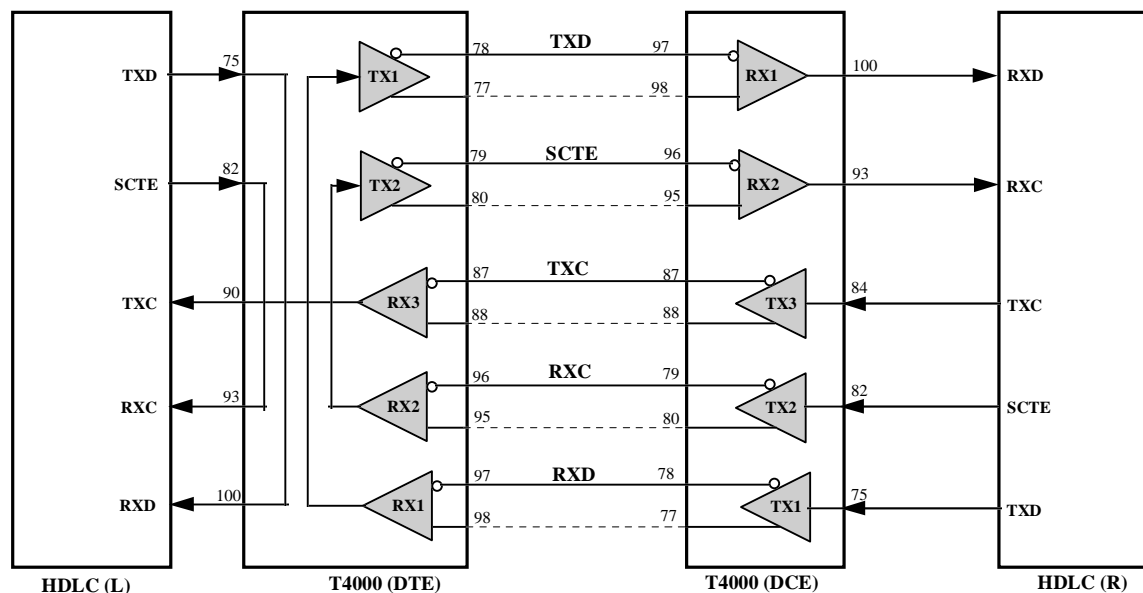
Options

DTE	Normal	3 Clocks	No Loopback	No Invert
DCE	Echo Mode	2 Clocks	Loopback	Invert
		1 Clock (X.21)		

Input Pin Settings (Scenarios 1 & 2)

T4000 (DTE)			T4000 (DCE)		
Pin Number	Name	State	Pin Number	Name	State
39	DCE/DTE*	0	39	DCE/DTE*	1
42	EC*	1	42	EC*	1
65	2CK/3CK*	0	65	2CK/3CK*	0
22	LP*	1	22	LP*	1
67	CKINV*	1	67	CKINV*	1
68	DTINV*	1	68	DTINV*	1
66	EN_OSC*	1	66	EN_OSC*	1

Scenario 3



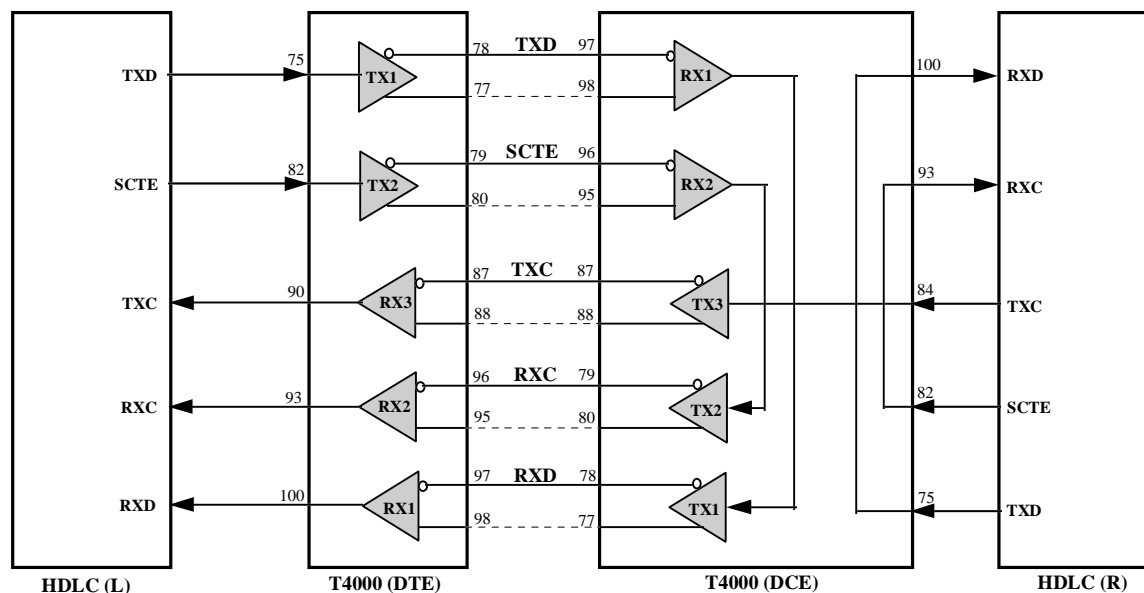
Options

DTE	Normal	3 Clocks	No Loopback	No Invert
DCE	Echo Mode	2 Clocks	Loopback	Invert
		1 Clock (X.21)		

Input Pin Settings (Scenario 3)

T4000 (DTE)			T4000 (DCE)		
Pin Number	Name	State	Pin Number	Name	State
39	DCE/DTE*	0	39	DCE/DTE*	1
42	EC*	1	42	EC*	1
65	2CK/3CK*	0	65	2CK/3CK*	0
22	LP*	0	22	LP*	1
67	CKINV*	1	67	CKINV*	1
68	DTINV*	1	68	DTINV*	1
66	EN_OSC*	1	66	EN_OSC*	1

Scenario 4



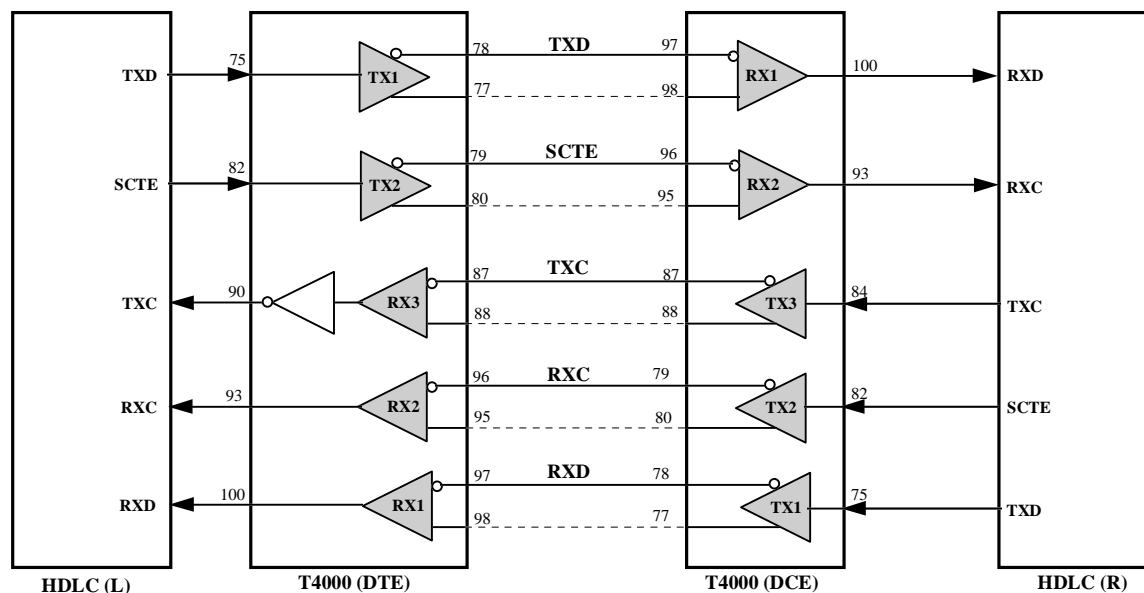
Options

DTE	Normal	3 Clocks	No Loopback	No Invert
DCE	Echo Mode	2 Clocks	Loopback	Invert
		1 Clock (X.21)		

Input Pin Settings (Scenario 4)

T4000 (DTE)			T4000 (DCE)		
Pin Number	Name	State	Pin Number	Name	State
39	DCE/DTE*	0	39	DCE/DTE*	1
42	EC*	1	42	EC*	1
65	2CK/3CK*	0	65	2CK/3CK*	0
22	LP*	1	22	LP*	0
67	CKINV*	1	67	CKINV*	1
68	DTINV*	1	68	DTINV*	1
66	EN_OSC*	1	66	EN_OSC*	1

Scenario 5



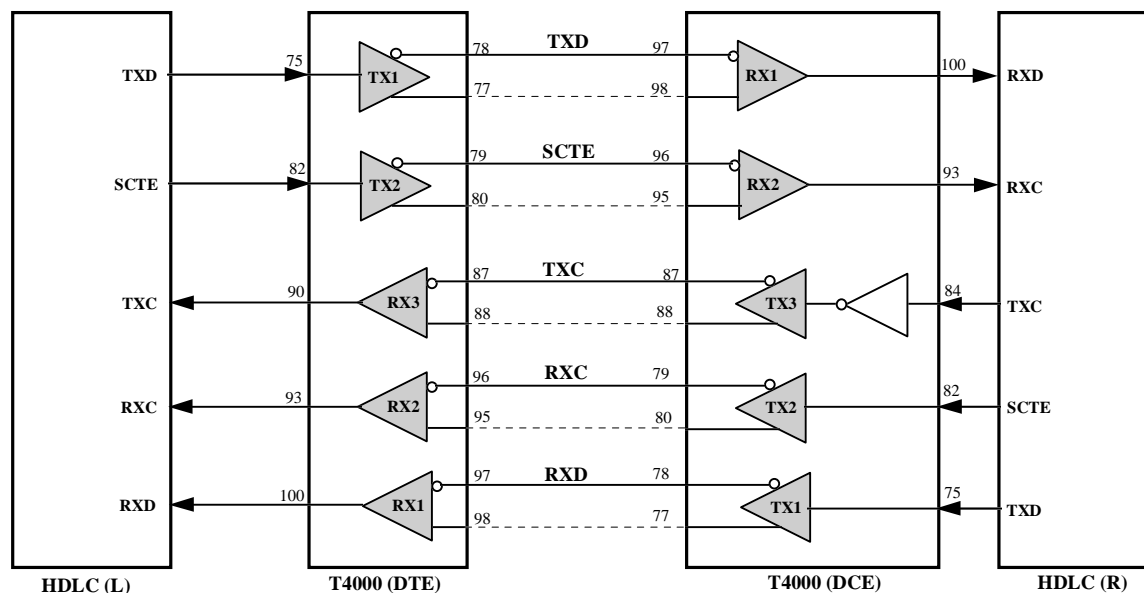
Options

DTE	Normal	3 Clocks	No Loopback	No Invert
DCE	Echo Mode	2 Clocks	Loopback	Invert
		1 Clock (X.21)		

Input Pin Settings (Scenario 5)

T4000 (DTE)			T4000 (DCE)		
Pin Number	Name	State	Pin Number	Name	State
39	DCE/DTE*	0	39	DCE/DTE*	1
42	EC*	1	42	EC*	1
65	2CK/3CK*	0	65	2CK/3CK*	0
22	LP*	1	22	LP*	1
67	CKINV*	0	67	CKINV*	1
68	DTINV*	1	68	DTINV*	1
66	EN_OSC*	1	66	EN_OSC*	1

Scenario 6



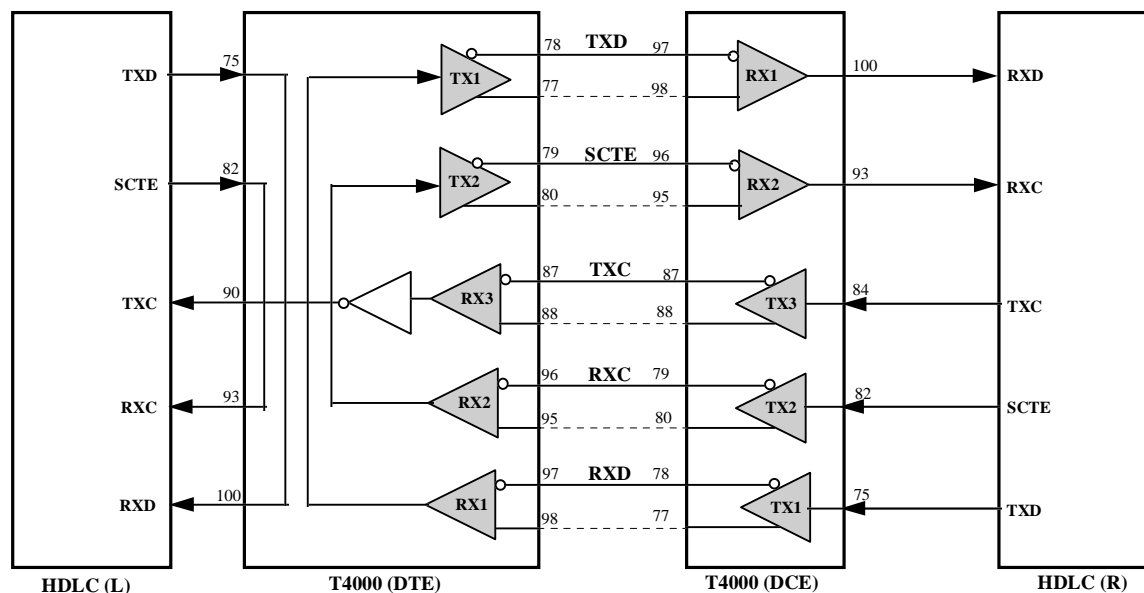
Options

DTE	Normal	3 Clocks	No Loopback	No Invert
DCE	Echo Mode	2 Clocks	Loopback	Invert
		1 Clock (X.21)		

Input Pin Settings (Scenarios 1 & 2)

T4000 (DTE)			T4000 (DCE)		
Pin Number	Name	State	Pin Number	Name	State
39	DCE/DTE*	0	39	DCE/DTE*	1
42	EC*	1	42	EC*	1
65	2CK/3CK*	0	65	2CK/3CK*	0
22	LP*	1	22	LP*	1
67	CKINV*	1	67	CKINV*	0
68	DTINV*	1	68	DTINV*	1
66	EN_OSC*	1	66	EN_OSC*	1

Scenario 7



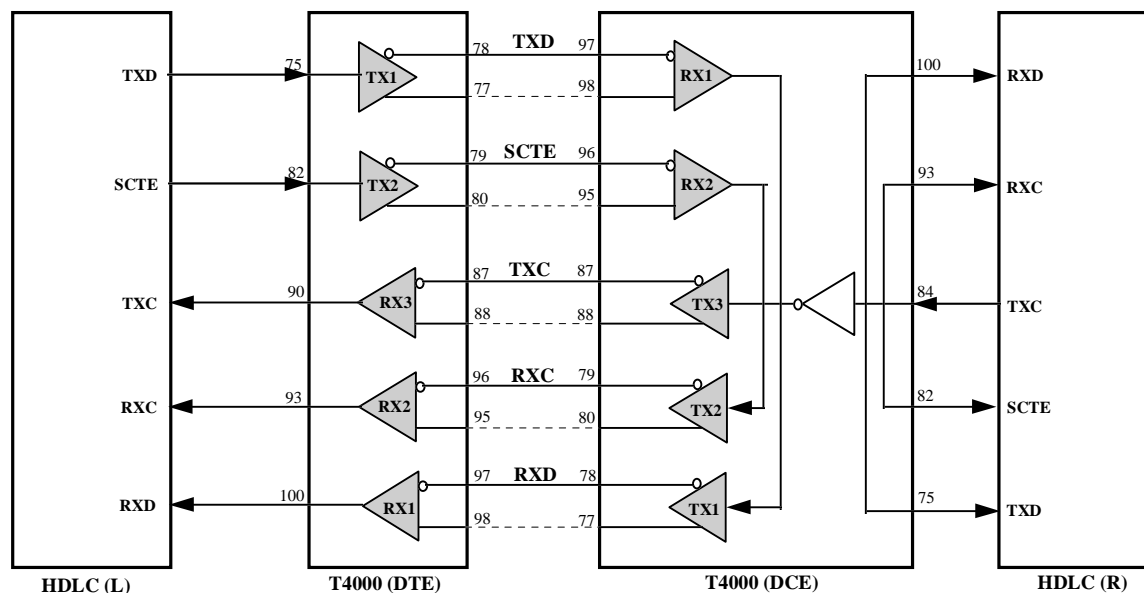
Options

DTE	Normal	3 Clocks	No Loopback	No Invert
DCE	Echo Mode	2 Clocks	Loopback	Invert
		1 Clock (X.21)		

Input Pin Settings (Scenarios 7)

T4000 (DTE)			T4000 (DCE)		
Pin Number	Name	State	Pin Number	Name	State
39	DCE/DTE*	0	39	DCE/DTE*	1
42	EC*	1	42	EC*	1
65	2CK/3CK*	0	65	2CK/3CK*	0
22	LP*	0	22	LP*	1
67	CKINV*	0	67	CKINV*	1
68	DTINV*	1	68	DTINV*	1
66	EN_OSC*	1	66	EN_OSC*	1

Scenario 8



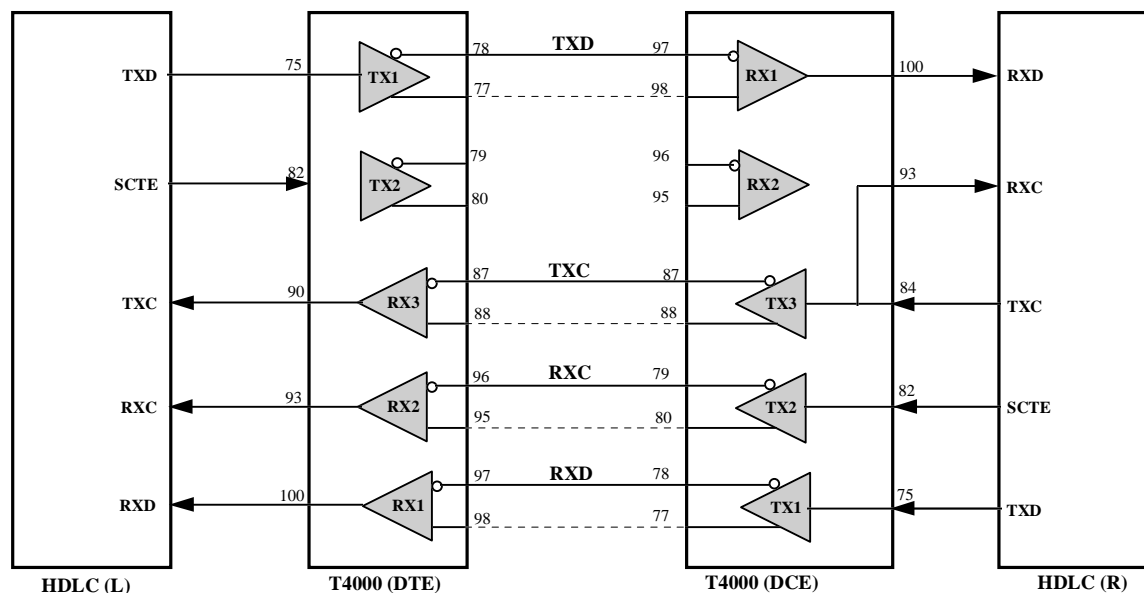
Options

DTE	Normal	3 Clocks	No Loopback	No Invert
DCE	Echo Mode	2 Clocks	Loopback	Invert
		1 Clock (X.21)		

Input Pin Settings (Scenario 8)

T4000 (DTE)			T4000 (DCE)		
Pin Number	Name	State	Pin Number	Name	State
39	DCE/DTE*	0	39	DCE/DTE*	1
42	EC*	1	42	EC*	1
65	2CK/3CK*	0	65	2CK/3CK*	0
22	LP*	1	22	LP*	0
67	CKINV*	1	67	CKINV*	0
68	DTINV*	1	68	DTINV*	1
66	EN_OSC*	1	66	EN_OSC*	1

Scenarios 9 & 10



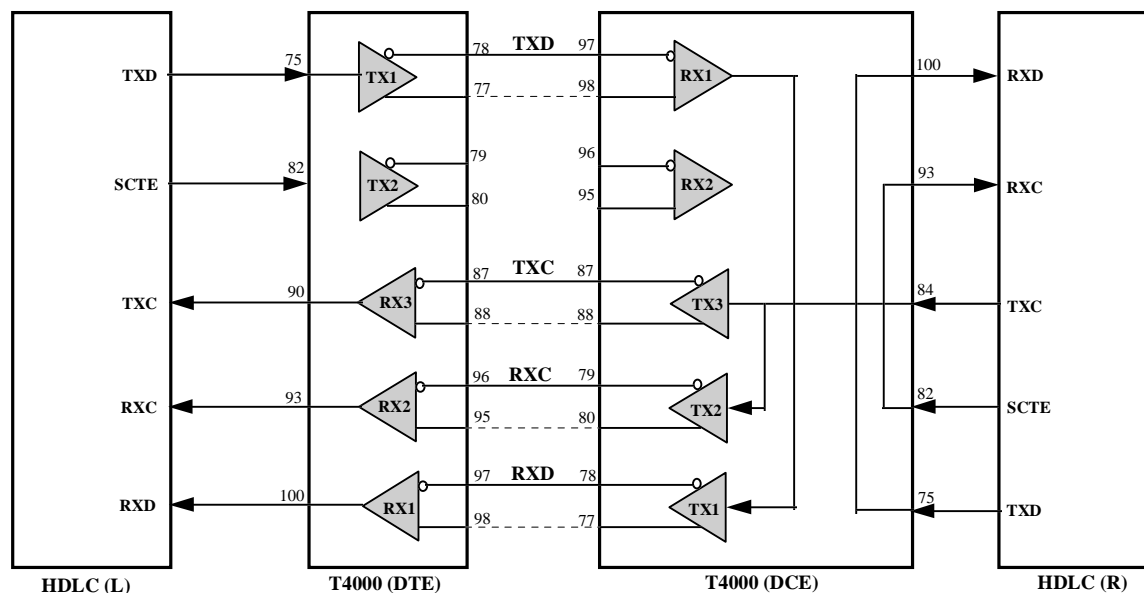
Options

DTE	Normal	3 Clocks	No Loopback	No Invert
DCE	Echo Mode	2 Clocks	Loopback	Invert
		1 Clock (X.21)		

Input Pin Settings (Scenarios 9 & 10)

T4000 (DTE)			T4000 (DCE)		
Pin Number	Name	State	Pin Number	Name	State
39	DCE/DTE*	0	39	DCE/DTE*	1
42	EC*	1	42	EC*	1
65	2CK/3CK*	1	65	2CK/3CK*	1
22	LP*	1	22	LP*	1
67	CKINV*	1	67	CKINV*	1
68	DTINV*	1	68	DTINV*	1
66	EN_OSC*	1	66	EN_OSC*	1

Scenario 12



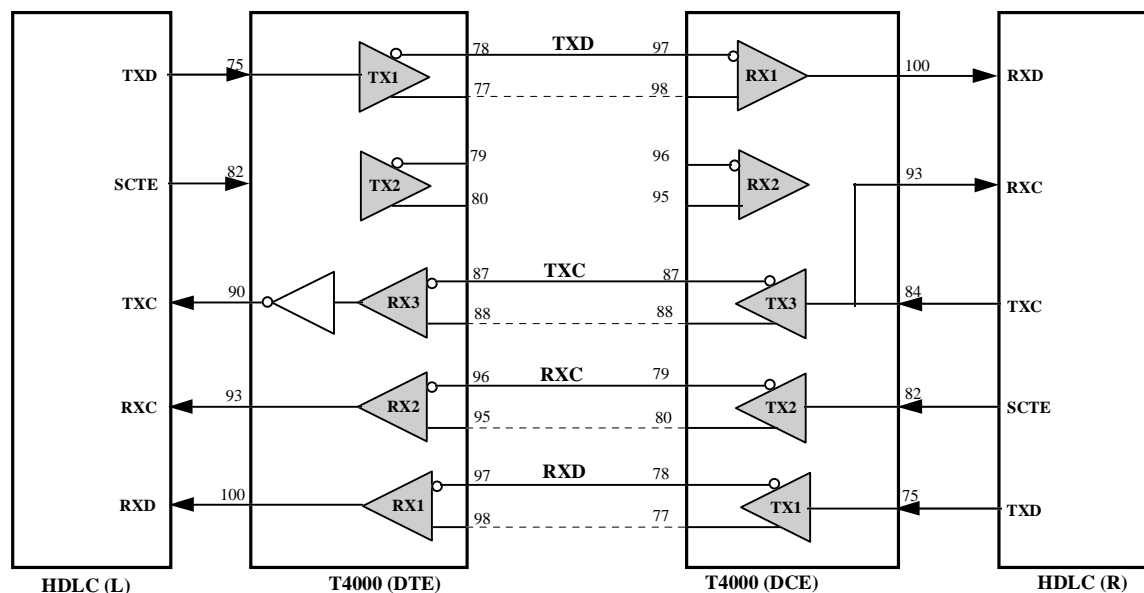
Options

DTE	Normal	3 Clocks	No Loopback	No Invert
DCE	Echo Mode	2 Clocks	Loopback	Invert
		1 Clock (X.21)		

Input Pin Settings (Scenario 12)

T4000 (DTE)			T4000 (DCE)		
Pin Number	Name	State	Pin Number	Name	State
39	DCE/DTE*	0	39	DCE/DTE*	1
42	EC*	1	42	EC*	1
65	2CK/3CK*	0	65	2CK/3CK*	1
22	LP*	1	22	LP*	0
67	CKINV*	1	67	CKINV*	1
68	DTINV*	1	68	DTINV*	1
66	EN_OSC*	1	66	EN_OSC*	1

Scenario 13



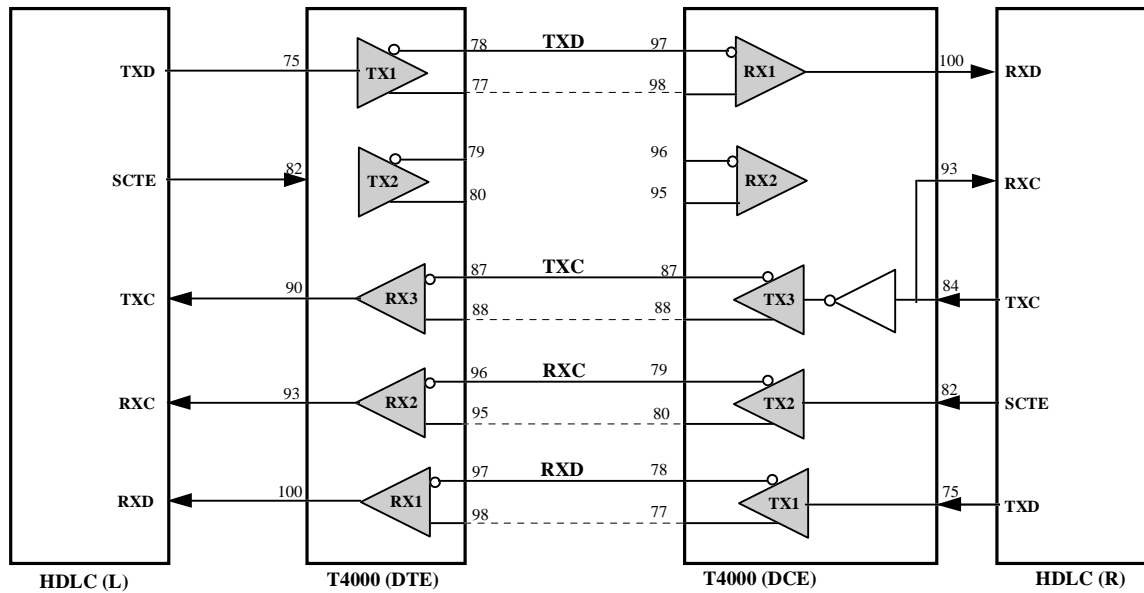
Options

DTE	Normal	3 Clocks	No Loopback	No Invert
DCE	Echo Mode	2 Clocks	Loopback	Invert
		1 Clock (X.21)		

Input Pin Settings (Scenario 13)

T4000 (DTE)			T4000 (DCE)		
Pin Number	Name	State	Pin Number	Name	State
39	DCE/DTE*	0	39	DCE/DTE*	1
42	EC*	1	42	EC*	1
65	2CK/3CK*	1	65	2CK/3CK*	1
22	LP*	1	22	LP*	0
67	CKINV*	0	67	CKINV*	1
68	DTINV*	1	68	DTINV*	1
66	EN_OSC*	1	66	EN_OSC*	1

Scenario 14



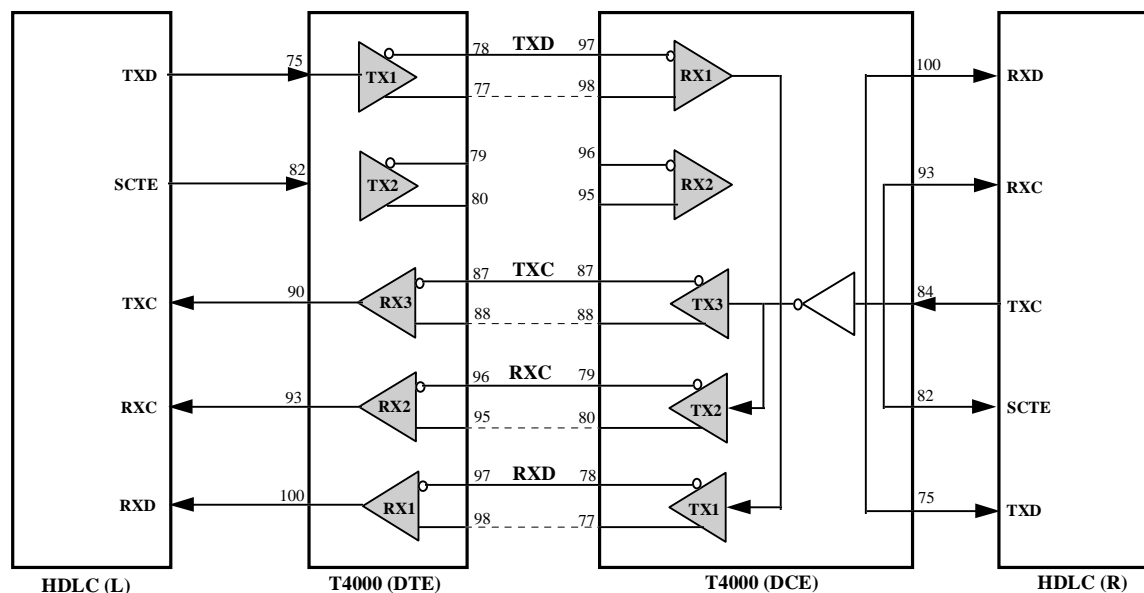
Options

DTE	Normal	3 Clocks	No Loopback	No Invert
DCE	Echo Mode	2 Clocks	Loopback	Invert
		1 Clock (X.21)		

Input Pin Settings (Scenario 14)

T4000 (DTE)			T4000 (DCE)		
Pin Number	Name	State	Pin Number	Name	State
39	DCE/DTE*	0	39	DCE/DTE*	1
42	EC*	1	42	EC*	1
65	2CK/3CK*	1	65	2CK/3CK*	1
22	LP*	1	22	LP*	1
67	CKINV*	0	67	CKINV*	0
68	DTINV*	1	68	DTINV*	1
66	EN_OSC*	1	66	EN_OSC*	1

Scenario 16



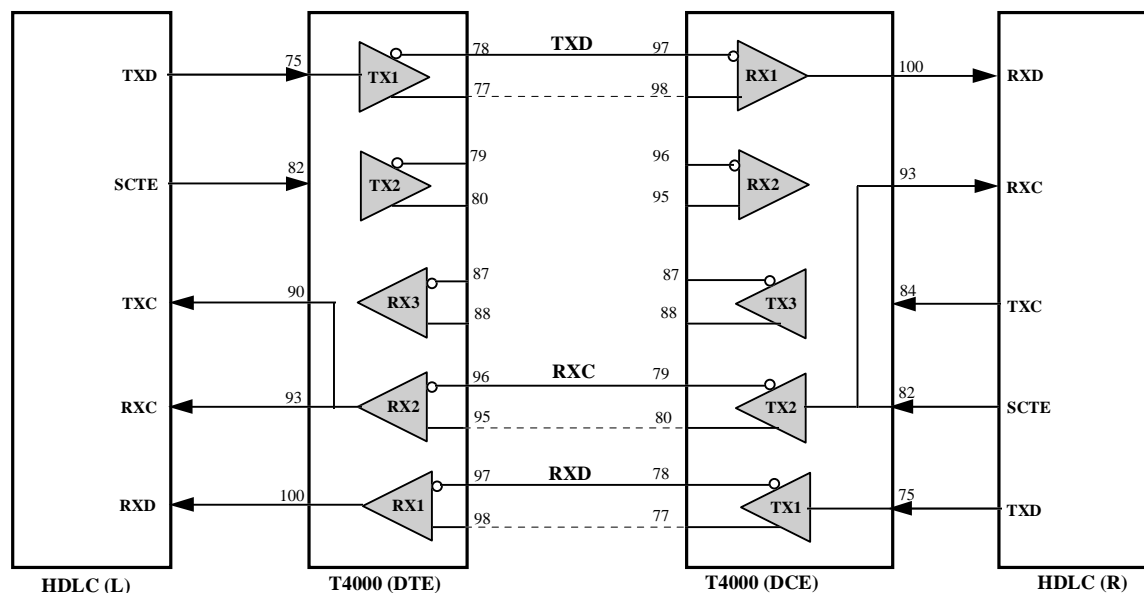
Options

DTE	Normal	3 Clocks	No Loopback	No Invert
DCE	Echo Mode	2 Clocks	Loopback	Invert
		1 Clock (X.21)		

Input Pin Settings (Scenario 16)

T4000 (DTE)			T4000 (DCE)		
Pin Number	Name	State	Pin Number	Name	State
39	DCE/DTE*	0	39	DCE/DTE*	1
42	EC*	1	42	EC*	1
65	2CK/3CK*	1	65	2CK/3CK*	1
22	LP*	1	22	LP*	0
67	CKINV*	1	67	CKINV*	0
68	DTINV*	1	68	DTINV*	1
66	EN_OSC*	1	66	EN_OSC*	1

Scenario 17 & 18



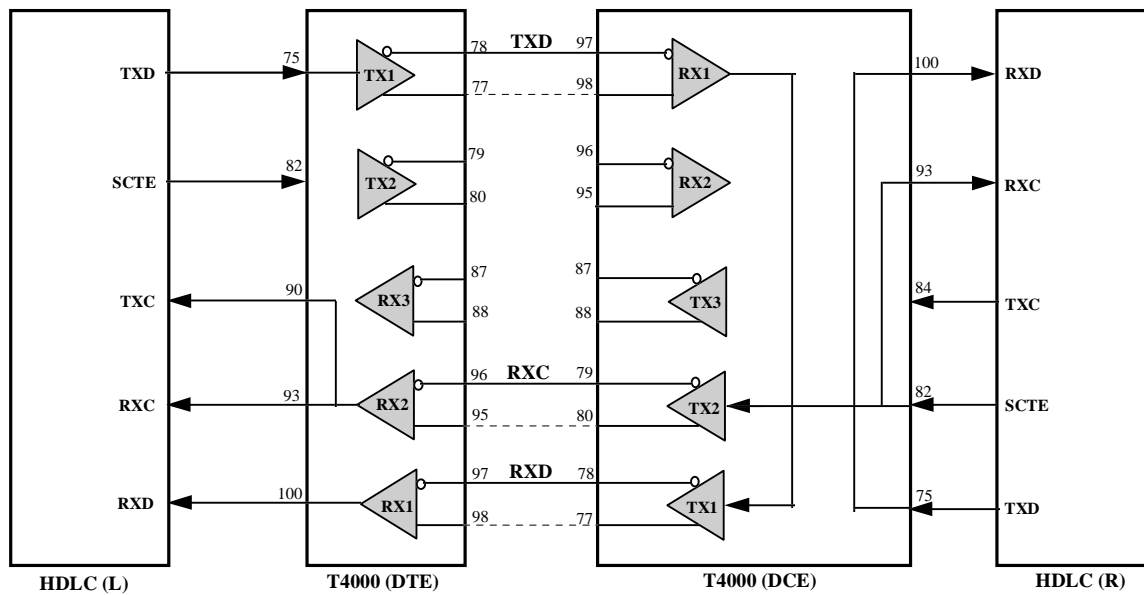
Options

DTE	Normal	3 Clocks	No Loopback	No Invert
DCE	Echo Mode	2 Clocks	Loopback	Invert
		1 Clock (X.21)		

Input Pin Settings (Scenario 17 & 18)

T4000 (DTE)			T4000 (DCE)		
Pin Number	Name	State	Pin Number	Name	State
39	DCE/DTE*	0	39	DCE/DTE*	1
42	EC*	1	42	EC*	1
65	2CK/3CK*	X	65	2CK/3CK*	X
22	LP*	1	22	LP*	1
67	CKINV*	1	67	CKINV*	1
68	DTINV*	1	68	DTINV*	1
66	EN_OSC*	1	66	EN_OSC*	1

Scenario 20



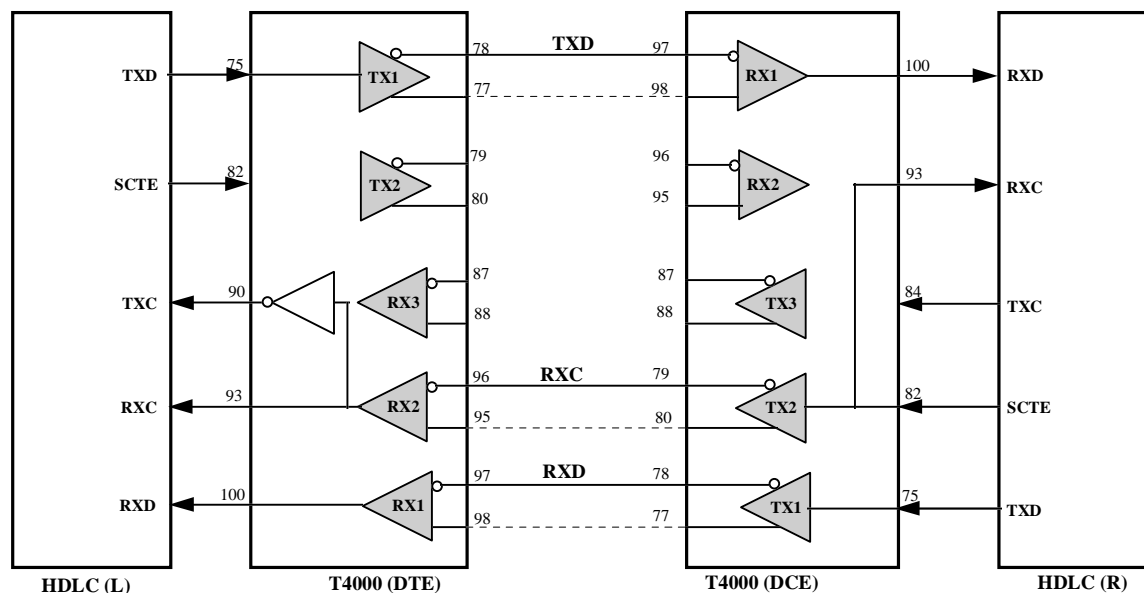
Options

DTE	Normal	3 Clocks	No Loopback	No Invert
DCE	Echo Mode	2 Clocks	Loopback	Invert
		1 Clock (X.21)		

Input Pin Settings (Scenario 20)

T4000 (DTE)			T4000 (DCE)		
Pin Number	Name	State	Pin Number	Name	State
39	DCE/DTE*	0	39	DCE/DTE*	1
42	EC*	1	42	EC*	1
65	2CK/3CK*	X	65	2CK/3CK*	X
22	LP*	1	22	LP*	0
67	CKINV*	1	67	CKINV*	1
68	DTINV*	1	68	DTINV*	1
66	EN_OSC*	1	66	EN_OSC*	1

Scenario 21



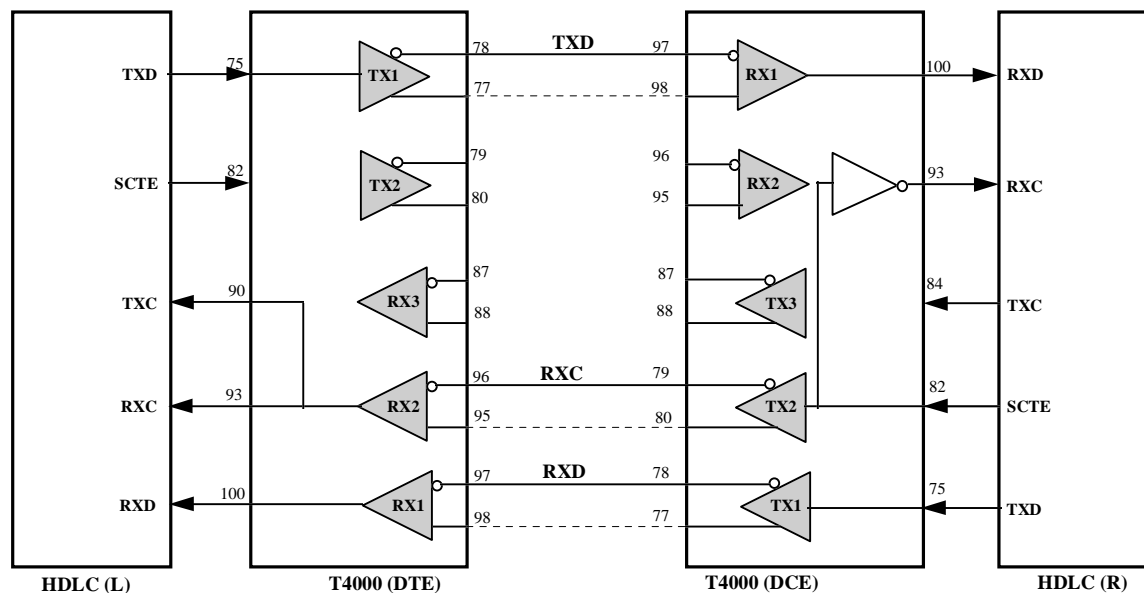
Options

DTE	Normal	3 Clocks	No Loopback	No Invert
DCE	Echo Mode	2 Clocks	Loopback	Invert
		1 Clock (X.21)		

Input Pin Settings (Scenario 21)

T4000 (DTE)			T4000 (DCE)		
Pin Number	Name	State	Pin Number	Name	State
39	DCE/DTE*	0	39	DCE/DTE*	1
42	EC*	1	42	EC*	1
65	2CK/3CK*	X	65	2CK/3CK*	X
22	LP*	1	22	LP*	1
67	CKINV*	0	67	CKINV*	1
68	DTINV*	1	68	DTINV*	1
66	EN_OSC*	1	66	EN_OSC*	1

Scenario 22



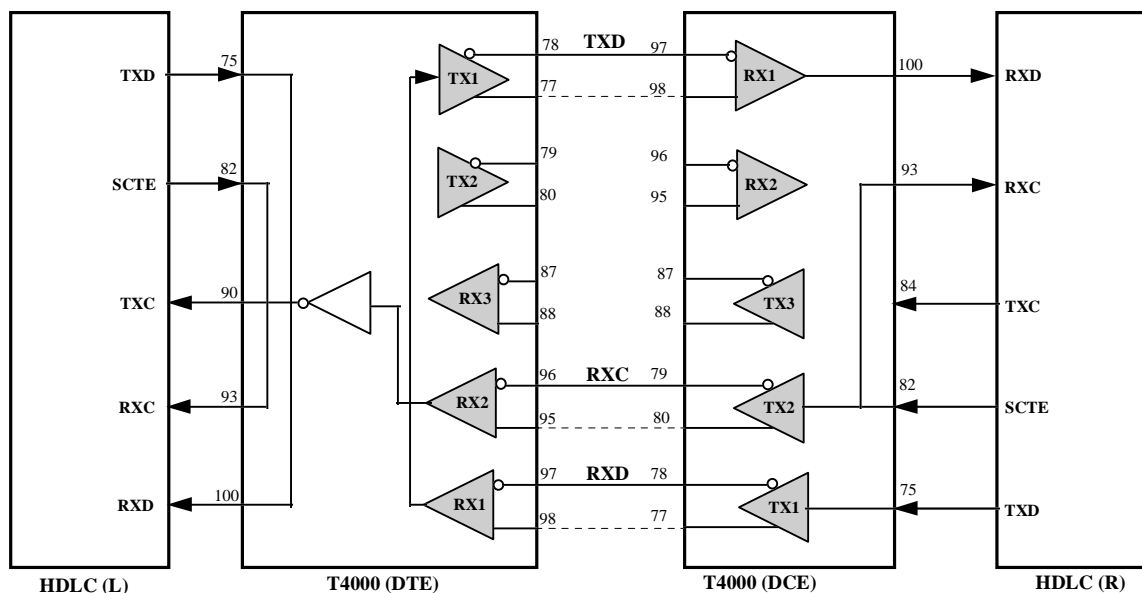
Options

DTE	Normal	3 Clocks	No Loopback	No Invert
DCE	Echo Mode	2 Clocks	Loopback	Invert
		1 Clock (X.21)		

Input Pin Settings (Scenario 22)

T4000 (DTE)			T4000 (DCE)		
Pin Number	Name	State	Pin Number	Name	State
39	DCE/DTE*	0	39	DCE/DTE*	1
42	EC*	1	42	EC*	1
65	2CK/3CK*	X	65	2CK/3CK*	X
22	LP*	1	22	LP*	1
67	CKINV*	1	67	CKINV*	0
68	DTINV*	1	68	DTINV*	1
66	EN_OSC*	1	66	EN_OSC*	1

Scenario 23



Options

DTE	Normal	3 Clocks	No Loopback	No Invert
DCE	Echo Mode	2 Clocks	Loopback	Invert
		1 Clock (X.21)		

Input Pin Settings (Scenario 23)

T4000 (DTE)			T4000 (DCE)		
Pin Number	Name	State	Pin Number	Name	State
39	DCE/DTE*	0	39	DCE/DTE*	1
42	EC*	1	42	EC*	1
65	2CK/3CK*	X	65	2CK/3CK*	X
22	LP*	0	22	LP*	1
67	CKINV*	0	67	CKINV*	1
68	DTINV*	1	68	DTINV*	1
66	EN_OSC*	1	66	EN_OSC*	1