

# RED LASER DIODE

## DL-LS1032

# SANYO

Ver.1 Oct. 2001

### Features

- Short wavelength : 635 nm (Typ.)
- High output power : 10 mW CW
- Low threshold current : Ith =40 mA (Typ.)
- Small package : $\phi$ 5.6mm

### Applications

Line marker, Leveler

### Absolute Maximum Ratings

(Tc=25°C)

Parameter		Symbol	Ratings	Unit
Light Output	CW	Po	12	mW
Reverse Voltage	Laser	VR	2	V
	PD		30	
Operating Temperature		Topr	-10 to +50	°C
Storage Temperature		Tstg	-40 to +85	°C

### Electrical and Optical Characteristics <sup>1) 2)</sup>

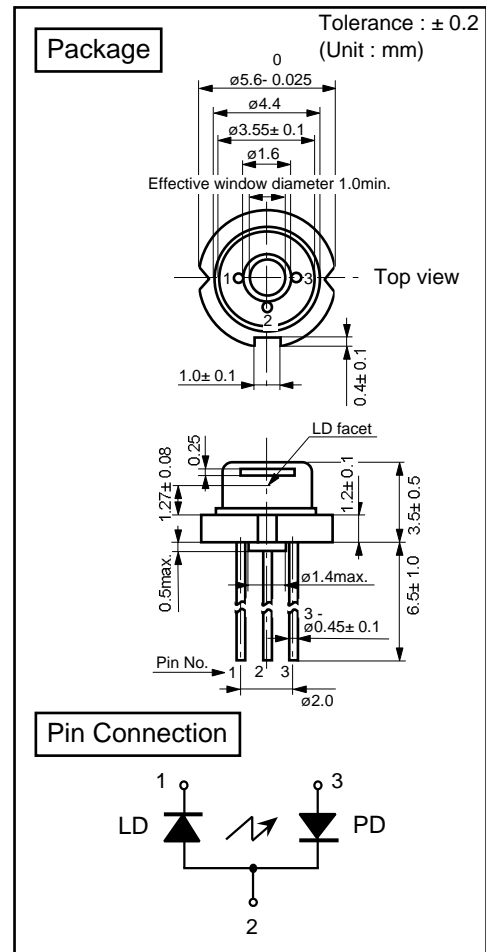
(Tc=25°C)

Parameter		Symbol	Condition	Min.	Typ.	Max.	Unit
Threshold Current		Ith	CW	-	40	60	mA
Operating Current		Iop	Po=10mW	-	60	80	mA
Operating Voltage		Vop	Po=10mW	-	2.3	2.5	V
Lasing Wavelength		Lp	Po=10mW	-	635	645	nm
Beam <sup>3)</sup> Divergence	Perpendicular	Qv	Po=10mW	25	30	35	°
	Parallel	Qh	Po=10mW	6	8	10	°
Off Axis Angle	Perpendicular	dQv	-	-	-	± 2	°
	Parallel	dQh	-	-	-	± 2	°
Differential Efficiency		dPo/dIop	-	-	0.5	-	mW/mA
Monitoring Output Current		Im	Po=10mW	0.05	0.15	0.4	mA
Astigmatism		As	Po=10mW	-	8	-	μm

1) Initial values 2) All the above values are evaluated with Tottori Sanyo's measuring apparatus

3) Full angle at half maximum

Note : The above product specification are subject to change without notice.



Tottori SANYO Electric Co., Ltd. Electronic Device Business Headquarters  
LED Division

5-318, Tachikawa, Tottori 680-8634 Japan TEL : +81-857-21-2137 FAX : +81-857-21-2161