

STEERING DIODE ARRAY

APPLICATIONS

- ✓ Notebook & Desktop Computers
- ✓ Set Top Box Interface
- ✓ Video Port Protection
- ✓ Handheld Electronics
- ✓ Personal Digital Assistant (PDA)
- ✓ Sensor Interface

IEC COMPATIBILITY (EN61000-4)

- ✓ 61000-4-2 (ESD): Air - 15kV, Contact - 8kV
- ✓ 61000-4-4 (EFT): 40A - 5/50ns

FEATURES

- ✓ ESD Protection > 40 kilovolts
- ✓ 350mW Continuous Power Dissipation
- ✓ Provides Six (6) Lines of Protection
- ✓ Low Leakage Current < 1.0 μ A
- ✓ Ultra Low Capacitance: 3pF Typical
- ✓ RoHS Compliant

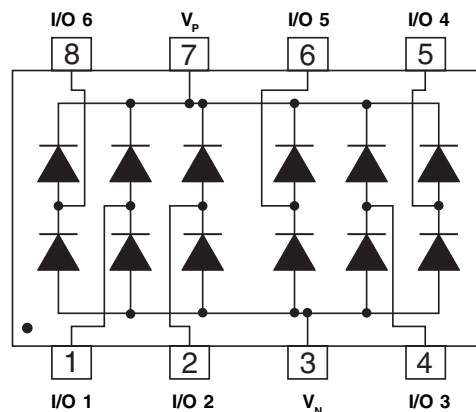
MECHANICAL CHARACTERISTICS

- ✓ Molded JEDEC SO-8
- ✓ Weight 70 milligrams (Approximate)
- ✓ Available in Lead-Free Pure-Tin Plating(Annealed)
- ✓ Solder Reflow Temperature:
Pure-Tin - Sn, 100: 260-270°C
- ✓ Consult Factory for Leaded Device Availability
- ✓ Flammability Rating UL 94V-0
- ✓ 12mm Tape and Reel Per EIA Standard 481
- ✓ Marking: Part Number, Logo, Date Code & Pin One Defined By Dot on Top of Package



SO-8

PIN CONFIGURATION



DEVICE CHARACTERISTICS

MAXIMUM RATINGS @ 25°C Unless Otherwise Specified

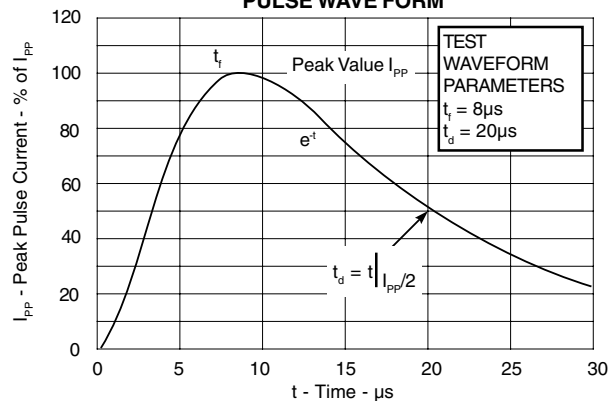
PARAMETER	SYMBOL	VALUE	UNITS
Operating Temperature	T_A	-55 to 150	°C
Storage Temperature	T_{STG}	-55 to 150	°C
Continuous Power Dissipation	P_{PC}	350	mW

ELECTRICAL CHARACTERISTICS PER LINE @ 25°C Unless Otherwise Specified

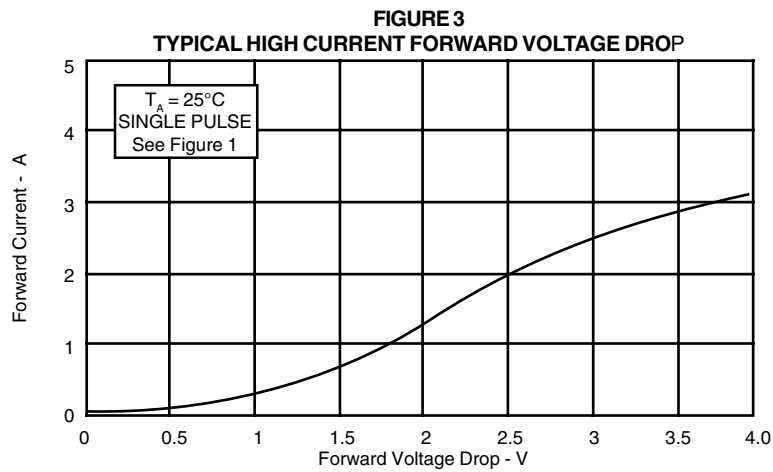
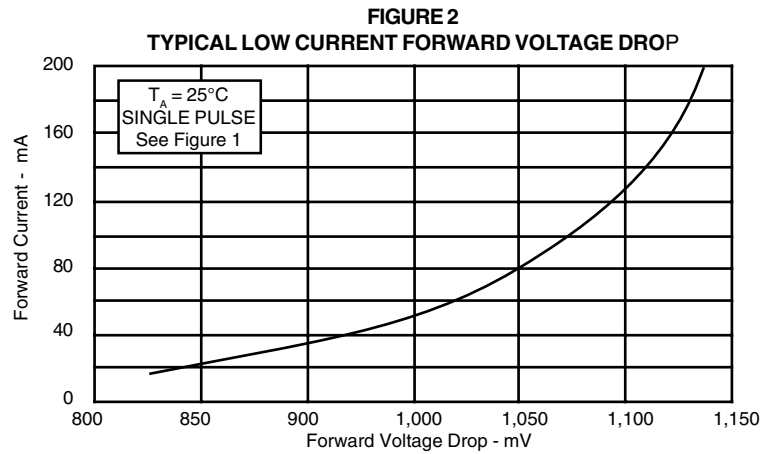
PART NUMBER	DEVICE MARKING CODE	REPETITIVE PEAK REVERSE VOLTAGE (See Note 1) V_{RRM} VOLTS	MAXIMUM FORWARD VOLTAGE @ 20mA V_F VOLTS	MAXIMUM PEAK PULSE FORWARD CURRENT (See Fig. 1) @ 8/20µs I_{FM} AMPS	MAXIMUM REVERSE LEAKAGE CURRENT V_{RRM} @ 5.5V I_R µA	TYPICAL CAPACITANCE @ 0V, 1 MHz C_j pF
IO6LC	IO6LC	30	0.95	3.5	0.1	3

Note 1: V_{RRM} is $+V_{CC}$ to pin 7, $-V_{EE}$ to pin 3.

**FIGURE 1
PULSE WAVE FORM**

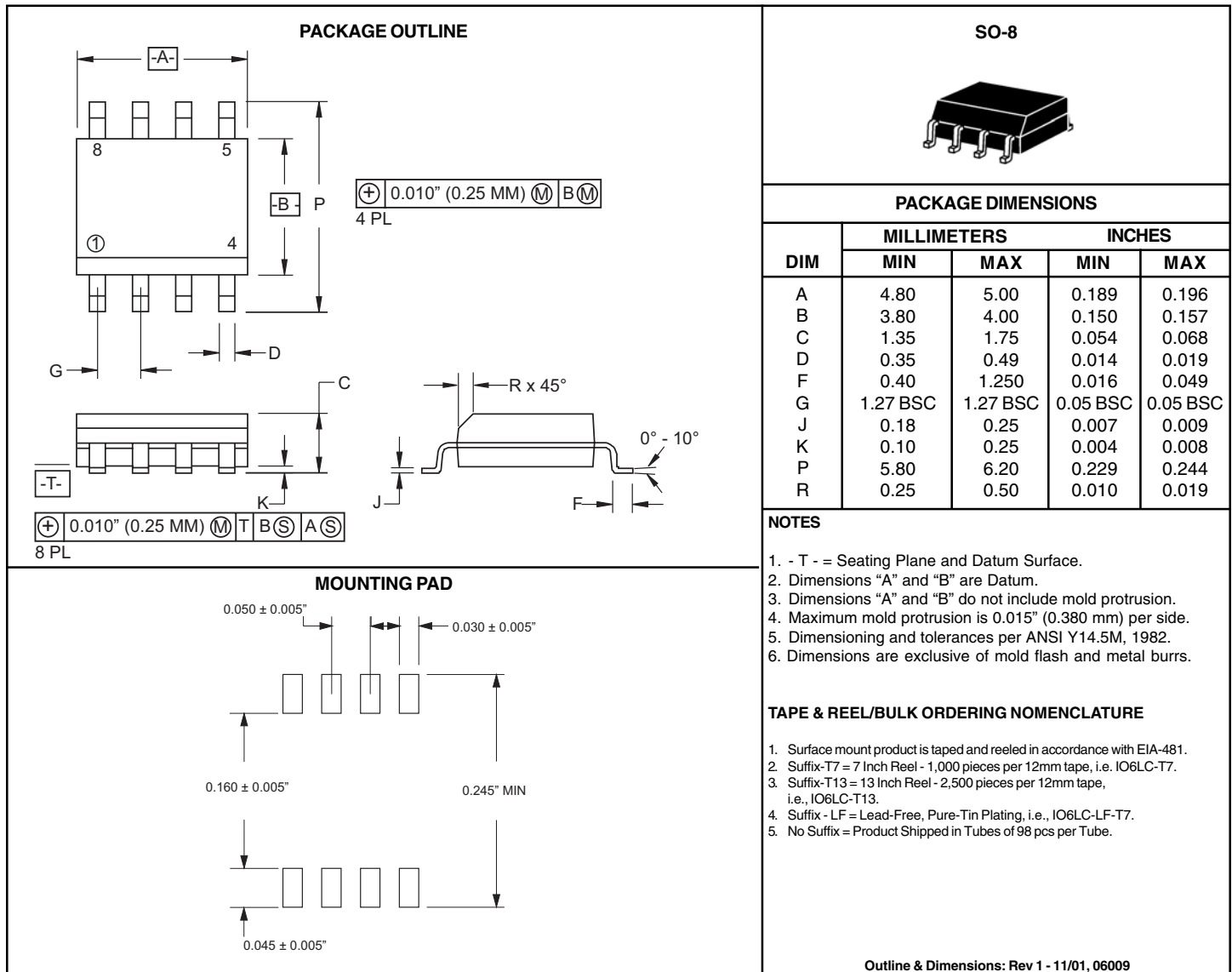


GRAPHS



IO6LC

SO-8 PACKAGE OUTLINE & DIMENSIONS



COPYRIGHT © ProTek Devices 2007

SPECIFICATIONS: ProTek reserves the right to change the electrical and or mechanical characteristics described herein without notice (except JEDEC).

DESIGN CHANGES: ProTek reserves the right to discontinue product lines without notice, and that the final judgement concerning selection and specifications is the buyer's and that in furnishing engineering and technical assistance, ProTek assumes no responsibility with respect to the selection or specifications of such products.

ProTek Devices
 2929 South Fair Lane, Tempe, AZ 85282
 Tel: 602-431-8101 Fax: 602-431-2288
 E-Mail: sales@protekdevices.com
 Web Site: www.protekdevices.com