

Programmable Voltage Reference

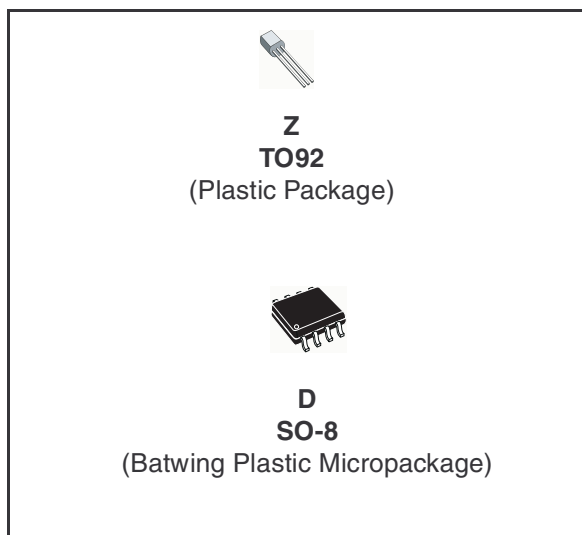
- Adjustable output voltage: V_{REF} to 36V
- Sink current capability: 1 to 100mA
- Typical output impedance: 0.22Ω
- 0.4% and 0.25% voltage precision

Description

The TL1431 is a programmable shunt voltage reference with guaranteed temperature stability over the entire temperature range of operation.

The output voltage may be set to any value between 2.5V and 36V with two external resistors.

The TL1431 operates with a wide current range from 1 to 100mA with a typical dynamic impedance of 0.2Ω .



Order Codes

Part Number	Temperature Range	Package	Packing	Marking
TL1431CD/CDT	-20, +70°C	SO-8	Tube or Tape & Reel	1431C
TL1431ACD/ACDT				1431AC
TL1431CZ/CZT/CZ-AP		TO92		TL1431C
TL1431ACZ/ACZT/ACZ-AP				TL1431AC
TL1431ID/IDT	-40, + 105°C	SO-8		1431I
TL1431AID/AIDT				1431AI
TL1431IZ/IZT/IZ-AP		TO92		TL1431I
TL1431AIZ/AIZT/AIZ-AP				TL1431AI
TL1431IYD/IYDT		SO-8 (automotive grade level)	1431IY	

1 Pin Diagrams

Figure 1. T092 pin connections (top view)

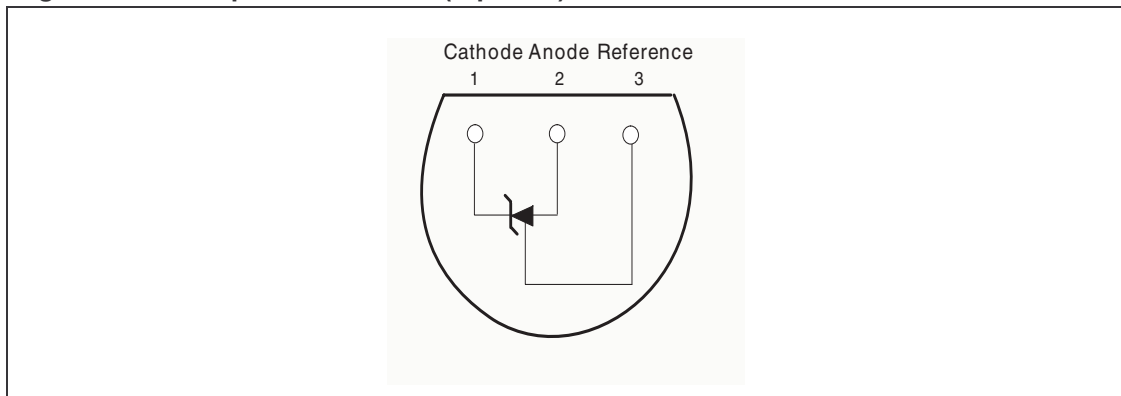
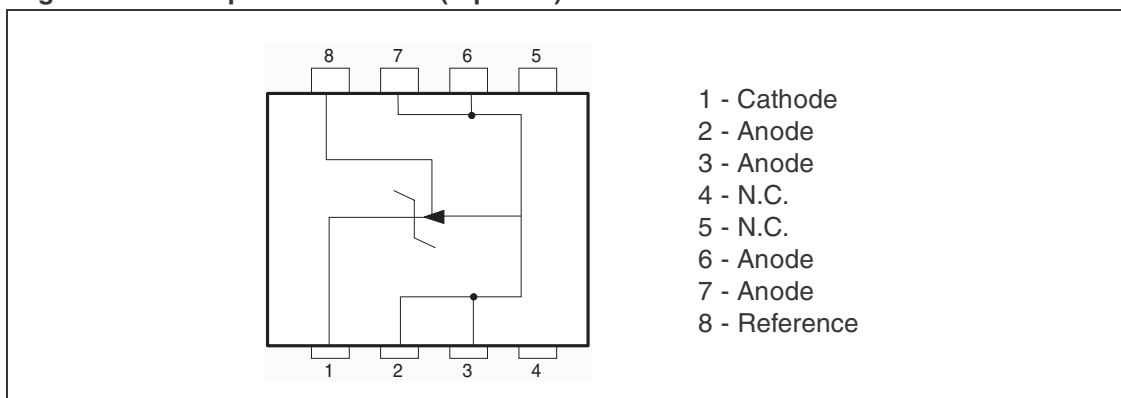


Figure 2. SO-8 pin connections (top view)



2 Absolute Maximum Ratings

Table 1. Key parameters and their absolute maximum ratings

Symbol	Parameter	Value	Unit
V_{KA}	Cathode to Anode Voltage	37	V
I_k	Continuous Cathode Current Range	-100 to +150	mA
I_{ref}	Reference Input Current Range	-0.05 to +10	mA
T_J	Junction temperature	+150	°C
P_d	Power Dissipation ⁽¹⁾ TO92 SO-8 batwing	625 960	mW
T_{stg}	Storage Temperature Range	-65 to +150	°C

1. Calculated with $T_J=+150^{\circ}\text{C}$ and $T_{AMB}=+25^{\circ}\text{C}$ with relative R_{THJ-A} depending on the package

Table 2. Operating conditions

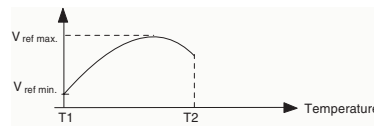
Symbol	Parameter	Value	Unit
V_{KA}	Cathode to Anode Voltage	V_{ref} to 36	V
I_k	Cathode Current	1 to 100	mA
T_{oper}	Operating Free-air Temperature Range TL1431C/AC TL1431I/AI	-200 to +70 -40 to +105	°C
R_{THJ-A}	Thermal resistance Junction to Ambient SO 8 Batwing TO92	130 200	°C/W

3 Electrical Characteristics

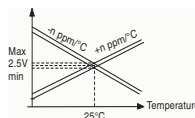
Table 3. $T_{amb} = 25^{\circ}C$ (unless otherwise specified)

Symbol	Parameter	TL1431C			TL1431AC			Unit
		Min.	Typ.	Max.	Min.	Typ.	Max.	
V_{ref}	Reference Input Voltage - figure 1 $V_{KA} = V_{ref}$, $I_k = 10\text{ mA}$	2.490	2.500	2.510	2.493	2.500	2.507	V
ΔV_{ref}	Reference Input Voltage Deviation Over Temperature Range ⁽¹⁾ - figure 1 $V_{KA} = V_{ref}$, $I_k = 10\text{ mA}$, $T_{min} \leq T_{amb} \leq T_{max}$		3	20		3	20	mV
$\frac{\Delta V_{ref}}{\Delta T}$	Temperature Coefficient of Reference Input Voltage ⁽²⁾ $V_{KA} = V_{ref}$, $I_k = 10\text{ mA}$, $T_{min} \leq T_{amb} \leq T_{max}$		± 13	± 90		± 13	± 90	ppm/ $^{\circ}C$
$\frac{\Delta V_{ref}}{\Delta V_{ka}}$	Ratio of Change in Reference Input Voltage to Change in Cathode to Anode Voltage - figure 2 $I_k = 10\text{ mA}$ - $\Delta V_{KA} = 36\text{V}$ to 3V	-2	-1.1		-2	-1.1		mV/V
I_{ref}	Reference Input Current $I_k = 10\text{ mA}$, $R1 = 10\text{ k}\Omega$, $R2 = \infty$ $T_{min} \leq T_{amb} \leq T_{max}$		1.5	2.5 3		1.5	2.5 3	μA
ΔI_{ref}	Reference Input Current Deviation Over Temperature Range $I_k = 10\text{ mA}$, $R1 = 10\text{ k}\Omega$, $R2 = \infty$ $T_{min} \leq T_{amb} \leq T_{max}$		0.2	1.2		0.2	1.2	μA
I_{min}	Minimum Cathode Current for Regulation - figure 1 $V_{KA} = V_{ref}$		0.5	1		0.5	0.6	mA
I_{off}	Off-State Cathode Current - figure 3		180	500		180	500	nA
$ Z_{KA} $	Dynamic Impedance ⁽³⁾ $V_{KA} = V_{ref}$, $\Delta I_k = 1$ to 100 mA , $f \leq 1\text{ kHz}$		0.2	0.5		0.2	0.5	Ω

- ΔV_{ref} is defined as the difference between the maximum and minimum values obtained over the full temperature range.
 $\Delta V_{ref} = V_{ref\ max.} - V_{ref\ min.}$



- The temperature coefficient is defined as the slopes (positive and negative) of the voltage vs temperature limits within which the reference is guaranteed.

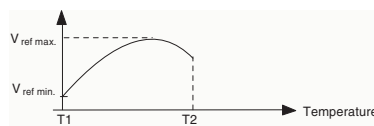


- The dynamic Impedance is defined as $|Z_{KA}| = \frac{\Delta V_{KA}}{\Delta I_K}$

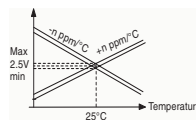
Table 4. $T_{amb} = 25^{\circ}\text{C}$ (unless otherwise specified)

Symbol	Parameter	TL1431I			TL1431AI			Unit
		Min.	Typ.	Max.	Min.	Typ.	Max.	
V_{ref}	Reference Input Voltage - figure 1 $V_{KA} = V_{ref}$, $I_k = 10\text{ mA}$	2.490	2.500	2.510	2.493	2.500	2.507	V
ΔV_{ref}	Reference Input Voltage Deviation Over Temperature Range ⁽¹⁾ - figure 1 $V_{KA} = V_{ref}$, $I_k = 10\text{ mA}$, $T_{min} \leq T_{amb} \leq T_{max}$		7	30		7	30	mV
$\frac{\Delta V_{ref}}{\Delta T}$	Temperature Coefficient of Reference Input Voltage ⁽²⁾ $V_{KA} = V_{ref}$, $I_k = 10\text{ mA}$, $T_{min} \leq T_{amb} \leq T_{max}$		± 22	± 100		± 22	± 100	ppm/ $^{\circ}\text{C}$
$\frac{\Delta V_{ref}}{\Delta V_{ka}}$	Ratio of Change in Reference Input Voltage to Change in Cathode to Anode Voltage - figure 2 $I_k = 10\text{ mA}$ - $\Delta V_{KA} = 36\text{V}$ to 3V		-1.1	2		-1.1	2	mV/V
I_{ref}	Reference Input Current $I_k = 10\text{ mA}$, $R1 = 10\text{ k}\Omega$, $R2 = \infty$ $T_{min} \leq T_{amb} \leq T_{max}$		1.5	2.5 3		1.5	2.5 3	μA
ΔI_{ref}	Reference Input Current Deviation Over Temperature Range $I_k = 10\text{ mA}$, $R1 = 10\text{ k}\Omega$, $R2 = \infty$ $T_{min} \leq T_{amb} \leq T_{max}$		0.5	1		0.8	1.2	μA
I_{min}	Minimum Cathode Current for Regulation - figure 1 $V_{KA} = V_{ref}$		0.5	1		0.5	0.7	mA
I_{off}	Off-State Cathode Current - figure 3		180	500		180	500	nA
$ Z_{KA} $	Dynamic Impedance ⁽³⁾ $V_{KA} = V_{ref}$, $\Delta I_k = 1$ to 100 mA , $f \leq 1\text{ kHz}$		0.2	0.5		0.2	0.5	Ω

- ΔV_{ref} is defined as the difference between the maximum and minimum values obtained over the full temperature range.
 $\Delta V_{ref} = V_{ref\ max.} - V_{ref\ min.}$



- The temperature coefficient is defined as the slopes (positive and negative) of the voltage vs temperature limits within which the reference is guaranteed.



- The dynamic Impedance is defined as $|Z_{KA}| = \frac{\Delta V_{KA}}{\Delta I_K}$

Figure 3. Test circuit for $V_{KA} = V_{REF}$

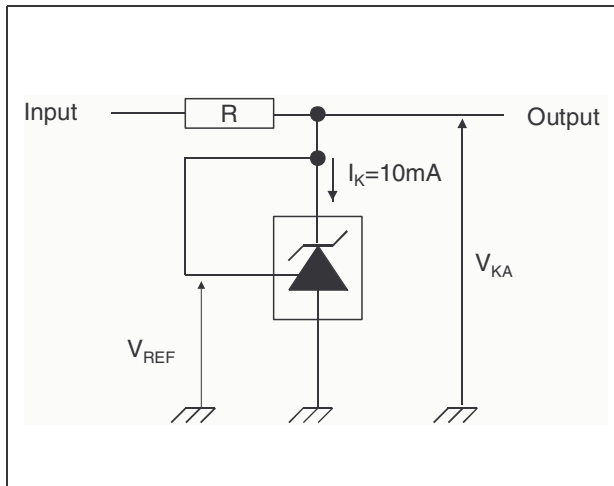


Figure 4. Test circuit for $V_{KA} = V_{REF}$

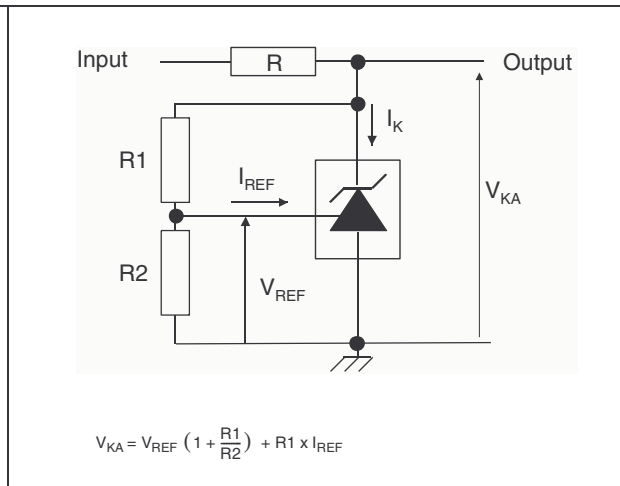


Figure 5. Test circuit for I_{OFF}

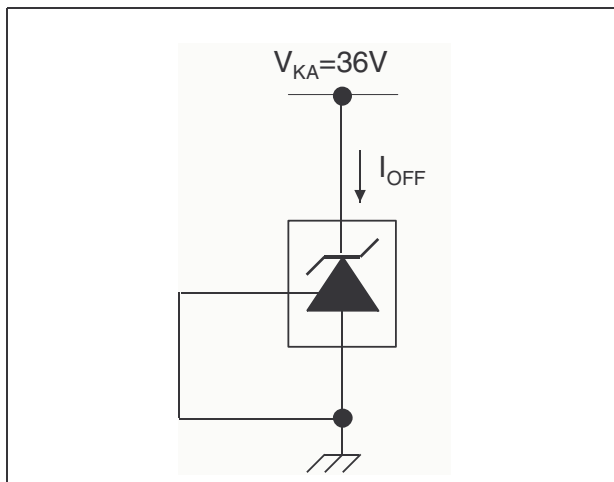


Figure 6. Test circuit for phase margin and voltage gain

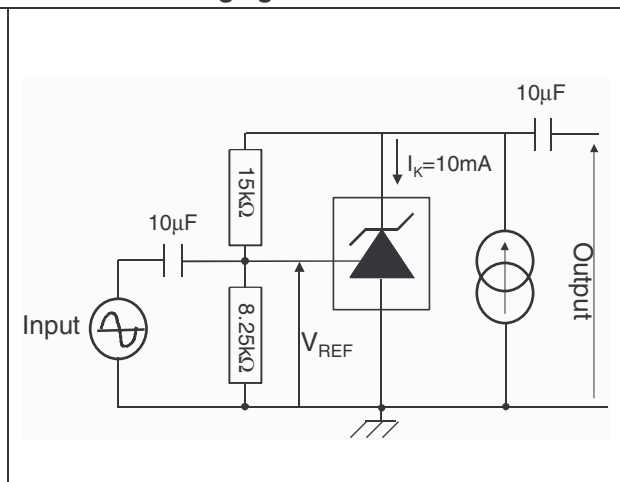


Figure 7. Block diagram of TL1431

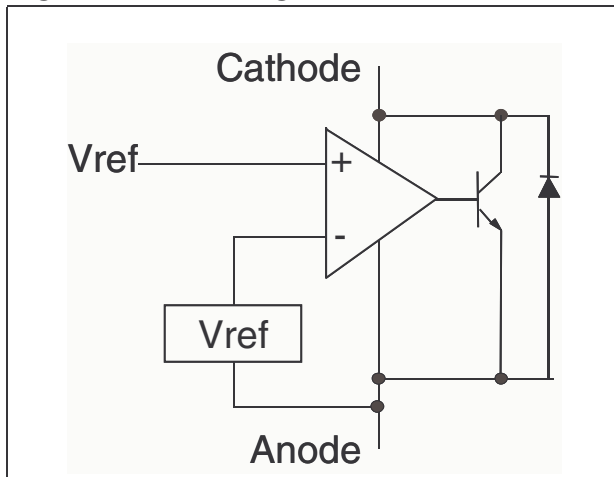


Figure 8. Test circuit for response time

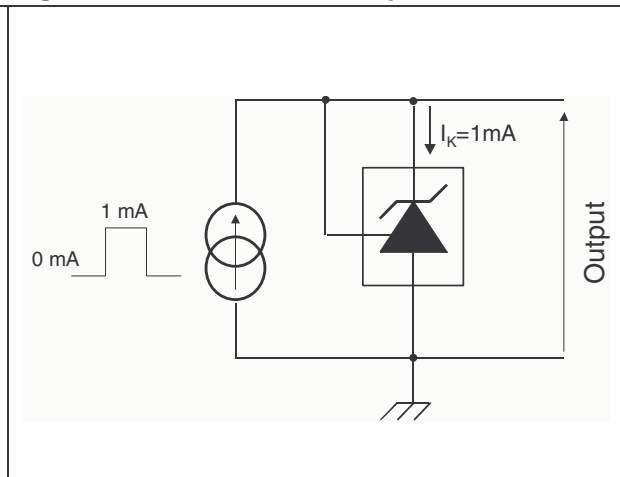


Figure 9. Reference voltage vs. temp.

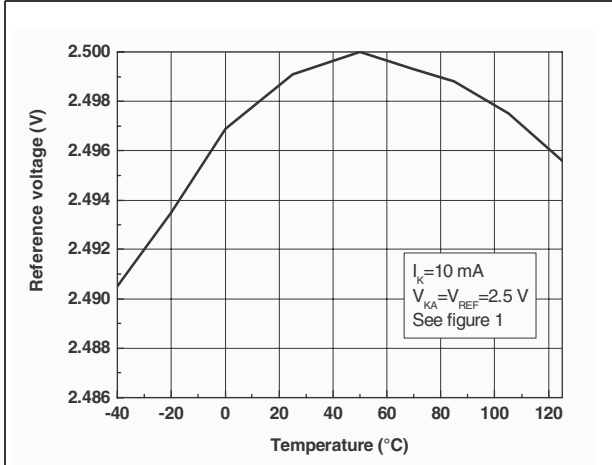


Figure 10. Reference voltage vs. cathode current

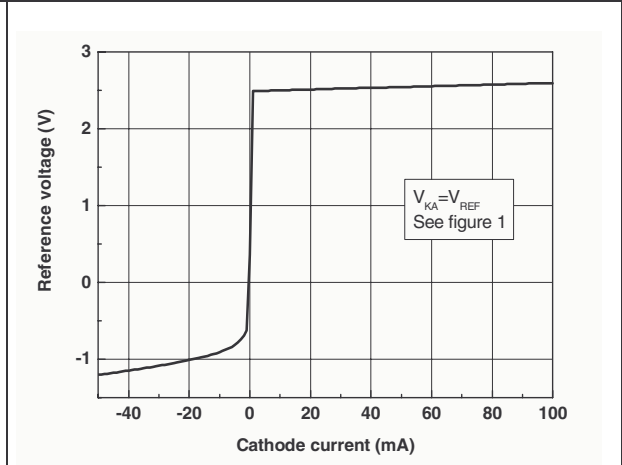


Figure 11. Reference voltage vs. cathode current Figure 12. Reference current vs. temp.

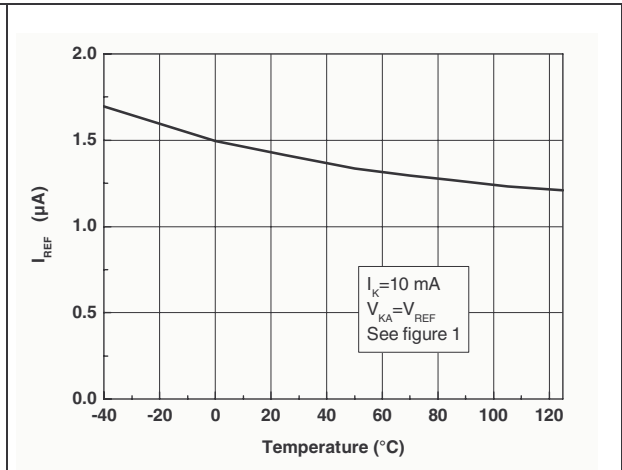
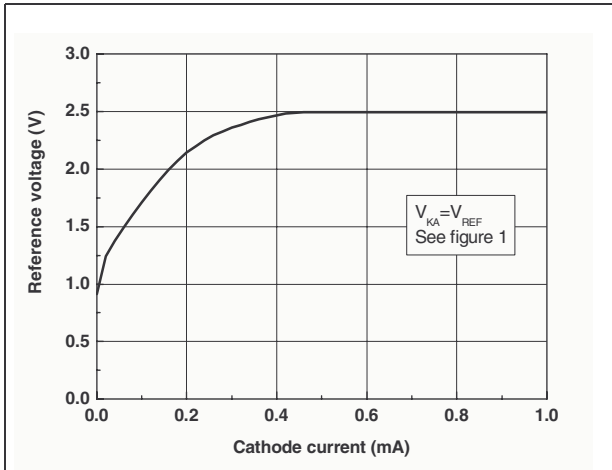


Figure 13. Off-state cathode current vs. temp. Figure 14. Ratio of change in V_{REF} to change in V_{KA} vs. temp.

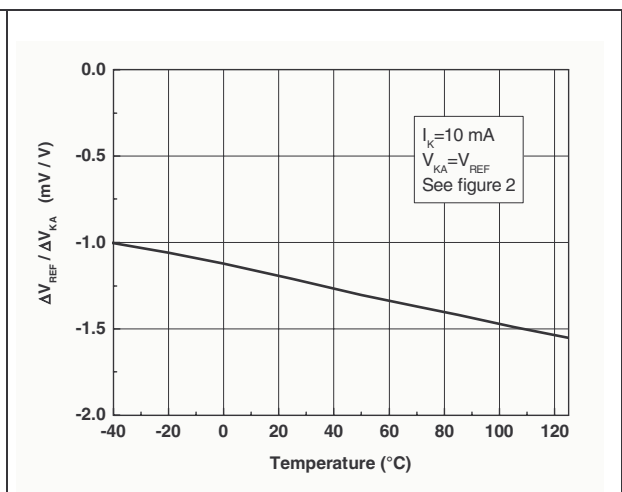
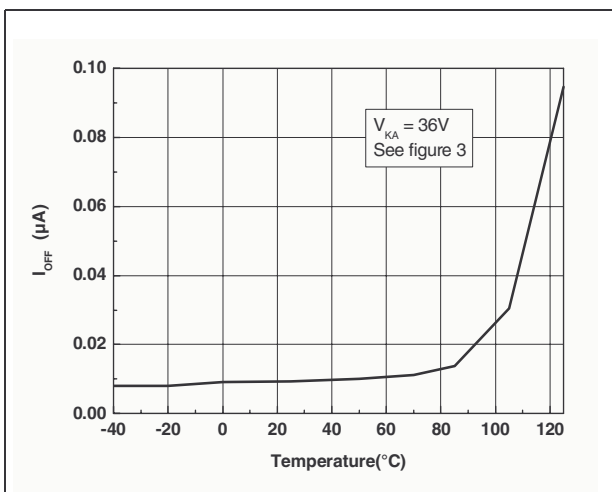


Figure 15. Drift of R_{KA} vs. temp.

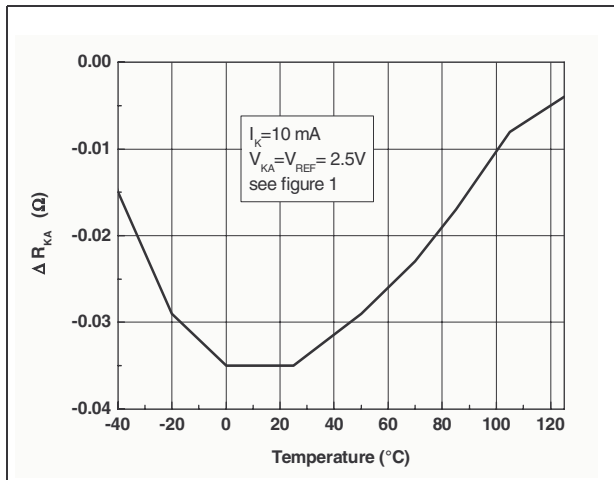


Figure 16. Maximum operating current vs. temp.

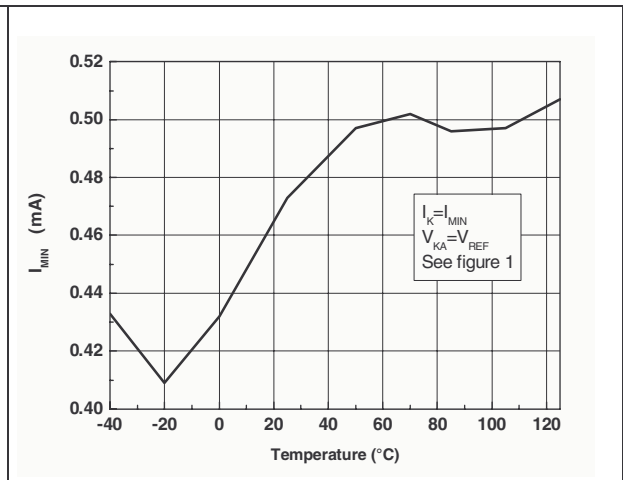


Figure 17. Gain & phase vs. frequency

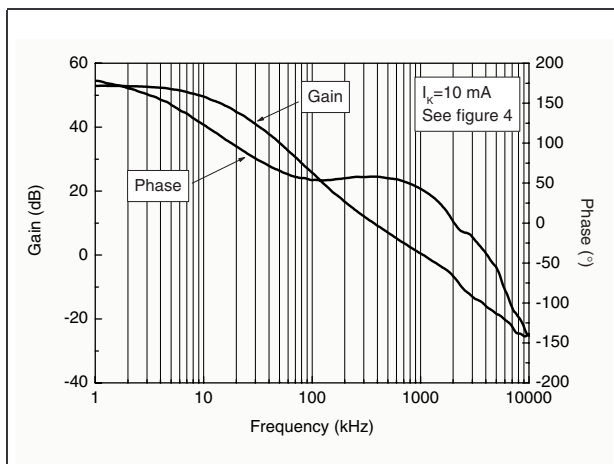


Figure 18. Stability behaviour with capacitive loads

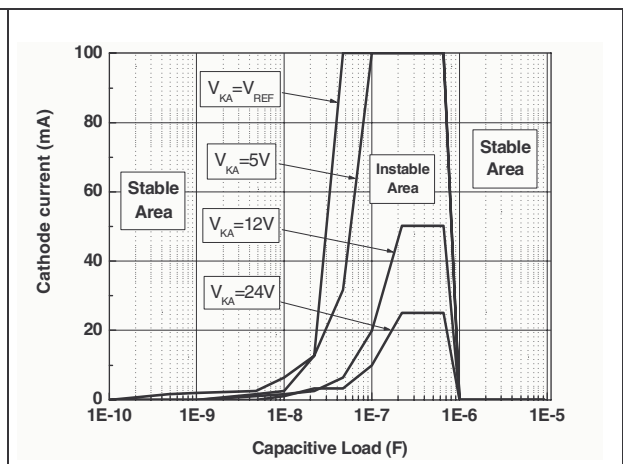


Figure 19. Maximum power dissipation

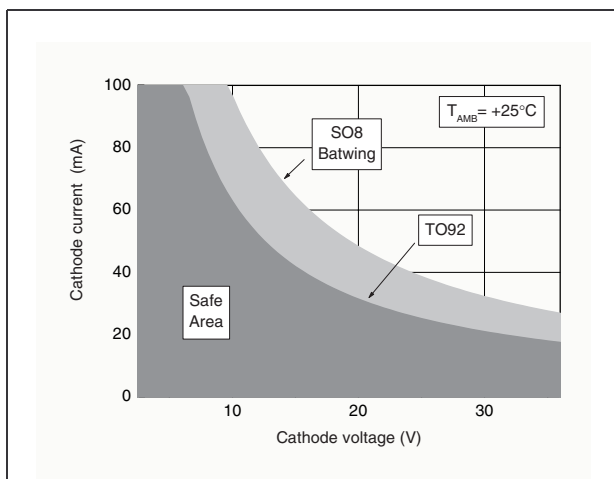
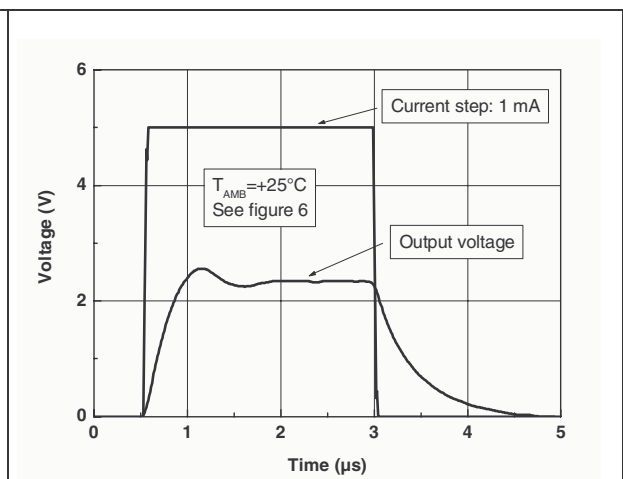


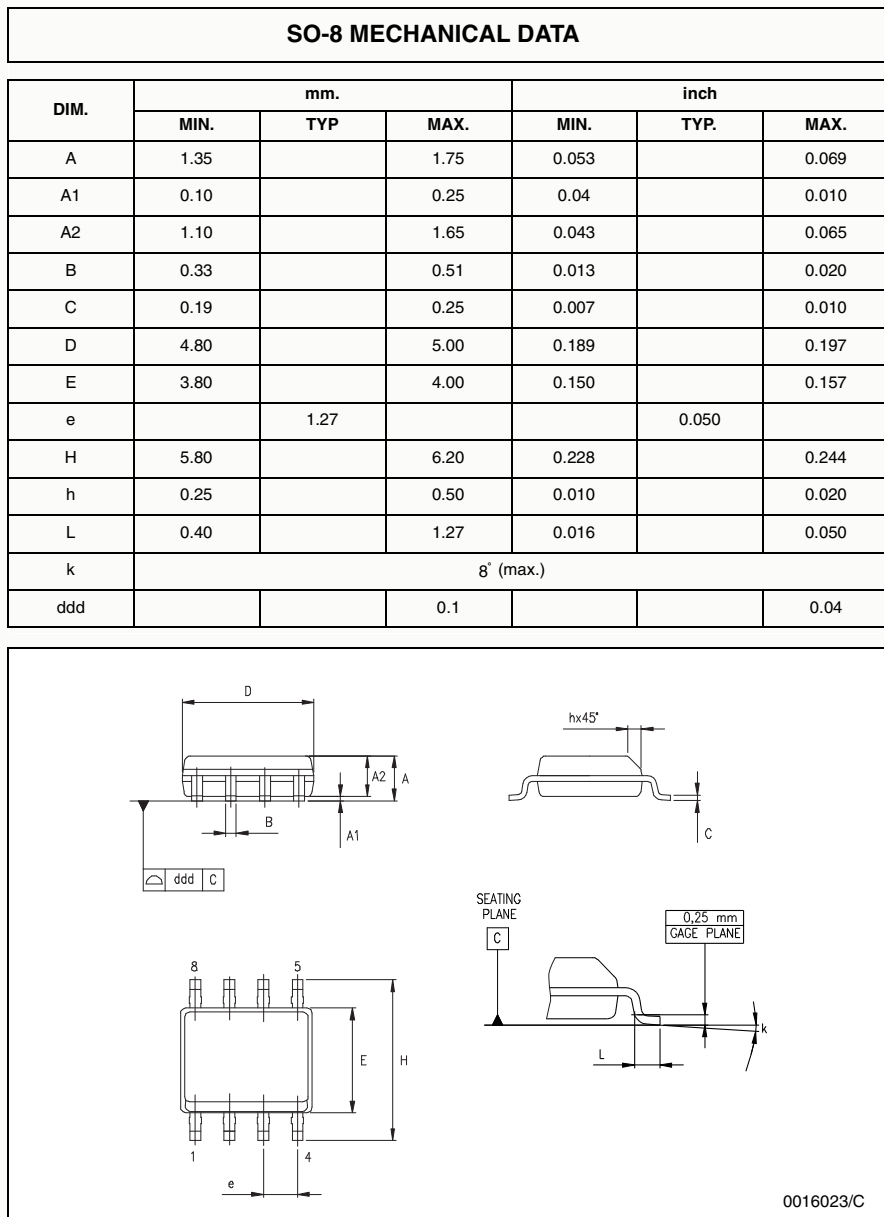
Figure 20. Pulse response for $I_K = 1\text{ mA}$



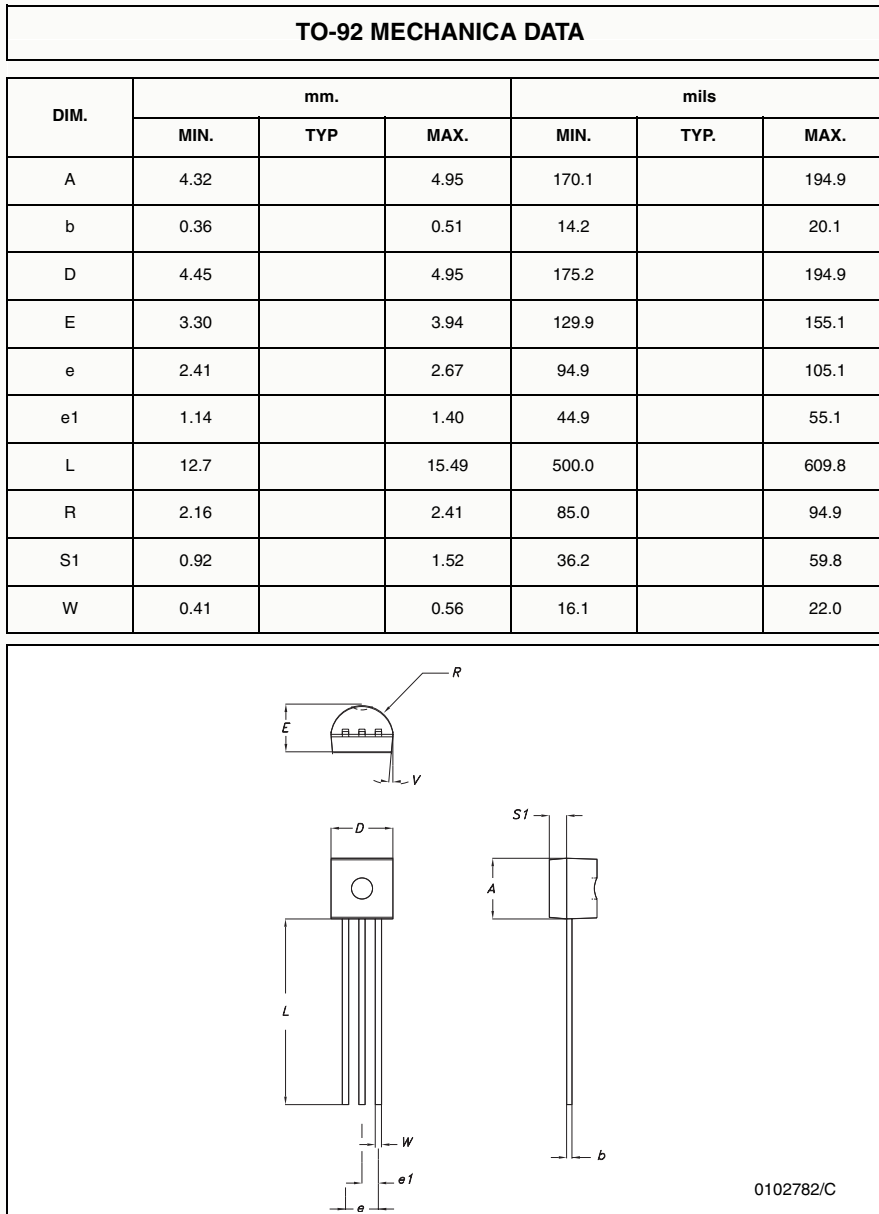
4 Package Mechanical Data

In order to meet environmental requirements, ST offers these devices in ECOPACK[®] packages. These packages have a Lead-free second level interconnect. The category of second level interconnect is marked on the package and on the inner box label, in compliance with JEDEC Standard JESD97. The maximum ratings related to soldering conditions are also marked on the inner box label. ECOPACK is an ST trademark. ECOPACK specifications are available at: www.st.com.

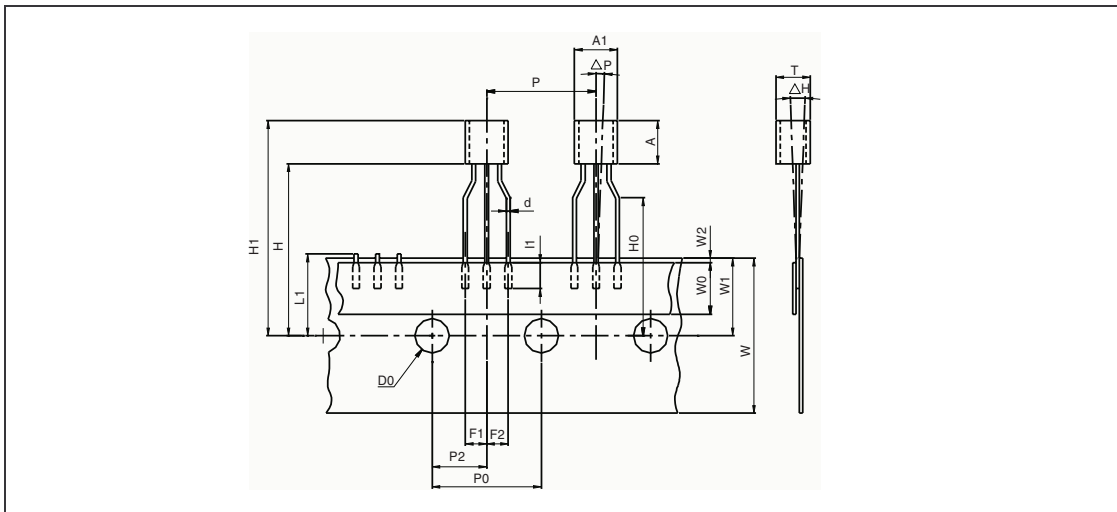
4.1 SO-8 Batwing Package



4.2 TO92 (Tape & Reel) Package

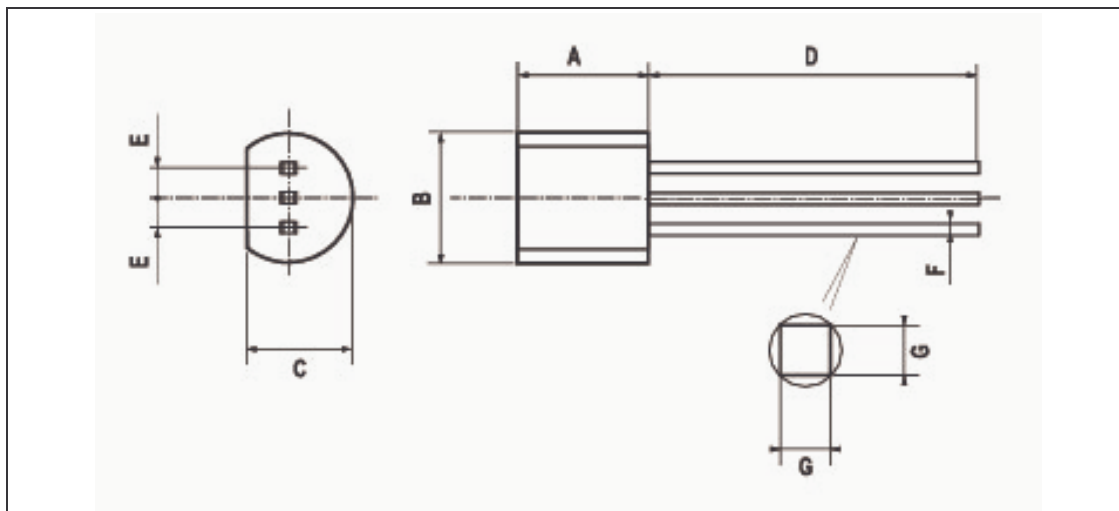


4.3 TO92 (Tape Ammo Pack) Package



Dim.	Millimeters			Inches		
	Min	Typ.	Max.	Min.	Typ.	Max.
AL			5.0			0.197
A			5.0			0.197
T			4.0			0.157
d		0.45			0.018	
l1	2.5			0.098		
P	11.7	12.7	13.7	0.461	0.500	0.539
PO	12.4	12.7	13	0.488	0.500	0.512
P2	5.95	6.35	6.75	0.234	0.250	0.266
F1/F2	2.4	2.5	2.8	0.094	0.098	0.110
Δh	-1	0	1	-0.039	0	0.039
ΔP	-1	0	1	-0.039	0	0.039
W	17.5	18.0	19.0	0.689	0.709	0.748
W0	5.7	6	6.3	0.224	0.236	0.248
W1	8.5	9	9.75	0.335	0.354	0.384
W2			0.5			0.020
H			20			0.787
H0	15.5	16	16.5	0.610	0.630	0.650
H1			25			0.984
DO	3.8	4.0	4.2	0.150	0.157	0.165
L1			11			0.433

4.4 TO92 (Bulk) Package



Dim.	Millimeters			Inches		
	Min	Typ.	Max.	Min.	Typ.	Max.
L		1.27			0.05	
B	3.2	3.7	4.2	0.126	0.1457	0.1654
O1	4.45	5.00	5.2	0.1752	0.1969	0.2047
C	4.58	5.03	5.33	0.1803	0.198	0.2098
K	12.7			0.5		
O2	0.407	0.5	0.508	0.016	0.0197	0.02
a	0.35			0.0138		

5 Revision History

Date	Revision	Changes
March 2002	1	Initial release.
Nov. 2005	2	PPAP references inserted in the datasheet see <i>Table : Order Codes on page 1</i> .

Information furnished is believed to be accurate and reliable. However, STMicroelectronics assumes no responsibility for the consequences of use of such information nor for any infringement of patents or other rights of third parties which may result from its use. No license is granted by implication or otherwise under any patent or patent rights of STMicroelectronics. Specifications mentioned in this publication are subject to change without notice. This publication supersedes and replaces all information previously supplied. STMicroelectronics products are not authorized for use as critical components in life support devices or systems without express written approval of STMicroelectronics.

The ST logo is a registered trademark of STMicroelectronics.
All other names are the property of their respective owners

© 2005 STMicroelectronics - All rights reserved

STMicroelectronics group of companies

Australia - Belgium - Brazil - Canada - China - Czech Republic - Finland - France - Germany - Hong Kong - India - Israel - Italy - Japan - Malaysia - Malta - Morocco - Singapore - Spain - Sweden - Switzerland - United Kingdom - United States of America

www.st.com