



UM603S

LINEAR INTEGRATED CIRCUIT

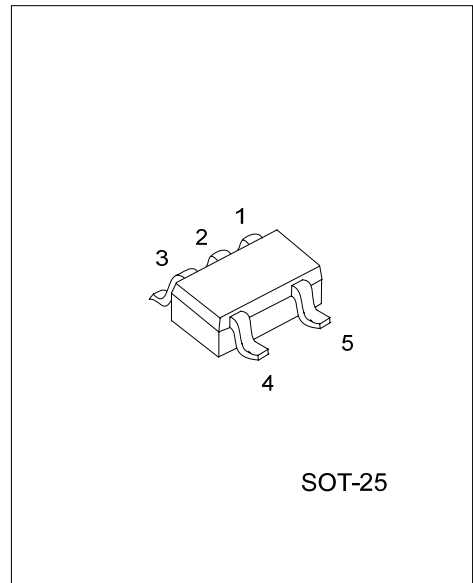
OPERATIONAL AMPLIFIERS WITH 2.5V SHUNT REGULATOR

DESCRIPTION

UTC **UM603S** that is designed to include 2 op amp and one shunt regulator for battery charger and AC adapter application.

FEATURES

- * Small SOT-25 package
- * Internal accurate 2.5V V_{REF}
- * Reduced external components



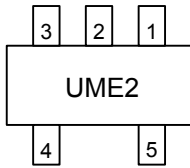
*Pb-free plating product number:UM603SL

ORDERING INFORMATION

Order Number		Package	Packing
Normal	Lead Free Plating		
UM603S-AF5-R	UM603SL-AF5-R	SOT-25	Tape Reel

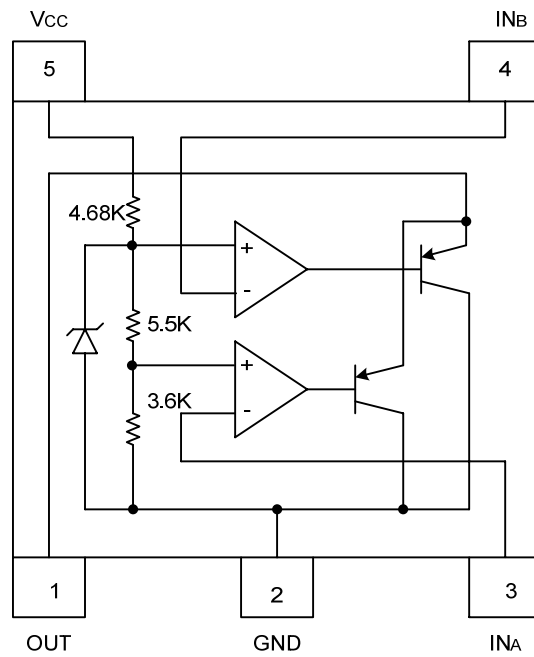
<p>UM603SL-AF5-R</p> <p>(1)Packing Type (2)Package Type (3)Lead Plating</p>	<p>(1) R: Tape Reel (2) AF5: SOT-25 (3) L: Lead Free Plating, Blank: Pb/Sn</p>
---	--

■ MARKING AND PIN DESCRIPTION



PIN NO.	PIN NAME	FUNCTION	INTERNAL CIRCUIT DIAGRAM
1	OUT	Output Pin	
2	GND	Ground	
3	IN _A	Input Pin	
4	IN _B		
5	V _{CC}	Supply Voltage	

■ BLOCK DIAGRAM



■ ABSOLUTE MAXIMUM RATINGS (Ta = 25°C)

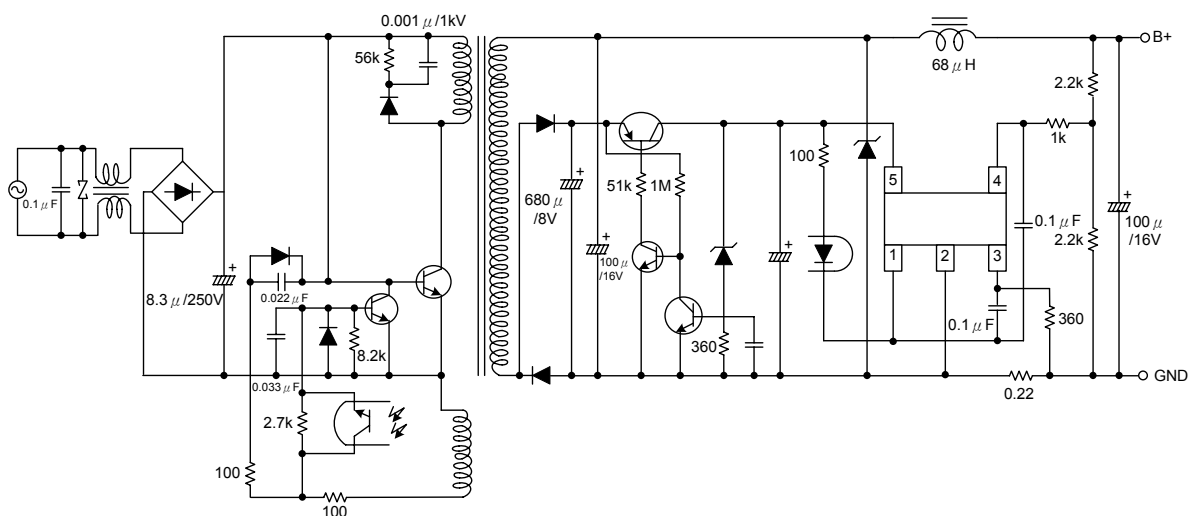
PARAMETER	SYMBOL	RATINGS	UNIT
Supply Voltage	V _{CC}	-0.3 ~ +20	V
Recommended Operating Voltage	V _{OPR}	+4 ~ +20	V
Allowable loss	P _D	250	mW
Operating Temperature	T _{OPR}	-25 ~ +85	°C
Storage Temperature	T _{STG}	-40 ~ +125	°C

Note: Absolute maximum ratings are those values beyond which the device could be permanently damaged. Absolute maximum ratings are stress ratings only and functional device operation is not implied.

■ ELECTRICAL CHARACTERISTICS (V_{CC}=5V, Ta=25°C, unless otherwise specified.)

PARAMETER	SYMBOL	TEST CONDITIONS	MIN	TYP	MAX	UNIT
Current Consumption	I _{CC}	IN _A =0V, IN _B =0V, R _L =∞		1.2	1.7	mA
A Amplifier						
Output Inverting Voltage	V _A	IN _A =0V, R _L =4.3k	2.45	2.50	2.55	V
Output Sink Current	I _{O(SINK A)}	IN _B =2.7V, IN _A =0V, V _{OUT} =1.5V	5			mA
Input Bias Current	I _{I(BIAS A)}	IN _A =0V, R _L =4.3k		50	140	nA
PSRR	PSRR(A)	IN _A =0V, R _L =4.3k	62			dB
B Amplifier						
Output Inverting Voltage	V _B	IN _B =0V, R _L =4.3k	152		160	mV
Output Sink Current	I _{O(SINK B)}	IN _B =0V, IN _A =0.17V, V _{OUT} =1.5V	5			mA
Input Bias Current	I _{I(BIAS B)}	IN _B =0V, R _L =4.3k		50	140	nA
PSRR	PSRR(B)	IN _B =0V, R _L =4.3k	65			dB

APPLICATION CIRCUIT



UTC assumes no responsibility for equipment failures that result from using products at values that exceed, even momentarily, rated values (such as maximum ratings, operating condition ranges, or other parameters) listed in products specifications of any and all UTC products described or contained herein. UTC products are not designed for use in life support appliances, devices or systems where malfunction of these products can be reasonably expected to result in personal injury. Reproduction in whole or in part is prohibited without the prior written consent of the copyright owner. The information presented in this document does not form part of any quotation or contract, is believed to be accurate and reliable and may be changed without notice.