

74LVT16245 • 74LVTH16245

Low Voltage 16-Bit Transceiver with 3-STATE Outputs

General Description

The LVT16245 and LVTH16245 contain sixteen non-inverting bidirectional buffers with 3-STATE outputs and is intended for bus oriented applications. The device is byte controlled. Each byte has separate control inputs which can be shorted together for full 16-bit operation. The T/R inputs determine the direction of data flow through the device. The OE inputs disable both the A and B ports by placing them in a high impedance state.

The LVTH16245 data inputs include bushold, eliminating the need for external pull-up resistors to hold unused inputs.

These non-inverting transceivers are designed for low-voltage (3.3V) V_{CC} applications, but with the capability to provide a TTL interface to a 5V environment. The LVT16245 and LVTH16245 are fabricated with an advanced BiCMOS technology to achieve high speed operation similar to 5V ABT while maintaining low power dissipation.

Features

- Input and output interface capability to systems at 5V V_{CC}
- Bushold data inputs eliminate the need for external pull-up resistors to hold unused inputs (74LVTH16245), also available without bushold feature (74LVT16245).
- Live insertion/extraction permitted
- Power Up/Down high impedance provides glitch-free bus loading
- Outputs source/sink -32 mA/+64 mA
- Functionally compatible with the 74 series 16245
- Latch-up performance exceeds 500 mA
- ESD performance:
Human-body model >2000V
Machine model >200V
Charged-device >1000V
- Also packaged in plastic Fine-Pitch Ball Grid Array (FBGA) (Preliminary)

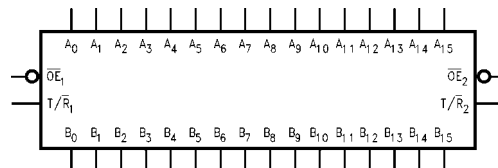
Ordering Code:

| Order Number | Package Number | Package Description |
|----------------------------|-------------------------|---|
| 74LVT16245GX (Note 1) | BGA54A (Preliminary) | 54-Ball Fine-Pitch Ball Grid Array (FBGA), JEDEC MO-205, 5.5mm Wide [Tape and Reel] |
| 74LVT16245MEA (Note 2) | MS48A | 48-Lead Small Shrink Outline Package (SSOP), JEDEC MO-118, 0.300" Wide |
| 74LVT16245MTD (Note 2) | MTD48 | 48-Lead Thin Shrink Small Outline Package (TSSOP), JEDEC MO-153, 6.1mm Wide |
| 74LVTH16245GX (Note 1) | BGA54A (Preliminary) | 54-Ball Fine-Pitch Ball Grid Array (FBGA), JEDEC MO-205, 5.5mm Wide [Tape and Reel] |
| 74LVTH16245MEA (Note 2) | MS48A | 48-Lead Small Shrink Outline Package (SSOP), JEDEC MO-118, 0.300" Wide |
| 74LVTH16245MTD (Note 2) | MTD48 | 48-Lead Thin Shrink Small Outline Package (TSSOP), JEDEC MO-153, 6.1mm Wide |

Note 1: BGA package available in Tape and Reel only.

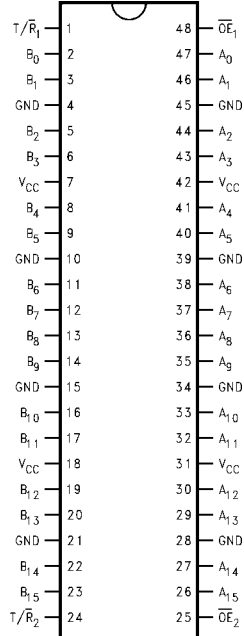
Note 2: Devices also available in Tape and Reel. Specify by appending suffix letter "X" to the ordering code.

Logic Symbol

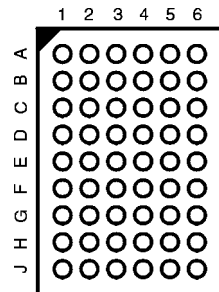


Connection Diagrams

Pin Assignment for SSOP and TSSOP



Pin Assignment for FBGA



(Top Thru View)

Pin Descriptions

| Pin Names | Description |
|--------------------|----------------------------------|
| \overline{OE}_n | Output Enable Input (Active LOW) |
| T/\overline{R}_n | Transmit/Receive Input |
| A_0 - A_{15} | Side A Inputs/3-STATE Outputs |
| B_0 - B_{15} | Side B Inputs/3-STATE Outputs |
| NC | No Connect |

FBGA Pin Assignments

| | 1 | 2 | 3 | 4 | 5 | 6 |
|---|----------|----------|--------------------|-------------------|----------|----------|
| A | B_0 | NC | T/\overline{R}_1 | \overline{OE}_1 | NC | A_0 |
| B | B_2 | B_1 | NC | NC | A_1 | A_2 |
| C | B_4 | B_3 | V_{CC} | V_{CC} | A_3 | A_4 |
| D | B_6 | B_5 | GND | GND | A_5 | A_6 |
| E | B_8 | B_7 | GND | GND | A_7 | A_8 |
| F | B_{10} | B_9 | GND | GND | A_9 | A_{10} |
| G | B_{12} | B_{11} | V_{CC} | V_{CC} | A_{11} | A_{12} |
| H | B_{14} | B_{13} | NC | NC | A_{13} | A_{14} |
| J | B_{15} | NC | T/\overline{R}_2 | \overline{OE}_2 | NC | A_{15} |

Truth Tables

| Inputs | | Outputs |
|-------------------|--------------------|---|
| \overline{OE}_1 | T/\overline{R}_1 | |
| L | L | Bus B_0 - B_7 Data to Bus A_0 - A_7 |
| L | H | Bus A_0 - A_7 Data to Bus B_0 - B_7 |
| H | X | HIGH-Z State on A_0 - A_7, B_0 - B_7 |

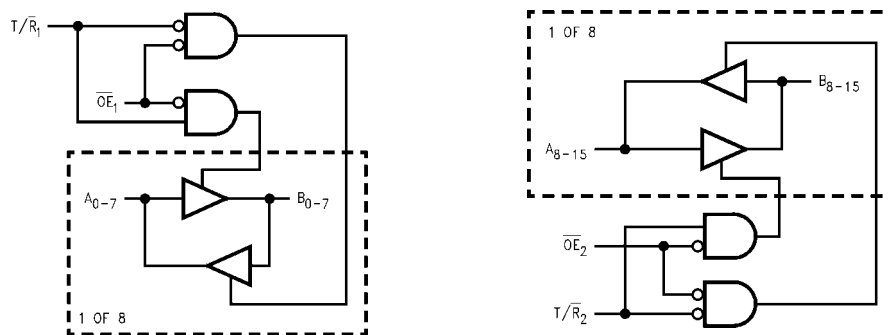
| Inputs | | Outputs |
|-------------------|--------------------|---|
| \overline{OE}_2 | T/\overline{R}_2 | |
| L | L | Bus B_8 - B_{15} Data to Bus A_8 - A_{15} |
| L | H | Bus A_8 - A_{15} Data to Bus B_8 - B_{15} |
| H | X | HIGH-Z State on A_8 - A_{15}, B_8 - B_{15} |

H = HIGH Voltage Level
 L = LOW Voltage Level
 X = Immaterial
 Z = High Impedance

Functional Description

The LVT16245 and LVTH16245 contain sixteen non-inverting bidirectional buffers with 3-STATE outputs. The device is byte controlled with each byte functioning identically, but independent of the other. The control pins can be shorted together to obtain full 16-bit operation.

Logic Diagrams



Note: Please note that these diagrams are provided only for the understanding of logic operations and should not be used to estimate propagation delays.

Absolute Maximum Ratings (Note 3)

| Symbol | Parameter | Value | Conditions | Units |
|-----------|----------------------------------|--------------|--------------------------------------|-------|
| V_{CC} | Supply Voltage | -0.5 to +4.6 | | V |
| V_I | DC Input Voltage | -0.5 to +7.0 | | V |
| V_O | Output Voltage | -0.5 to +7.0 | Output in 3-STATE | V |
| | | -0.5 to +7.0 | Output in HIGH or LOW State (Note 4) | |
| I_{IK} | DC Input Diode Current | -50 | $V_I < GND$ | mA |
| I_{OK} | DC Output Diode Current | -50 | $V_O < GND$ | mA |
| I_O | DC Output Current | 64 | Output at HIGH State, $V_O > V_{CC}$ | mA |
| | | 128 | Output at LOW State, $V_O > V_{CC}$ | |
| I_{CC} | DC Supply Current per Supply Pin | ±64 | | mA |
| I_{GND} | DC Ground Current per Ground Pin | ±128 | | mA |
| T_{STG} | Storage Temperature Range | -65 to +150 | | °C |

Recommended Operating Conditions

| Symbol | Parameter | Min | Max | Units |
|---------------------|---|-----|-----|-------|
| V_{CC} | Supply Voltage | 2.7 | 3.6 | V |
| V_I | Input Voltage | 0 | 5.5 | V |
| I_{OH} | HIGH-Level Output Current | | -32 | mA |
| I_{OL} | LOW-Level Output Current | | 64 | mA |
| T_A | Free-Air Operating Temperature | -40 | +85 | °C |
| $\Delta t/\Delta V$ | Input Edge Rate, $V_{IN} = 0.8V-2.0V$, $V_{CC} = 3.0V$ | 0 | 10 | ns/V |

Note 3: Absolute Maximum continuous ratings are those values beyond which damage to the device may occur. Exposure to these conditions or conditions beyond those indicated may adversely affect device reliability. Functional operation under absolute maximum rated conditions is not implied.

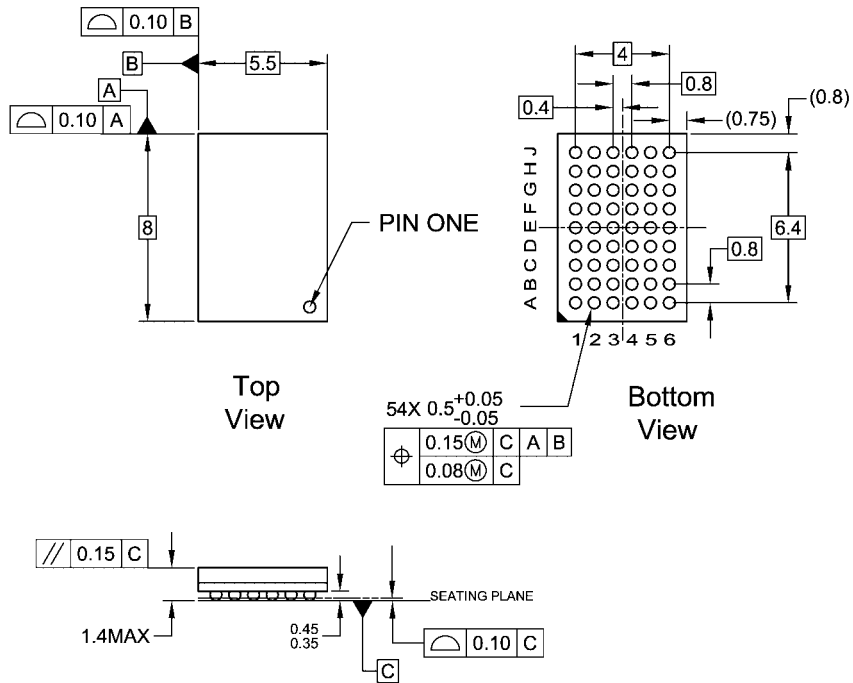
Note 4: I_O Absolute Maximum Ratings must be observed.

DC Electrical Characteristics

| Symbol | Parameter | V_{CC} (V) | $T_A = -40^\circ C$ to $+85^\circ C$ | | Units | Conditions | |
|---------------------------|---|-----------------|--------------------------------------|------|---------|---|------------------------|
| | | | Min | Max | | | |
| V_{IK} | Input Clamp Diode Voltage | 2.7 | | -1.2 | V | $I_I = -18$ mA | |
| V_{IH} | Input HIGH Voltage | 2.7-3.6 | 2.0 | | V | $V_O \leq 0.1V$ or $V_O \geq V_{CC} - 0.1V$ | |
| V_{IL} | Input LOW Voltage | 2.7-3.6 | | 0.8 | V | | |
| V_{OH} | Output HIGH Voltage | 2.7-3.6 | $V_{CC} - 0.2$ | | V | $I_{OH} = -100$ μA | |
| | | 2.7 | 2.4 | | | $I_{OH} = -8$ mA | |
| | | 3.0 | 2.0 | | | $I_{OH} = -32$ mA | |
| V_{OL} | Output LOW Voltage | 2.7 | | 0.2 | V | $I_{OL} = 100$ μA | |
| | | 2.7 | | 0.5 | | $I_{OL} = 24$ mA | |
| | | 3.0 | | 0.4 | | $I_{OL} = 16$ mA | |
| | | 3.0 | | 0.5 | | $I_{OL} = 32$ mA | |
| | | 3.0 | | 0.55 | | $I_{OL} = 64$ mA | |
| $I_{I(HOLD)}$ (Note 5) | Bushold Input Minimum Drive | 3.0 | 75 | | μA | $V_I = 0.8V$ | |
| | | | -75 | | | $V_I = 2.0V$ | |
| $I_{I(OD)}$ (Note 5) | Bushold Input Over-Drive Current to Change State | 3.0 | 500 | | μA | (Note 6) | |
| | | | -500 | | | (Note 7) | |
| I_I | Input Current | 3.6 | | 10 | μA | $V_I = 5.5V$ | |
| | | Control Pins | 3.6 | | | ±1 | $V_I = 0V$ or V_{CC} |
| | | | Data Pins | 3.6 | | | -5 |
| | | | | 1 | | $V_I = V_{CC}$ | |
| I_{OFF} | Power Off Leakage Current | 0 | | ±100 | μA | $0V \leq V_I$ or $V_O \leq 5.5V$ | |
| $I_{PU/PD}$ | Power Up/Down 3-STATE Output Current | 0-1.5 | | ±100 | μA | $V_O = 0.5V$ to $3.0V$ $V_I = GND$ or V_{CC} | |
| I_{OZL} | 3-STATE Output Leakage Current | 3.6 | | -5 | μA | $V_O = 0.5V$ | |
| I_{OZL} (Note 5) | 3-STATE Output Leakage Current | 3.6 | | -5 | μA | $V_O = 0.0V$ | |

| DC Electrical Characteristics (Continued) | | | | | | | |
|---|--|--|---------------------------------|------------------------|-------|---|---|
| Symbol | Parameter | V _{CC} (V) | T _A = -40°C to -85°C | | Units | Conditions | |
| | | | Min | Max | | | |
| I _{OZH} | 3-STATE Output Leakage Current | 3.6 | | 5 | μA | V _O = 3.0V | |
| I _{OZH} (Note 5) | 3-STATE Output Leakage Current | 3.6 | | 5 | μA | V _O = 3.6V | |
| I _{OZH} ⁺ | 3-STATE Output Leakage Current | 3.6 | | 10 | μA | V _{CC} < V _O ≤ 5.5V | |
| I _{CCH} | Power Supply Current | 3.6 | | 0.19 | mA | Outputs HIGH | |
| I _{CCL} | Power Supply Current | 3.6 | | 5.0 | mA | Outputs LOW | |
| I _{CCZ} | Power Supply Current | 3.6 | | 0.19 | mA | Outputs Disabled | |
| I _{CCZ} ⁺ | Power Supply Current | 3.6 | | 0.19 | mA | V _{CC} ≤ V _O ≤ 5.5V, Outputs Disabled | |
| ΔI _{CC} (Note 8) | Increase in Power Supply Current | 3.6 | | 0.2 | mA | One Input at V _{CC} - 0.6V Other Inputs at V _{CC} or GND | |
| <p>Note 5: Applies to bushold versions only (74LVTH16245).</p> <p>Note 6: An external driver must source at least the specified current to switch from LOW-to-HIGH.</p> <p>Note 7: An external driver must sink at least the specified current to switch from HIGH-to-LOW.</p> <p>Note 8: This is the increase in supply current for each input that is at the specified voltage level rather than V_{CC} or GND.</p> | | | | | | | |
| Dynamic Switching Characteristics (Note 9) | | | | | | | |
| Symbol | Parameter | V _{CC} (V) | T _A = 25°C | | | Units | Conditions C _L = 50 pF, R _L = 500Ω |
| | | | Min | Typ | Max | | |
| V _{OLP} | Quiet Output Maximum Dynamic V _{OL} | 3.3 | | 0.8 | | V | (Note 10) |
| V _{OLV} | Quiet Output Minimum Dynamic V _{OL} | 3.3 | | -0.8 | | V | (Note 10) |
| <p>Note 9: Characterized in SSOP package. Guaranteed parameter, but not tested.</p> <p>Note 10: Max number of outputs defined as (n). n-1 data inputs are driven 0V to 3V. Output under test held LOW.</p> | | | | | | | |
| AC Electrical Characteristics | | | | | | | |
| Symbol | Parameter | T _A = -40°C to -85°C C _L = 50 pF, R _L = 500Ω | | | | Units | |
| | | V _{CC} = 3.3V ± 0.3V | | V _{CC} = 2.7V | | | |
| | | Min | Max | Min | Max | | |
| t _{PLH} | Propagation Delay Data to Output | 1.5 | 3.5 | 1.5 | 3.9 | ns | |
| t _{PHL} | | 1.3 | 3.5 | 1.3 | 3.9 | | |
| t _{PZH} | Output Enable Time | 1.5 | 4.5 | 1.5 | 5.3 | ns | |
| t _{PZL} | | 1.6 | 5.3 | 1.6 | 6.9 | | |
| t _{PHZ} | Output Disable Time | 2.3 | 5.4 | 2.3 | 6.1 | ns | |
| t _{PLZ} | | 2.2 | 5.1 | 2.2 | 5.4 | | |
| t _{OSSL} | Output to Output Skew (Note 11) | | 1.0 | | 1.0 | ns | |
| <p>Note 11: Skew is defined as the absolute value of the difference between the actual propagation delay for any two separate outputs of the same device. The specification applies to any outputs switching in the same direction, either HIGH-to-LOW (t_{OSSL}) or LOW-to-HIGH (t_{OSLH}). Parameter guaranteed by design.</p> | | | | | | | |
| Capacitance (Note 12) | | | | | | | |
| Symbol | Parameter | Conditions | | Typical | Units | | |
| C _{IN} | Input Capacitance | V _{CC} = 0V, V _I = 0V or V _{CC} | | 4 | pF | | |
| C _{IO} | Input/Output Capacitance | V _{CC} = 3.0V, V _O = 0V or V _{CC} | | 8 | pF | | |
| <p>Note 12: Capacitance is measured at frequency f = 1 MHz, per MIL-STD-883, Method 3012.</p> | | | | | | | |

Physical Dimensions inches (millimeters) unless otherwise noted



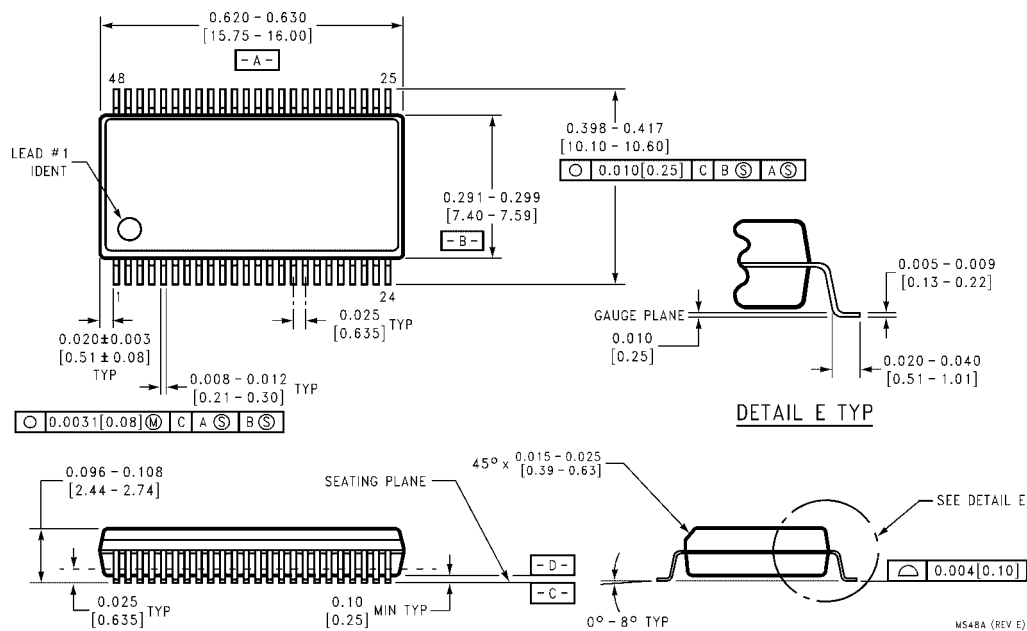
NOTES:

- A. THIS PACKAGE CONFORMS TO JEDEC M0-205
- B. ALL DIMENSIONS IN MILLIMETERS
- C. LAND PATTERN RECOMMENDATION: NSMD (Non Solder Mask Defined)
.35MM DIA PADS WITH A SOLDERMASK OPENING OF .45MM CONCENTRIC TO PADS
- D. DRAWING CONFORMS TO ASME Y14.5M-1994

BGA54ArevD

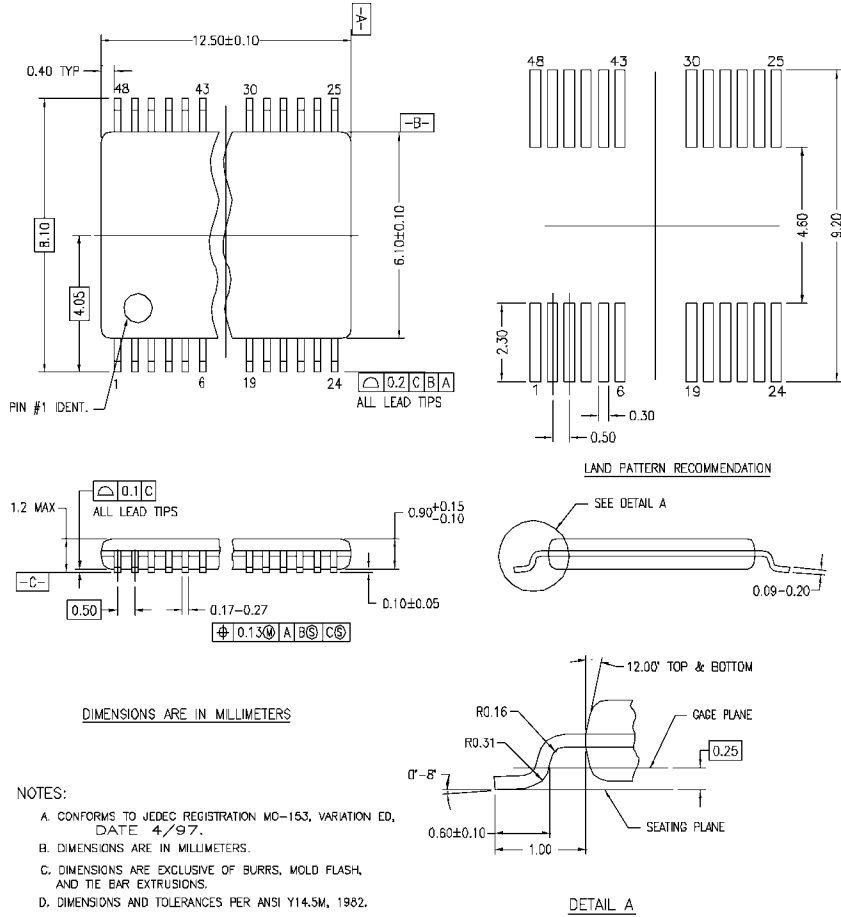
**54-Ball Fine-Pitch Ball Grid Array (FBGA), JEDEC MO-205, 5.5mm Wide
Package Number BGA54A
Preliminary**

Physical Dimensions inches (millimeters) unless otherwise noted (Continued)



**48-Lead Small Shrink Outline Package (SSOP), JEDEC MO-118, 0.300" Wide
Package Number MS48A**

Physical Dimensions inches (millimeters) unless otherwise noted (Continued)



MTD48REV C

48-Lead Thin Shrink Small Outline Package (TSSOP), JEDEC MO-153, 6.1mm Wide Package Number MTD48

Fairchild does not assume any responsibility for use of any circuitry described, no circuit patent licenses are implied and Fairchild reserves the right at any time without notice to change said circuitry and specifications.

LIFE SUPPORT POLICY

FAIRCHILD'S PRODUCTS ARE NOT AUTHORIZED FOR USE AS CRITICAL COMPONENTS IN LIFE SUPPORT DEVICES OR SYSTEMS WITHOUT THE EXPRESS WRITTEN APPROVAL OF THE PRESIDENT OF FAIRCHILD SEMICONDUCTOR CORPORATION. As used herein:

- Life support devices or systems are devices or systems which, (a) are intended for surgical implant into the body, or (b) support or sustain life, and (c) whose failure to perform when properly used in accordance with instructions for use provided in the labeling, can be reasonably expected to result in a significant injury to the user.
- A critical component in any component of a life support device or system whose failure to perform can be reasonably expected to cause the failure of the life support device or system, or to affect its safety or effectiveness.

www.fairchildsemi.com