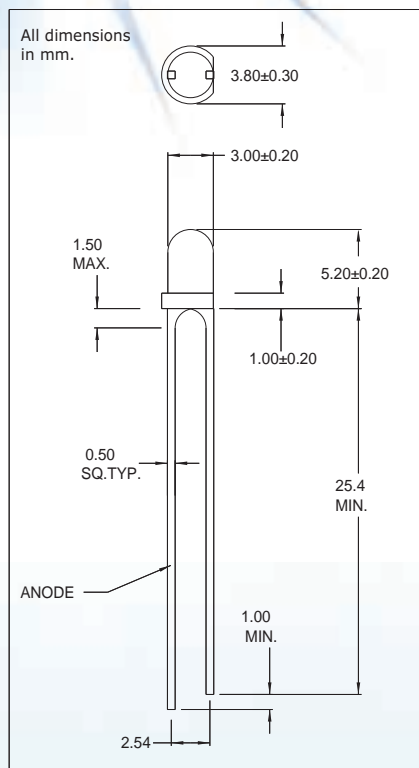


CMD204 UWC Series T-1 White LED
DESCRIPTION AND FEATURES

ELECTRO-OPTICAL CHARACTERISTICS AND RATINGS

PART NUMBER	CMD204UWC
Output Color	White
Diffusion	Non-Diffused
Package Color	Clear
Test Current (mA)	20
Forward Voltage Typ. (V)	3.7
Forward Voltage Max. (V)	3.85
Luminous Intensity Min. (mcd)	700
Luminous Intensity Typ. (mcd)	1000
Luminous Intensity Max. (mcd)	-
Peak Wavelength (nm)	475
Viewing Angle (degrees)	22
Power Dissipation (mW)	120
Operating Temperature (°C)	-20 to +70
Storage Temperature (°C)	-30 to +100
Peak Forward Current Max. (1µs @ 10% duty cycle) (mA)	100
Reverse Voltage (IR=100µA) (V)	5.0
Lead Solder Time @ 260°C	5