

IR2C32A 7-Unit 60mA Transistor Array

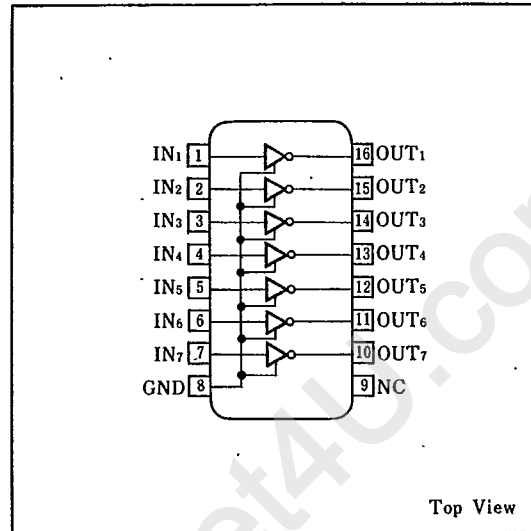
■ Description

The IR2C32A is a 7-circuit driver.

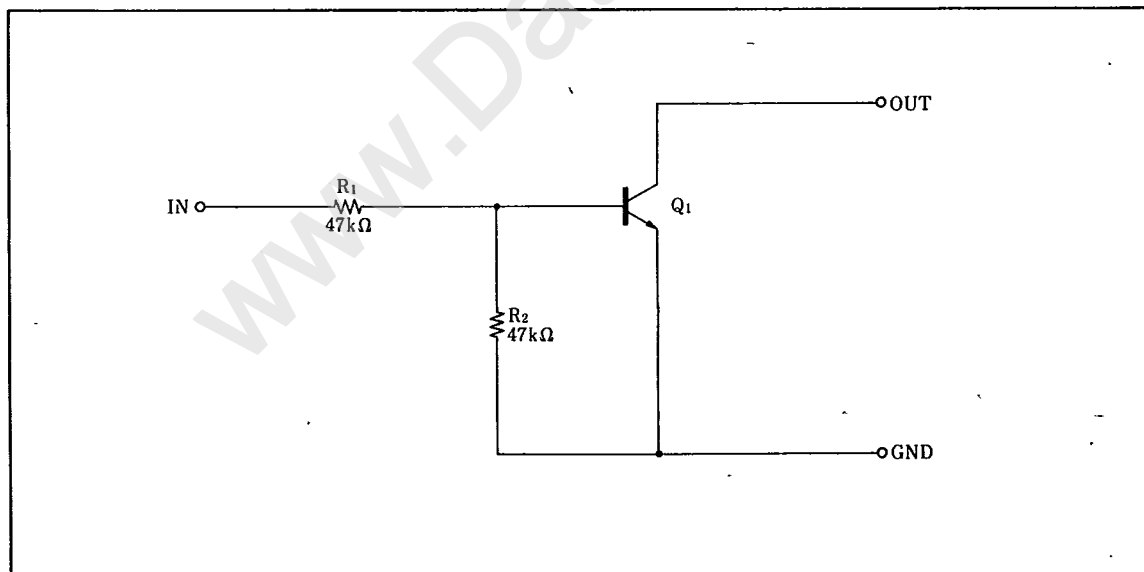
■ Features

1. Output breakdown voltage
 $BV_{CEO} = 20V$ (MAX.)
2. Output current capability $I_{OUT} = 60mA$ (MAX.)
3. 16-pin dual-in-line package

■ Pin Connections



■ Equivalent Circuit



7-Unit 60mA Transistor Array

IR2C32A

■ Absolute Maximum Ratings

(Ta=25°C)

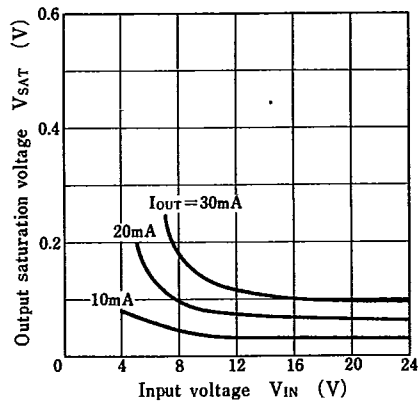
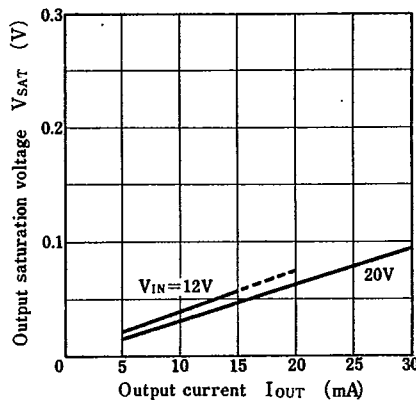
Parameter	Symbol	Condition	Rating	Unit
Output breakdown voltage	BV_{CEO}		20	V
Output current	I_{OUT}		60	mA
Input voltage	V_{IN}		0~25	V
Power dissipation	P_D	Ta≤25°C	950	mW
P_D derating ratio	$\Delta P_D/^\circ C$	Ta>25°C	9.5	mW/°C
Operating temperature	T_{OPR}		-20~+85	°C
Storage temperature	T_{STG}		-55~+150	°C

■ Electrical Characteristics

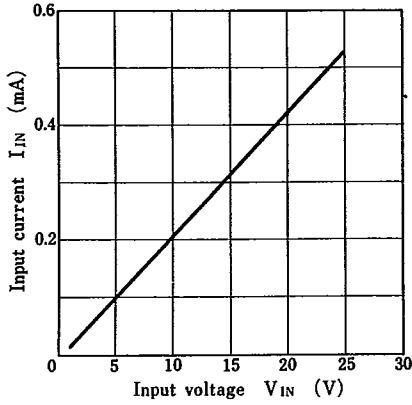
(Ta=-20~+85°C)

Parameter	Symbol	Condition	MIN.	TYP.	MAX.	Unit
OFF-state output current	$I_{O\ OFF}$	$V_{CEO}=20V, V_{IN}=0.2V$			10	μA
ON-state output current	$V_{O\ ON}$	$I_{OUT}=30mA, V_{IN}=20V$		0.15	0.3	V
		$I_{OUT}=15mA, V_{IN}=12V$		0.07	0.15	
Input current	I_{IN}	$V_{IN}=20V$		0.4	0.8	mA
		$V_{IN}=12V$		0.25	0.5	
Input "High" voltage	V_{IH}	$I_{OUT}=30mA, V_{CEO}=0.3V$	20			V
		$I_{OUT}=15mA, V_{CEO}=0.15V$	12			
Input "Low" voltage	V_{IL}				0.2	V

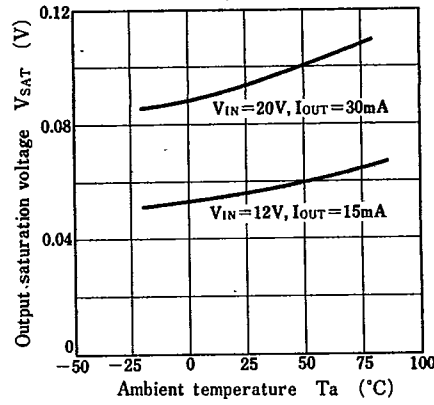
■ Electrical Characteristic Curves (Unless otherwise specified, Ta=25°C)

Output saturation voltage—
Input voltage CharacteristicsOutput saturation voltage—
Output current Characteristics

Input current— Input voltage Characteristics



Output saturation voltage — Ambient temperature Characteristics



Input current— Ambient temperature Characteristics

