

FU-450SDF-FW41Mx3B**1.31 μm DFB-LD MODULE WITH SINGLEMODE FIBER PIGTAIL****DESCRIPTION**

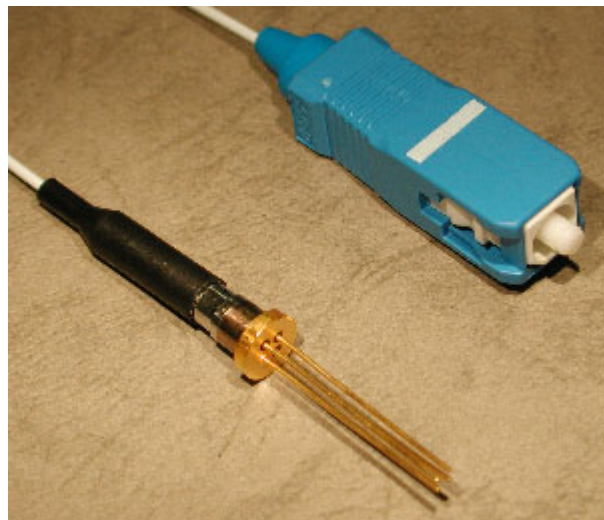
Module type FU-450SDF-FW41Mx3B is a 1.3 μm coaxial Uncooled DFB-LD module with single-mode optical fiber. This module is suitable for a light source of analog applications such optical repeater systems.

FEATURES

- ℓ High linearity multi quantum wells (MQW) DFB-LD
- ℓ Emission wavelength is in 1.3 μm band
- ℓ Built-in optical isolator
- ℓ Coaxial package
- ℓ With photodiode for optical output monitor

APPLICATION

Optical repeater systems.
Analog transmission systems

**ABSOLUTE MAXIMUM RATINGS** ($T_c=25^\circ\text{C}$)

Parameter		Symbol	Conditions	Rating	Unit
Laser diode	Optical output power	Pf	CW	9	mW
	Forward current	If	CW	150	mA
	Reverse voltage	Vrl	-	2	V
Photodiode	Reverse voltage	Vrd	-	20	V
	Forward current	Ifd	-	2	mA
Operating case temperature		Tc	-	-20 ~ +85	$^\circ\text{C}$
Storage temperature		Tstg	-	-40 ~ +85	$^\circ\text{C}$

FU-450SDF-FW41Mx3B1.31 μm DFB-LD MODULE WITH SINGLEMODE FIBER PIGTAIL**ELECTRICAL/OPTICAL CHARACTERISTICS** ($T_c=25^\circ\text{C}$, unless otherwise noted)

Parameter	Symbol	Test Conditions	Limits			Unit	
			Min.	Typ.	Max.		
Threshold current	I _{th}	CW	-	10	20	mA	
Optical output power at threshold current	P _{th}	CW, I _{bias} =I _{th}	-	-	100	μW	
Operating current	I _{op}	CW, P _f =4mW	-	35	55	mA	
Operating voltage	V _{op}	CW, P _f =4mW	-	1.2	1.5	V	
Modulation Current (I _{op} -I _{th})	I _{mod}	CW, P _f =4mW	20	30	45	mA	
Differential Efficiency	η	CW, P _f =4mW	T _c =25°C	0.1	0.13	-	mA
			T _c =85°C	0.05	0.07	-	
Differential impedance	R _s	-	3	6	10	Ω	
Optical output power from fiber end	P _f	CW, nominal	4			mW	
Light-emission central wavelength	λ_c	CW, APC	1300	1310	1320	nm	
Wavelength temperature coefficient	λ_{ct}	CW, APC	-	0.1	0.11	nm/°C	
Side mode suppression ratio	S _r	CW, APC	30	45	-	dB	
Relative intensity noise	N _r	CW, APC, f=2000MHz	-	-155	-145	dB/Hz	
Tracking error (Note 2)	E _r	CW, APC	-	0.5	1.25	dB	
3rd order distortion	D ₃	2 tone test f ₁ =1997MHz, f ₂ =2003MHz m=20%/tone, P _f =4mW	-	-	-56	dBc	
Monitor current	I _{mon}	CW, P _f =4mW, V _{rd} =5V	0.05	-	-	mA	
Dark current (PD)	I _d	V _{rd} =5V	-	-	0.1	μA	
Capacitance (PD)	C _t	V _{rd} =5V, f=1MHz	-	-	10	pF	

Note 1) "APC" represents operating LD by a constant monitor current for P_f=4mW at T_c=25°C.Note 2) E_r=max|10×log(P_f / P_f@25°C)|**FIBER PIGTAIL SPECIFICATIONS**

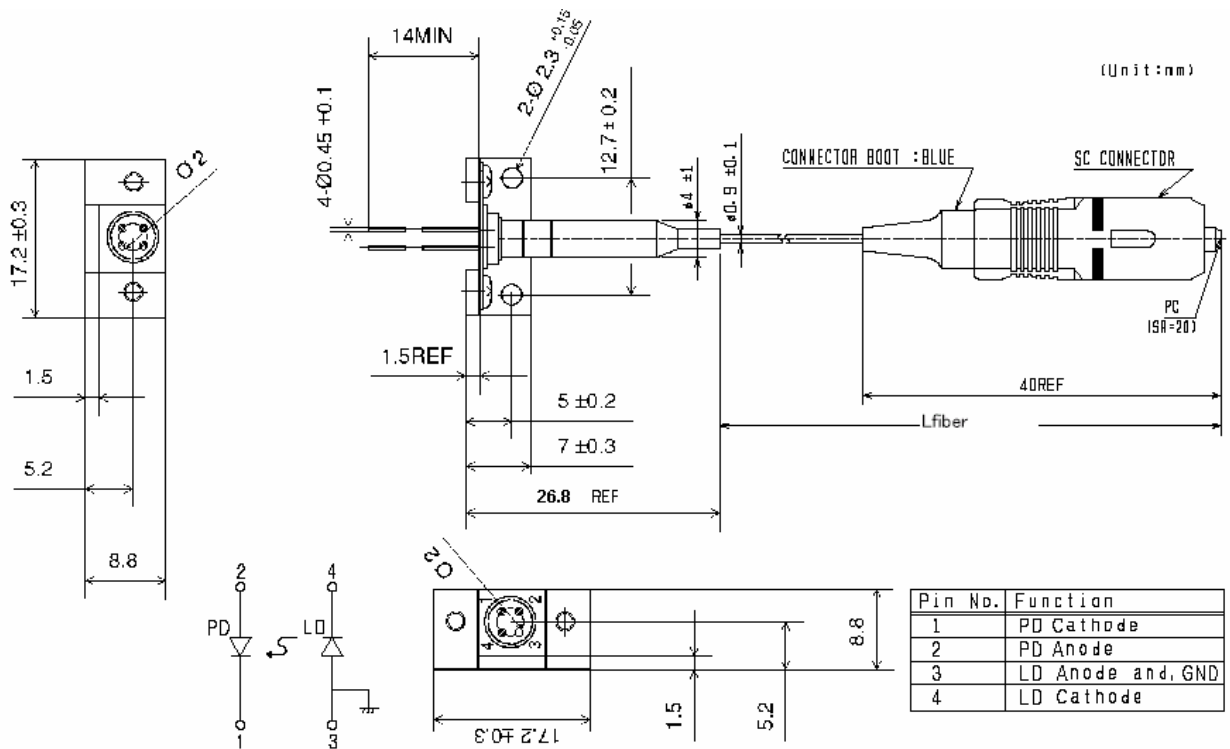
Parameter	Limits	Unit
Type	SM	-
Mode field diameter	9.5+/-1	μm
Cladding diameter	125+/-2	μm
Secondary coating outer diameter	0.9+/-0.1	mm
L _{fiber} (Note 3)	1000+/-100	mm
Connector	SC/PC	-
Optical return loss of connector	40 (min)	dB

Note 3) 'L_{fiber}' is the fiber length that is defined in OUTLINE DIAGRAM.

FU-450SDF-FW41Mx3B

1.31 μm DFB-LD MODULE WITH SINGLEMODE FIBER PIGTAIL

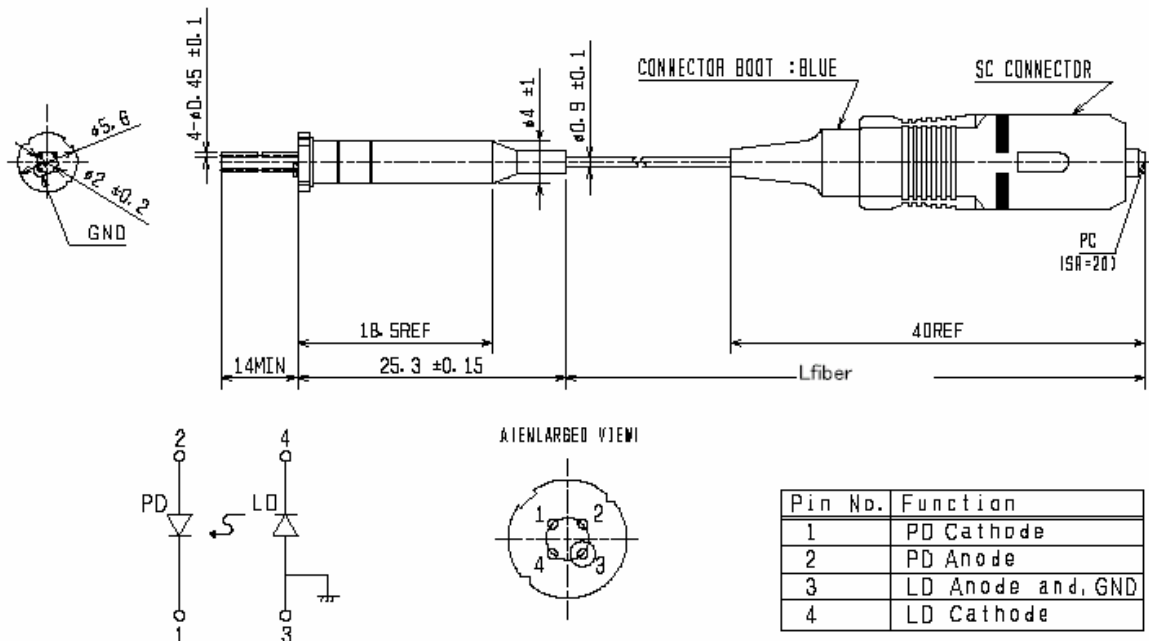
OUTLINE DIAGRAM



FU-450SDF-FW41M13B

NOTE. TOLERANCES UNLESS NOTED ±0.5

(Unit: mm)



FU-450SDF-FW41M33B

FU-450SDF-FW41Mx3B1.31 μm DFB-LD MODULE WITH SINGLEMODE FIBER PIGTAIL**Safety Cautions for Use of Optoelectronic Devices****General:**

Although the manufacturer is always striving to improve the reliability of its product, problems and errors may occur with semiconductor products. Therefore, the user's products are required to be designed with full safety regard to prevent any accidents that results in injury, death, fire or environmental damage even when semiconductor products happen to error. Especially it is recommended to take in consideration about redundancy, fire prevention, error prevention safeguards. And the following requirements must be strictly observed.

Warning!

1. Eye safety : Semiconductor laser radiates laser light during operation. Laser light is very dangerous when shot directly into human eyes. Don't look at laser light directly, or through optics such as a lens. The laser light should be observed using the ITV camera, IR-viewer, or other appropriate instruments.

2. Product handling : The product contains GaAs (gallium arsenide). It is safe for regular use, but harmful to the human body if made into powder or steam. Be sure to avoid dangerous process like smashing, burning, chemical etching. Never put this product in one's mouth or swallow it.

3. Product disposal : This product must be disposed of as special industrial waste. It is necessary to separate it from general industrial waste and general garbage.

Handling Cautions for Optoelectronic Devices**1. General:**

(1) The products described in this specification are designed and manufactured for use in general communication systems or electronic devices, unless their applications or reliability are otherwise specified. Therefore, they are not designed or manufactured for installation in devices or systems that may affect human life or that are used in social infrastructure requiring high reliability.

(2) When the customer is considering to use the products in special applications, such as transportation systems (automobiles, trains, vessels), medical equipments, aerospace, nuclear power control, and submarine repeaters or systems, please contact Mitsubishi Electric or an authorized distributor.

2. Shipping Conditions:

(1) During shipment, place the packing boxes in the correct direction, and fix them firmly to keep them immovable. Placing the boxes upside down, tilting, or applying abnormal pressure onto them may cause deformation in the electrode terminals, breaking of optical fiber, or other problems.

(2) Never throw or drop the packing boxes. Hard impact on the boxes may cause break of the devices.

(3) Take strict precautions to keep the devices dry when shipping under rain or snow.

3. Storage Conditions:

When storing the products, it is recommended to store them following the conditions described below without opening the packing. Not taking enough care in storing may result in defects in electrical characteristics, soldering quality, visual appearance, and so on. The main points are described below (if special storage conditions are given to the product in the specification sheet, they have priority over the following general cautions):

(1) Appropriate temperature and humidity conditions, i.e., temperature range between 5~30°C, and humidity between 40~60 percent RH, should be maintained in storage locations. Controlling the temperature and humidity within this range is particularly important in case of long-term storage for six months or more.

(2) The atmosphere should be particularly free from toxic gases and dust.

(3) Do not apply any load on the product.

(4) Do not cut or bend the leads of the devices which are to be stored. This is to prevent corrosion in the cut or bent part of the lead causing soldering problems in the customer's assembling process.

(5) Sudden change in temperature may cause condensation in the product or packing, therefore, such locations should be avoided for storing. Temperature in storage locations should be stable.

(6) When storing ceramic package products for extended periods of time, the leads may turn reddish due to reaction with sulfur in the atmosphere.

(7) Storage conditions for bare chip and unsealed products shall be stated separately because bare chip and unsealed products require stricter controls than package sealed products.

4. Design Conditions and Environment under Use:

(1) Avoid use in locations where water or organic solvents adhere directly to the product, or where there is any possibility of the generation of corrosive gas, explosive gas, dust, salinity, or other troublesome conditions. Such environments will not only significantly lower the reliability, but also may lead to serious accidents.

(2) Operation in excess of the absolute maximum ratings can cause permanent damage to the device. The customers are requested to design not to exceed those ratings even for a short time.

5. ESD Safety Cautions:

The optoelectronic devices are sensitive to static electricity (ESD, electro-static discharge). The product can be broken by ESD. When handling this product, please observe the following countermeasures:

<Countermeasures against Static Electricity and Surge>

To prevent break of devices by static electricity or surge, please adopt the following countermeasures in the assembly line:

(1) Ground all equipments, machinery jigs, and tools in the process line with earth wires installed in them. Take particular care with hot plates, solder irons and other items for which the commercial power supplies are prone to leakage.

(2) Workers should always use earth bands. Use of antistatic clothing, electric conductive shoes, and other safety equipment while at work is highly recommended.

(3) Use conductive materials for this product's container, etc.

(4) It is recommended that grounding mats be placed on the surfaces of assembly line workbench and the surrounding floor in work area, etc.

(5) When mounting this product in parts or materials which can be electrically charged (printed wiring boards, plastic products, etc.), pay close attention to the static electricity in those parts. ESD may damage the product.

(6) Humidity in working environment should be controlled to be 40 percent RH or higher.

These countermeasures are most general, and there is a need to carefully confirm the line before starting mass production using this product (in the trial production, etc.). It is extremely important to prevent surge, eliminate it rapidly, and prevent it from spreading.