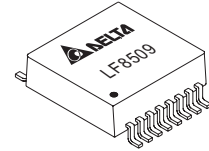




FAST ETHERNET 10BASE-T/100BASE-TX TRANSFORMER MODULES

Networking Components

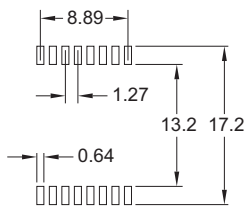
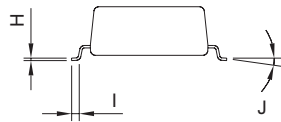
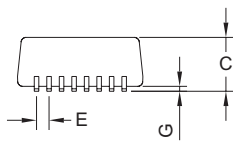
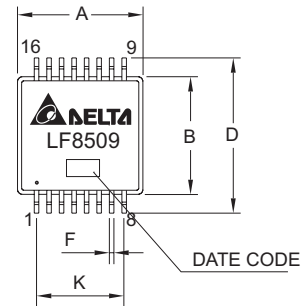


ELECTRICAL CHARACTERISTICS @25°C

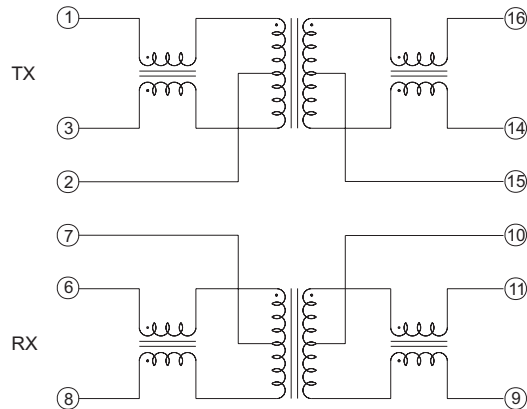
Rise Time & Fall Time @5.0ns (Max), Hi-Pot Test @60Sec, 1500Vrms, OCL @8mA DC Bias 350uH (Min)														
Model	Insertion Loss (dB Max)	Return Loss (dB Min)				Cross Talk (dB Min)				Com. To Com. Rejection Ratio (dB Min)		Diff. To Com. Mode Rejection (dB Min)		Turns Ratio TX/RX (±5%)
		1~100 MHz	2~30 MHz	40 MHz	50 MHz	60~80 MHz	1 MHz	30 MHz	60 MHz	100 MHz	1~60 MHz	60~100 MHz	1~60 MHz	
LF8509	-1.0	-18	-17	-14.5	-12	-65	-55	-45	-35	-40	-30	-40	-30	1:1 / 1:1

MECHANICAL CONSTRUCTION

SCHEMATICS



UNIT : mm / inch
 A = 12.70 ± 0.254 / 0.500 ± 0.010
 B = 12.00 ± 0.254 / 0.472 ± 0.010
 C = 5.80 ± 0.254 / 0.228 ± 0.010
 D = 16.00 ± 0.254 / 0.630 ± 0.010
 E = 1.27 / 0.050 (TYP)
 F = 0.46 ± 0.127 / 0.018 ± 0.005
 G = 0.254 ± 0.127 / 0.010 ± 0.005
 H = 0.254 / 0.010 (TYP)
 I = 1.00 ± 0.254 / 0.039 ± 0.010
 J = 0° ~ 8°
 K = 8.89 / 0.350 (TYP)



DELTA ELECTRONICS, INC.

(TAOYUAN PLANT CPBG) 252, SAN YING ROAD, KUEI SAN INDUSTRIAL ZONE, TAOYUAN SHIEN, TAIWAN, R.O.C.
 TEL: 886-3-3591968; FAX: 886-3-3591991
 Http://www.deltaww.com/products/networking