

# RV4141A

## Low Power Ground Fault Interrupter

### Features

- Powered from the AC line
- Built-in rectifier
- Direct interface to SCR
- 500  $\mu$ A quiescent current
- Precision sense amplifier
- Adjustable time delay
- Minimum external components
- Meets UL 943 requirements
- For use with 110V or 220V systems
- Available in an 8-pin SOIC package

### Description

The RV4141A is a low-power controller for AC receptacle ground fault circuit interrupters. These devices detect hazardous current paths to ground and ground to neutral faults. The circuit interrupter then disconnects the load from the line before a harmful or lethal shock occurs.

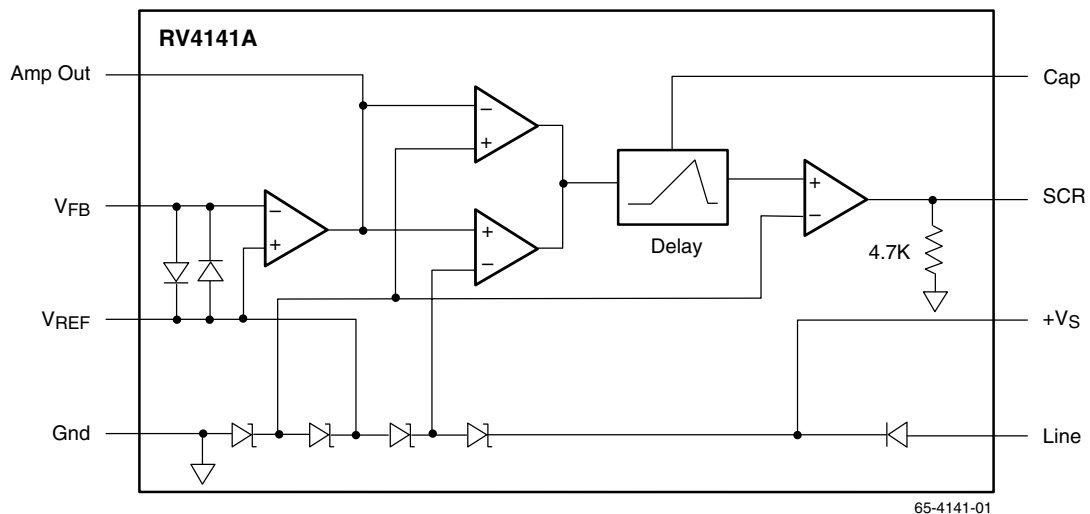
Internally, the RV4141A contains a diode rectifier, shunt regulator, precision sense amplifier, current reference, time delay circuit, and SCR driver.

Two sense transformers, SCR, solenoid, three resistors and four capacitors complete the design of the basic circuit interrupter. The simple layout and minimum component count ensure ease of application and long term reliability.

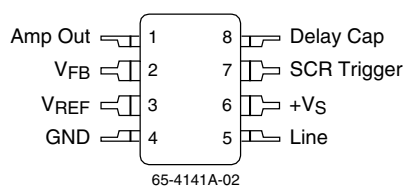
Features not found in other GFCI controllers include a low offset voltage sense amplifier eliminating the need for a coupling capacitor between the sense transformer and sense amplifier, and an internal rectifier to eliminate high voltage rectifying diodes.

The RV4141A is powered only during the positive half period of the line voltage, but can sense current faults independent of its phase relative to the line voltage. The gate of the SCR is driven only during the positive half cycle of the line voltage.

### Block Diagram



## Pin Assignments



## Absolute Maximum Ratings

(beyond which the device may be damaged)<sup>1</sup>

Parameter		Min	Typ	Max	Units
Supply Current				10	mA
Internal Power Dissipation				500	mW
Storage Temperature Range		-65		+150	°C
Operating Temperature Range		-35		+80	°C
Junction Temperature				125	°C
Lead Soldering Temperature	10 Sec, SOIC			260	°C

**Notes:**

- Functional operation under any of these conditions is NOT implied. Performance and reliability are guaranteed only if the Electrical Characteristics are not exceeded.

## Thermal Characteristics

Parameter		Min	Typ	Max	Units
$\theta_{JA}$	Thermal resistance SOIC		240		°C/W

## Electrical Characteristics (I<sub>LINE</sub> = 1.5mA and T<sub>A</sub> = +25°C, R<sub>SET</sub> = 650kΩ)

Parameters	Test Conditions	Min	Typ	Max	Units
<b>Shunt Regulator (Pins 5 to 4)</b>					
Regulated Voltage	I <sub>2-3</sub> = 11μA	25.0	27.0	29.0	V
Regulated Voltage	I <sub>LINE</sub> = 750 μA, I <sub>2-3</sub> = 9μA	25.0	27.0	29.0	V
Quiescent Current	V <sub>5-4</sub> = 24V	—	500	—	μA
<b>Sense Amplifier (Pins 2 to 3)</b>					
Offset Voltage		-200	0	200	μV
Gain Bandwidth	(Design Value)	—	3	—	MHz
Slew Rate	(Design Value)		1.0		V/μS
Input Bias Current	(Design Value)		30	100	nA
<b>SCR Trigger (Pins 7 to 4)</b>					
Output Resistance	V <sub>7-4</sub> = Open, I <sub>2-3</sub> = μA	3.8	4.7	5.6	kΩ
Output Voltage	I <sub>2-3</sub> = 9μA	0	0.1	10	mV
Output Voltage	I <sub>2-3</sub> = 11μA	3.0	3.8	4.5	V
Output Current	V <sub>7-4</sub> = 0V, I <sub>2-3</sub> = 11μA	400	600		μA
<b>Reference Voltage (Pins 3 to 4)</b>					
Reference Voltage	I <sub>LINE</sub> = 750 μA	12.0	13.0	14.0	V
<b>Delay Timer (Pins 8 to 4)</b>					
Discharge/Charge ratio	I <sub>2-3</sub> = 0/11μA	1.8	2.5	3.0	μA/μA
Delay Time (Note 1)	C <sub>8-4</sub> = 12nF	—	2.0	—	ms
Delay Current	I <sub>2-3</sub> = 11μA	30	40	50	μA

**Note:**

1. Delay time is defined as starting when the instantaneous sense current (I<sub>2-3</sub>) exceeds 6.5 V/R<sub>SET</sub> and ending when the SCR trigger voltage V<sub>7-6</sub> goes high.

## Circuit Operation

(Refer to Block Diagram and Figure 1)

The precision op amp connected to Pins 1 through 3 senses the fault current flowing in the secondary of the sense transformer, converting it to a voltage at Pin 1. The ratio of secondary current to output voltage is directly proportional to feedback resistor, RSET.

RSET converts the sense transformer secondary current to a voltage at Pin 1. Due to the virtual ground created at the sense amplifier input by its negative feedback loop, the sense transformer's burden is equal to the value of RIN. From the transformer's point of view, the ideal value for RIN is 0Ω. This will cause it to operate as a true current transformer with minimal error. However, making RIN equal to zero creates a large offset voltage at Pin 1 due to the sense amplifier's very high DC gain. RIN should be selected as high as possible consistent with preserving the transformer's operation as a true current mode transformer. A typical value for RIN is between 200 and 1000Ω.

As seen by the equation below, maximizing RIN minimizes the DC offset error at the sense amplifiers output. The DC offset voltage at Pin 1 contributes directly to the trip current error. The offset voltage at Pin 1 is:

$$VOS \times RSET / (RIN + RSEC)$$

Where:

VOS = Input offset voltage of sense amplifier

RSET = Feedback resistor

RIN = Input resistor

RSEC = Transformer secondary winding resistance

The sense amplifier has a specified maximum offset voltage of 200 μV to minimize trip current errors.

Two comparators connected to the sense amplifier output are configured as a window detector, whose references are -6.5V and +6.5V, referred to Pin 3. When the sense transformer secondary RMS current exceeds  $4.6/RSET$  the output of the window detector starts the delay circuit. If the secondary current exceeds the predetermined trip current for longer than the delay time a current pulse appears at Pin 7, triggering the SCR.

The SCR anode is directly connected to a solenoid or relay coil. The SCR can be tripped only when its anode is more positive than its cathode.

## Supply Current Requirements

The RV4141A is powered directly from the line through a series limiting resistor called RLINE, its value is between 24 kΩ and 91 kΩ. The controller IC has a built-in diode rectifier eliminating the need for external power diodes.

The recommended value for RLINE is 24 kΩ to 47 kΩ for 110V systems and 47 kΩ to 91 kΩ for 220V systems. When RLINE is 47 kΩ the shunt regulator current is limited to 3.6 mA. The recommended maximum peak line current through RLINE is 10 mA.

## GFCI Application (Refer to Figure 1)

The GFCI detects a ground fault by sensing a difference current in the line and neutral wires. The difference current is assumed to be a fault current creating a potentially hazardous path from line to ground. Since the line and neutral wires pass through the center of the sense transformer, only the differential primary current is transferred to the secondary. Assuming the turns ratio is 1:1000 the secondary current is 1/1000th the fault current. The RV4141A's sense amplifier converts the secondary current to a voltage which is compared with either of the two window detector reference voltages. If the fault current exceeds the design value for the duration of the programmed time delay, the RV4141A will send a current pulse to the gate of the SCR.

Detecting ground to neutral faults is more difficult. RB represents a normal ground fault resistance, RN is the wire resistance of the electrical circuit between load/ neutral and earth ground. RG represents the ground to neutral fault condition. According to UL 943, the GFCI must trip when  $RN = 0.4\Omega$ ,  $RG = 1.6\Omega$  and the normal ground fault is 6 mA.

Assuming the ground fault to be 5 mA, 1 mA and 4 mA will go through RG and RN, respectively, causing an effective 1 mA fault current. This current is detected by the sense transformer and amplified by the sense amplifier. The ground/ neutral and sense transformers are now mutually coupled by RG, RN and the neutral wire ground loop, producing a positive feedback loop around the sense amplifier. The newly created feedback loop causes the sense amplifier to oscillate at a frequency determined by ground/neutral transformer secondary inductance and C4. Typically it occurs at 8 KHz.

C2 is used to program the time required for the fault to be present before the SCR is triggered. Refer to the equation below for calculating the value of C2. Its typical value is 12 nF for a 2 ms delay.

RSET is used to set the fault current at which the GFCI trips. When used with a 1:1000 sense transformer, its typical value is 1 MΩ for a GFCI designed to trip at 5 mA.

RIN should be the highest value possible which ensures a predictable secondary current from the sense transformer. If RIN is set too high, normal production variations in the transformer permeability will cause unit to unit variations in the secondary current. If it is too low, a large offset voltage error at Pin 1 will be present. This error voltage in turn creates a trip current error proportional to the input offset voltage of the sense amplifier. As an example, if RIN is 500Ω,

R<sub>SET</sub> is 1 MΩ, R<sub>SEC</sub> is 45Ω and the V<sub>OS</sub> of the sense amplifier is its maximum of 200 μV, the trip current error is ±5.6%.

The SCR anode is directly connected to a solenoid or relay coil. It can be tripped only when its anode is more positive than its cathode. It must have a high dV/dt rating to ensure that line noise (generated by electrically noisy appliances) does not falsely trigger it. Also the SCR must have a gate drive requirement less than 200 μA. C<sub>3</sub> is a noise filter that prevents high frequency line pulses from triggering the SCR.

The relay solenoid used should have a response time of 3 ms or less to meet the UL 943 timing requirement.

**Sense Transformers and Cores**

The sense and ground/neutral transformer cores are usually fabricated using high permeability laminated steel rings. Their single turn primary is created by passing the line and neutral wires through the center of its core. The secondary is usually from 200 to 1500 turns.

Transformers may be obtained from Magnetic Metals, Inc. (www.magmet.com)

**Calculating the Values of R<sub>SET</sub> and C<sub>2</sub>**

Determine the nominal ground fault trip current requirement. This will be typically 5 mA in North America (117V AC) and 22 mA in the UK and Europe (220V AC). Determine the

minimum delay time required to prevent nuisance tripping. This will typically be 1 to 2 ms. The value of C<sub>2</sub> required to provide the desired delay time is:

$$C_2 = 6 \times T$$

where:

C<sub>2</sub> is in nF

T is the desired delay time in ms.

The value of R<sub>SET</sub> to meet the nominal ground fault trip current specification is:

$$R_{SET} = \frac{4.6 \times N}{I_{FAULT} \times \cos 180(T/P)}$$

where:

R<sub>SET</sub> is in kΩ

T is the time delay in ms

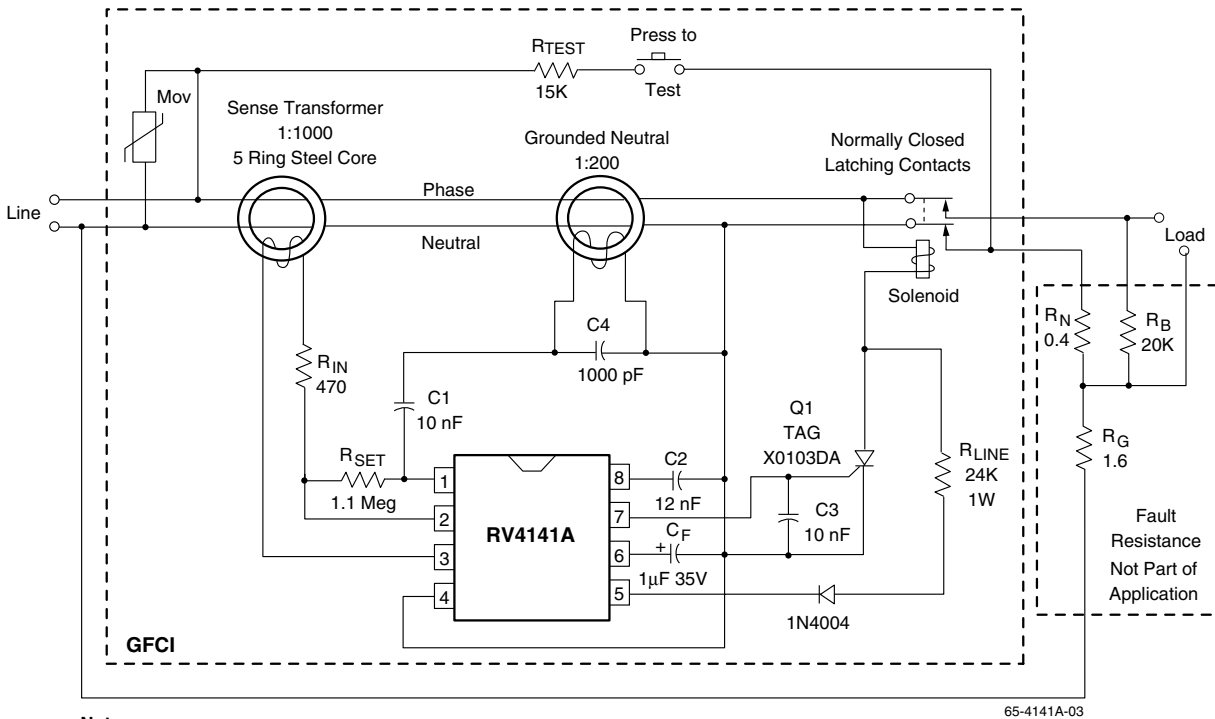
P is the period of the line frequency in ms

I<sub>FAULT</sub> is the desired ground fault trip current in mA RMS

N is the number of sense transformer secondary turns.

This formula assumes an ideal sense transformer is used.

The calculated value of R<sub>SET</sub> may have to be changed up to 30% to when using a non-ideal transformer.



**Note:**  
1. Portions of this schematic are subject to U.S. patents 3,878,435 and Re. 30,678.

**Figure 1. GFI Application Circuit**

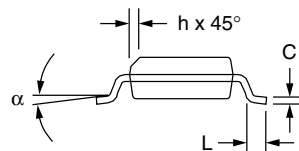
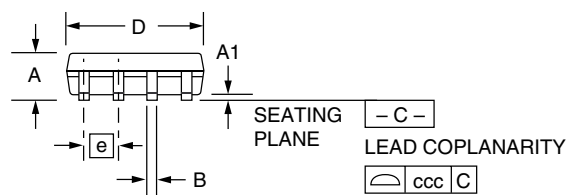
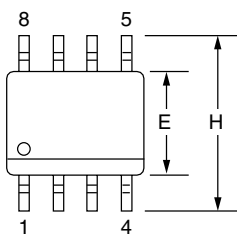
# Mechanical Dimensions

## 8-Lead SOIC Package

Symbol	Inches		Millimeters		Notes
	Min.	Max.	Min.	Max.	
A	.053	.069	1.35	1.75	
A1	.004	.010	0.10	0.25	
B	.013	.020	0.33	0.51	
C	.008	.010	0.20	0.25	5
D	.189	.197	4.80	5.00	2
E	.150	.158	3.81	4.01	2
e	.050 BSC		1.27 BSC		
H	.228	.244	5.79	6.20	
h	.010	.020	0.25	0.50	
L	.016	.050	0.40	1.27	3
N	8		8		6
$\alpha$	0°	8°	0°	8°	
ccc	—	.004	—	0.10	

**Notes:**

1. Dimensioning and tolerancing per ANSI Y14.5M-1982.
2. "D" and "E" do not include mold flash. Mold flash or protrusions shall not exceed .010 inch (0.25mm).
3. "L" is the length of terminal for soldering to a substrate.
4. Terminal numbers are shown for reference only.
5. "C" dimension does not include solder finish thickness.
6. Symbol "N" is the maximum number of terminals.



## Ordering Information

Part Number	Package	Pb-Free	Operating Temperature Range	Packing Method
RV4141AMT	8-lead Plastic SOIC	No	-35°C to +80°C	Tape and Reel

### DISCLAIMER

FAIRCHILD SEMICONDUCTOR RESERVES THE RIGHT TO MAKE CHANGES WITHOUT FURTHER NOTICE TO ANY PRODUCTS HEREIN TO IMPROVE RELIABILITY, FUNCTION OR DESIGN. FAIRCHILD DOES NOT ASSUME ANY LIABILITY ARISING OUT OF THE APPLICATION OR USE OF ANY PRODUCT OR CIRCUIT DESCRIBED HEREIN; NEITHER DOES IT CONVEY ANY LICENSE UNDER ITS PATENT RIGHTS, NOR THE RIGHTS OF OTHERS.

### LIFE SUPPORT POLICY

FAIRCHILD'S PRODUCTS ARE NOT AUTHORIZED FOR USE AS CRITICAL COMPONENTS IN LIFE SUPPORT DEVICES OR SYSTEMS WITHOUT THE EXPRESS WRITTEN APPROVAL OF THE PRESIDENT OF FAIRCHILD SEMICONDUCTOR CORPORATION. As used herein:

1. Life support devices or systems are devices or systems which, (a) are intended for surgical implant into the body, or (b) support or sustain life, and (c) whose failure to perform when properly used in accordance with instructions for use provided in the labeling, can be reasonably expected to result in a significant injury of the user.
2. A critical component in any component of a life support device or system whose failure to perform can be reasonably expected to cause the failure of the life support device or system, or to affect its safety or effectiveness.