

Series Programmable Adaptive Clock Manager (PACMan™)

GENERAL DESCRIPTION

The ML6510 (Super PACMan™) is a Programmable Adaptive Clock Manager which offers an ideal solution for managing high speed synchronous clock distribution in next generation, high speed personal computer and workstation system designs. It provides eight channels of deskew buffers that adaptively compensate for clock skew using only a single trace. The input clock can be either TTL or PECL, selected by a bit in the control register. Frequency multiplication or division is possible using the M&N divider ratio, within the maximum frequency limit. 0.5X, 1X, 2X and 4X clocks can be easily realized.

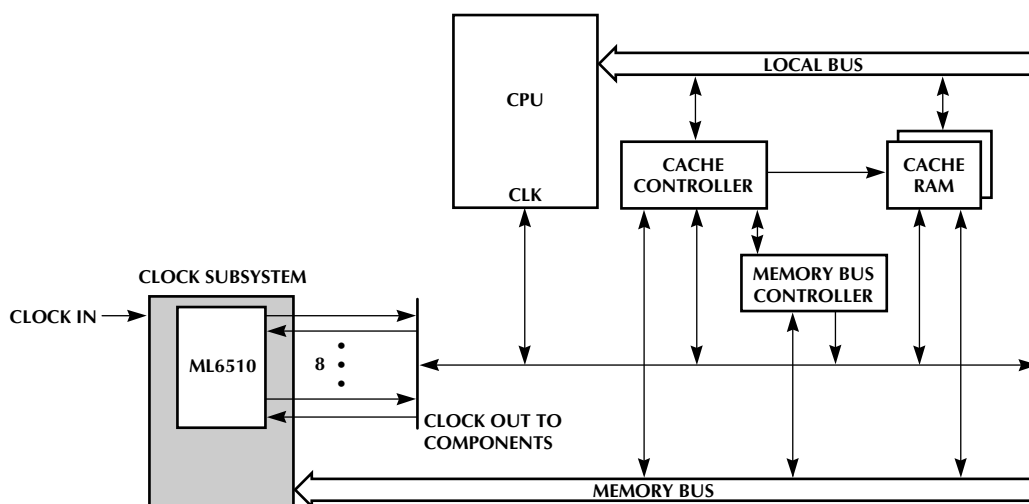
The ML6510 is implemented using a low jitter PLL with on-chip loop filter. The ML6510 deskew buffers adaptively compensate for clock skew on PC boards. An internal skew sense circuit is used to sense the skew caused by the PCB trace and load delays. The sensing is done by detecting a reflection from the load and the skew is corrected adaptively via a unique phase control delay circuit to provide low load-to-load skew, at the end of the PCB traces. Additionally, the ML6510 supports PECL reference clock outputs for use in the generation of clock trees with minimal part-to-part skew. The chip configuration can be programmed to generate the desired output frequency using the internal ROM or an external serial EEPROM or a standard two-wire serial microprocessor interface.

FEATURES

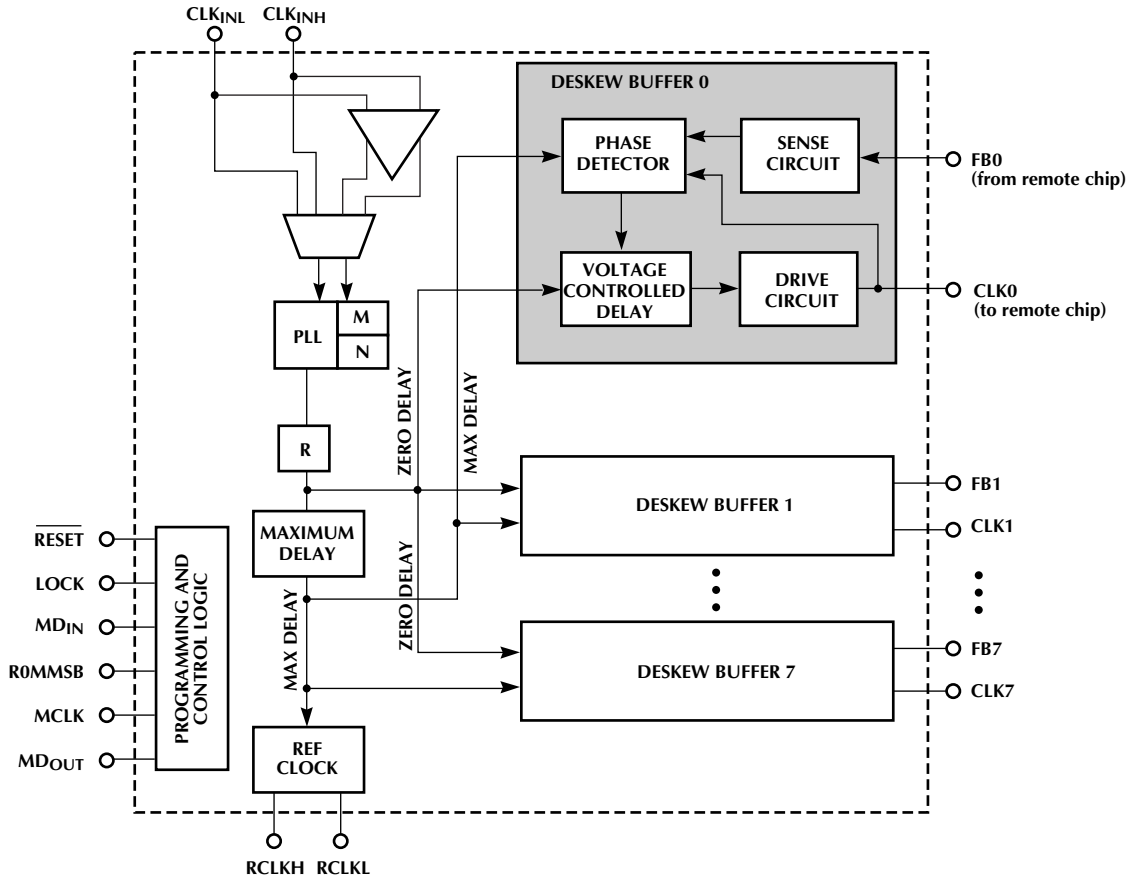
- Input clocks can be either TTL or PECL with low input to output clock phase error
- 8 independent, automatically deskewed clock outputs with up to 5ns of on-board deskew range (10ns round trip)
- Controlled edge rate TTL-compatible CMOS clock outputs capable of driving 40Ω PCB traces
- 10 to 80MHz (6510-80) or 10 to 130MHz (6510-130) input and output clock frequency range
- Less than 500ps skew between inputs **at the device loads**
- Small-swing reference clock outputs for minimizing part-to-part skew
- Frequency multiplication or division is possible using the M&N divider ratio
- Lock output indicates PLL and deskew buffer lock
- Test mode operation allows PLL and deskew buffer bypass for board debug
- Supports industry standard processors like Pentium™, Mips, SPARC™, PowerPC™, Alpha™ etc.

*Some Packages Are Obsolete

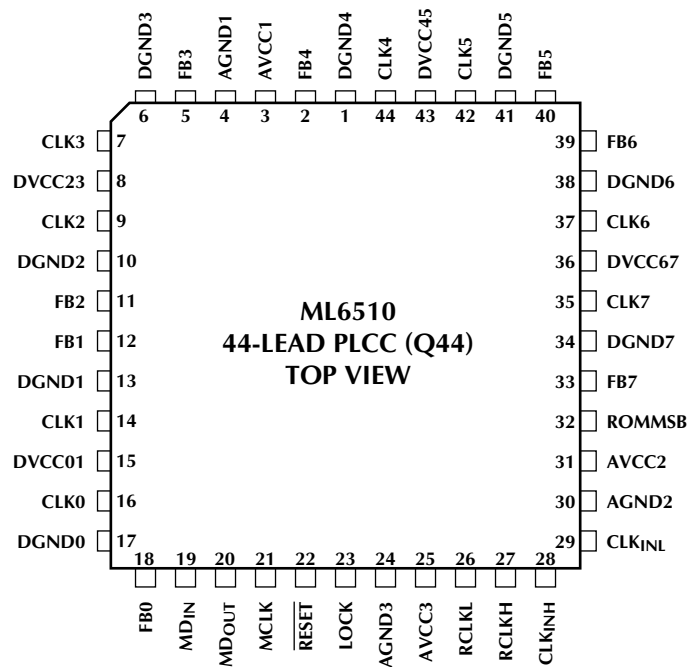
SYSTEM BLOCK DIAGRAM



BLOCK DIAGRAM



PIN CONNECTION



PIN DESCRIPTION

PIN NUMBER	NAME	DESCRIPTION
32	ROMMSB	MSB of the internal ROM address. Tie to GND if not used. See section on Programming the ML6510.
20	MD _{OUT}	Programming pin. See section on Programming the ML6510.
19	MD _{IN}	Programming pin. See section on Programming the ML6510.
21	MCLK	Programming pin. See section on Programming the ML6510.
22	$\overline{\text{RESET}}$	Reset all internal circuits. Asserted polarity is low.
23	LOCK	Indicates when the PLL and deskew buffers have locked. Asserted polarity is high.
28 29	CLK _{INH} CLK _{INL}	Input clock pins. For TTL clock reference use CLK _{INH} pin shorted to the CLK _{INL} pin. For PECL clock reference drive pins differentially. Input clock type is selected by the CS bit in the shift register.
16,14,9,7, 44, 42, 37, 35	CLK[0–7]	Clock outputs
18,12,11,5, 2, 40, 39, 33	FB[0–7]	Clock feedback inputs for the deskew buffers
3,31 25	AVCC[1–3]	Analog circuitry supply pins, separated from noisy digital supply pins to provide isolation. All supplies are nominally +5V.
4, 30, 24	AGND[1–3]	Analog circuitry ground pins
15	DVCC01	Digital supply pin for CLK0 and CLK1 output buffers. Nominally +5V.
8	DVCC23	Digital supply pin for CLK2 and CLK3 output buffers. Nominally +5V.
43	DVCC45	Digital supply pin for CLK4 and CLK5 output buffers. Nominally +5V.
36	DVCC67	Digital supply pin for CLK6 and CLK7 output buffers. Nominally +5V.
17, 13, 10, 6, 1, 41, 38, 34	DGND[0–7]	Digital ground pins for CLK [0–7] output buffers. Each clock output buffer has its own ground pin to avoid crosstalk and ground bounce problems.
26 27	RCLKL RCLKH	Differential reference clock output used to minimize part-to-part skew when building clock trees with other PACMan integrated circuits.

ABSOLUTE MAXIMUM RATINGS

VCC Supply Voltage Range -0.3V to 6V
 Input Voltage Range -0.3V to VCC
 Output Current
 CLK[0-7] 70mA
 All other outputs 10mA

Junction Temperature 150°C
 Storage Temperature -65°C to 150°C
 Thermal Resistance (θ_{JA}) 54°C/W

ELECTRICAL CHARACTERISTICS

The following specifications apply over the recommended operating conditions of DVCC = AVCC = 5V ± 5% and ambient temperature between 0°C and 70°C. Loading conditions are specified individually (Note 1)

SYMBOL	PARAMETER	CONDITIONS	MIN	TYP	MAX	UNIT
--------	-----------	------------	-----	-----	-----	------

SUPPLY

DVCCXX	Supply Current for each pair of clock outputs	$f_{CLKX} = 0$		50		μ A
		$C_L = 20\text{pF}$, $Z_O = 50\Omega$ $f_{OUT} = 80\text{MHz}$		40	60	mA
IAVCC1	Static supply current, AVCC1 pin			100	120	mA
IAVCC2	Static supply current, AVCC2 pin			35	40	mA
IAVCC3	Static supply current, AVCC3 pin			1	2	mA

LOW FREQUENCY INPUTS AND OUTPUTS (ROMMSB, MD_{OUT}, MD_{IN}, MCLK, RESET, LOCK)

V _{IH}	High level input voltage		DVCC - 0.5			V
V _{IL}	Low level input voltage				DGND + 0.5	V
V _{OH}	High level output voltage, MCLK and MDIN	I _{OH} = -100 μ A	DVCC - 0.5			V
V _{OL}	Low level output voltage, MCLK and MDIN	I _{OL} = +200 μ A			DGND + 0.5	V
V _{OH}	High level output voltage, LOCK output	I _{OH} = -100 μ A	2.4			V
		I _{OH} = -10 μ A	DVCC - 0.5			V
V _{OL}	Low level output voltage, LOCK output	I _{OL} = +1 mA			0.4	V
I _{IN}	Static input current				10	μ A
C _{IN}	Input capacitance			5		pF

HIGH FREQUENCY INPUTS AND OUTPUTS (CLK_{INH}, CLK_{INL}, FB[0-7], CLK[0-7])

V _{IH}	High level input voltage	CS = 0 (TTL Input Clock)	2.0			V
		CS = 1 (PECL Input Clock)	AVCC - 1.165		AVCC - 0.88	V
V _{IL}	Low level input voltage	CS = 0 (TTL Input Clock)			0.8	V
		CS = 1 (PECL Input Clock)	AVCC - 1.810		AVCC - 1.475	V
V _{ICM}	Common mode input voltage range for PECL reference clocks	CS = 1 (PECL Input Clock)	2.0		AVCC - 0.4	V
I _{IH}	High level input current	V _{IH} = 2.4V			100	μ A
I _{IL}	Low level input current	V _{IL} = 0.4V	-400			μ A
V _{OH}	High level output voltage	I _{OH} = -60mA	2.4			V
V _{OL}	Low level output voltage	I _{OL} = +60mA			0.4	V

ELECTRICAL CHARACTERISTICS (Continued)

SYMBOL	PARAMETER	CONDITIONS	MIN	TYP	MAX	UNIT
AC CHARACTERISTICS rise time, fall time and duty cycle are measured for a generic load; (see Load Conditions section).						
t_R	Rise time, LOAD [0-7] output	0.8 → 2.0V, 80MHz	150		1500	ps
t_F	Fall time, LOAD [0-7] output	2.0 → 0.8V, 80MHz	150		1500	ps
f_{IN}	Input frequency, CLK _{IN} pin		10		80	MHz
f_{OUT}	Output frequency, CLK [0-7] output	ML6510-80	10		80	MHz
		ML6510-130 (Note 2)	10		130	MHz
f_{VCO}	PLL VCO operating frequency		80		160	MHz
DC	Output duty cycle	Measured at device load, at 1.5V	40		60	%
t_{JITTER}	Output jitter	Cycle-to-cycle		75		ps
		Peak-to-peak		150		ps
t_{LOCK}	PLL and deskew lock time	After programming is complete		11		ms

SKEW CHARACTERISTICS All skew measurements are made at the load, at 1.5V threshold each output load can vary independently within the specified range for a generic load (see Load Conditions section).

t_{SKEWR}	Output to output rising edge skew, all clocks				500	ps
t_{SKEWF}	Output to output falling edge skew	Output clock frequency ≥ 50MHz			1.5	ns
t_{SKEWIO}	CLK _{IN} input to any LOAD [0-7] output rising edge skew	N = M = 0		600		ps
		N ≥ 2, M ≥ 2		1.25		ns
t_{RANGE}	Round trip delay CLKX to FBX pin; output CLK period = t_{CLK}	Output frequency < 50MHz	0		10	ns
		Output frequency ≥ 50MHz	0		$t_{CLK}/2$	
t_{SKEWB}	Output-to-output rising edge skew, between matched loads	Providing first (see LOAD conditions) order matching order matching between outputs		250		ps

PART-TO-PART SKEW CHARACTERISTICS Skew measured at the loads, at 1.5V threshold. Reference clock output pins drive clock input pins of another ML6510.

t_{PP1}	Total load-to-load skew between multiple chips interfaced with reference clock pins.	Slave chip CS = 1, CM = 1 and N = 0, M = 0; RCLK outputs to CLK _{IN} inputs distance less than 2"			1	ns
t_{PP2}	Total load-to-load skew between multiple chips interfaced with reference clock pins.	Slave chip CS = 1, CM = 1 and N ≥ 2, M ≥ 2; RCLK outputs to CLK _{IN} inputs distance less than 2"			1	ns

PROGRAMMING TIMING CHARACTERISTICS

$\overline{t_{RESET}}$	RESET assertion pulse width		50			ns
t_{A1}	AUX mode MCLK high time		2000			ns
t_{A2}	AUX mode MCLK low time		2000			ns
t_{A3}	AUX mode MD _{OUT} data hold time		10			ns
t_{A4}	AUX mode MD _{OUT} data setup time		10			ns
t_{A5}	AUX mode MCLK period		5000			ns

ML6510

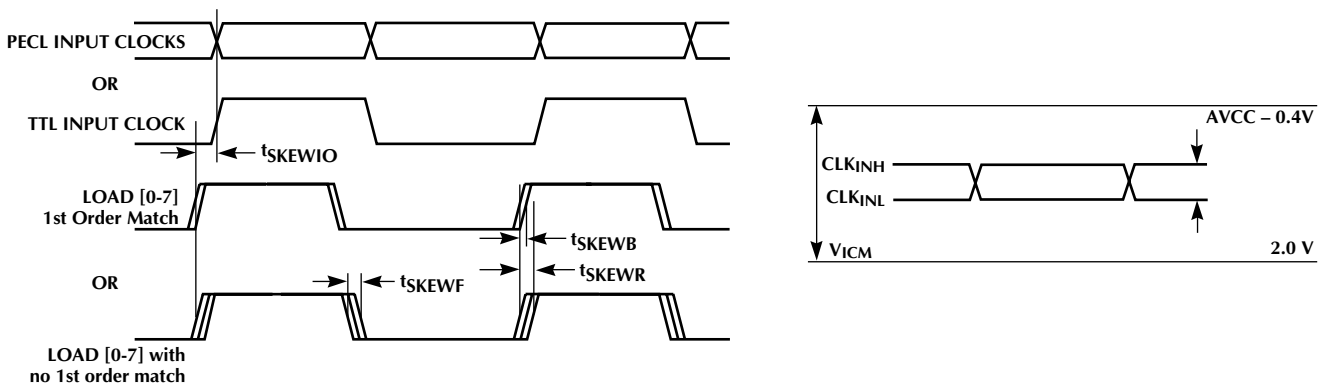
ELECTRICAL CHARACTERISTICS (Continued)

SYMBOL	PARAMETER	CONDITIONS	MIN	TYP	MAX	UNIT
PROGRAMMING TIMING CHARACTERISTICS (continued)						
t_{M1}	MAIN mode MCLK high time		900			ns
t_{M2}	MAIN mode MCLK low time		900			ns
t_{M3}	MAIN mode MCLK period		1800			ns
t_{M4}	MAIN mode MCLK to MD _{OUT} valid (EEPROM read time)				900	ns

Note 1: Limits are guaranteed by 100% testing, sampling or correlation with worst case test conditions.

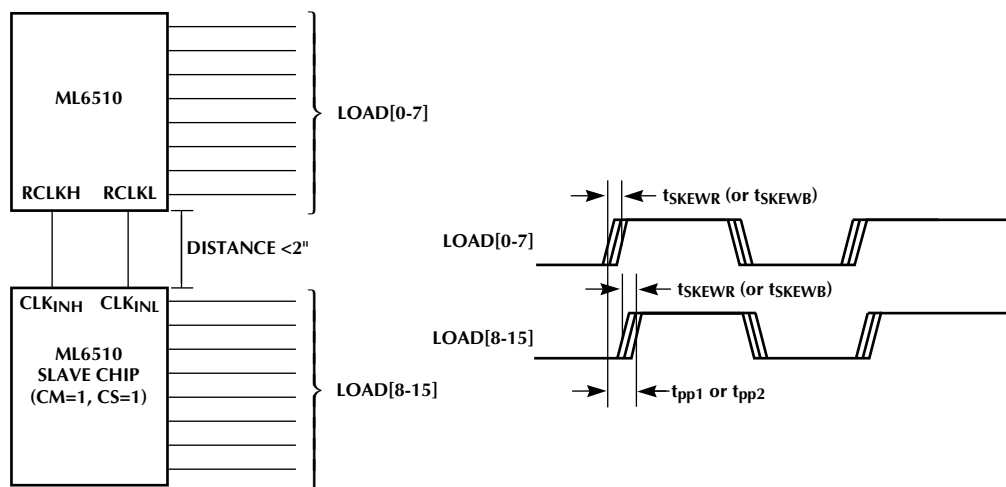
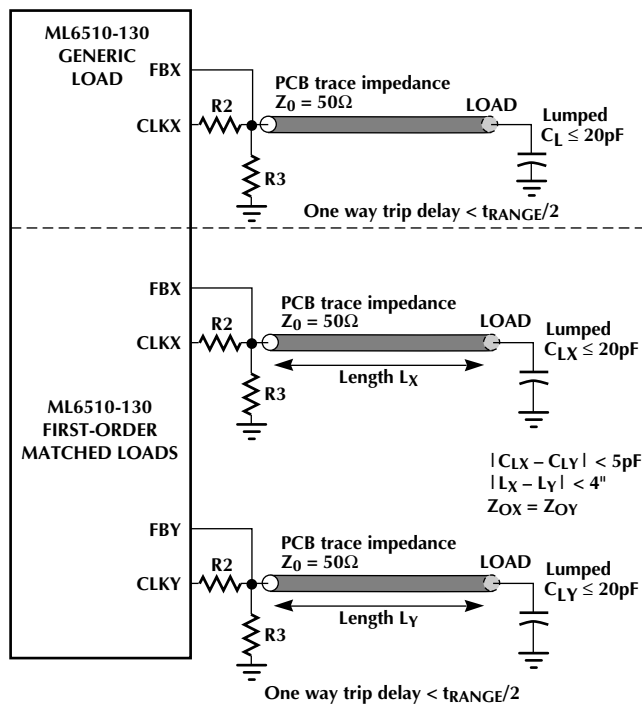
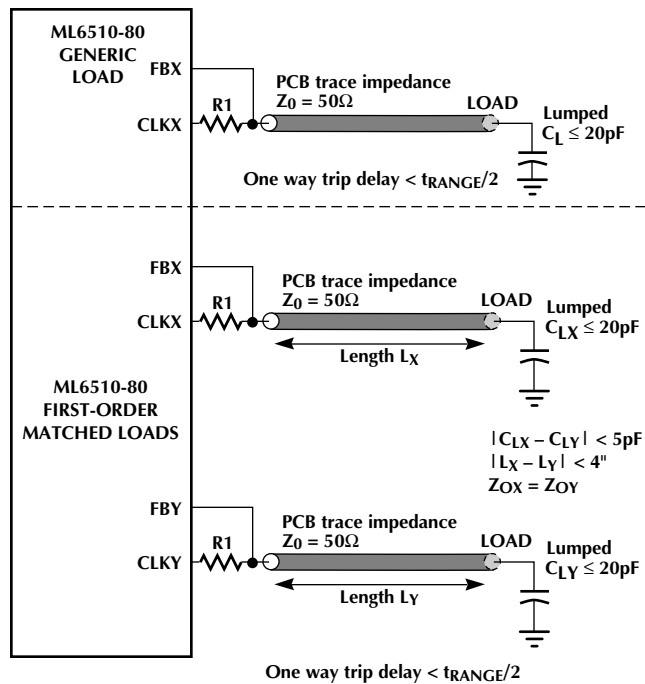
Note 2: If ML6510-130 is used in a master-slave mode, the maximum operating frequency is 120MHz.

ML6510 configured with bit CM = 0:



Note: All skew is measured at the device load input pin, NOT at the ML6510 clock output pin. Skew is always a positive number, regardless of which edge is leading and which is trailing.

AC/SKEW CHARACTERISTICS LOAD CONDITIONS



FUNCTIONAL DESCRIPTION

Micro Linear's ML6510 is the first clock chip to use a feedback mechanism to adaptively (on a real time basis), eliminate clock skew in high speed personal computer and workstation system designs. Figure 1 shows a basic configuration of the ML6510 in a system. The skew problem results due to the delaying of clock signals in the system, as shown in Figure 2. Clock skew results from variation in factors like trace length, PCB trace characteristics, load capacitance, parasitic capacitance, temperature and supply variations, etc. Figure 2 shows a representation of the clock skew problem from a timing perspective. It shows a worst case example where the clock signal is delayed so much that its rising edge completely misses the data it is intended to strobe. Using a clock deskew mechanism, this problem can be eliminated and the strobe with the appropriate setup and hold times with respect to the data bus can be generated.

The ML6510 has eight deskew buffers, each with its own independent the reflection and error correction circuit. The deskew buffer eliminates skew by using the reflection from a remote chip to measure the clock error and then corrects it by generating the appropriate skew to the clock output to compensate.

Eight individually deskewed copies of the clock are provided by the ML6510.

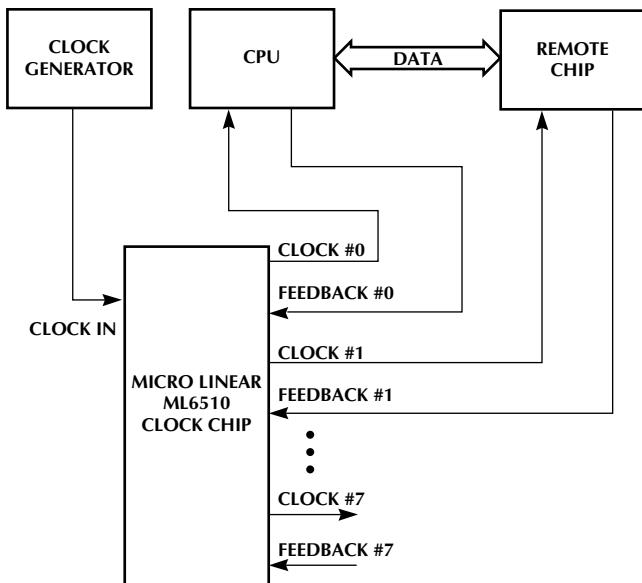


Figure 1. Basic System Configuration Using the ML6510.

The deskew buffers compensate internally for board-level skew caused by the PCB trace length variations and device load variations. This is accomplished by sensing the round trip delay via a reflected signal, and then delaying or advancing the clock edge so that all 8 output clocks arrive at their loads in phase. Each of the eight clock lines can have any length PCB trace (up to 5ns each way or 1/4th of the output clock period, whichever is smaller) and the device loads can vary from line to line. The ML6510 will automatically compensate for these variations, keeping the device load clocks in phase. Although ML6510 will compensate for skew caused by loading, excessive capacitive loading can cause rise/fall time degradation at the load. Cascading one ML6510 to another ML6510 should be done using the PECL reference clock outputs, to minimize part-to-part skew.

CLOCK REGENERATION

The programmable adaptive clock deskew can function in a clock regeneration mode to assist in building clock trees or to expand the number of deskewed clock lines. In this mode, it has the ability to do clock multiplication or division as well, while maintaining low skew between

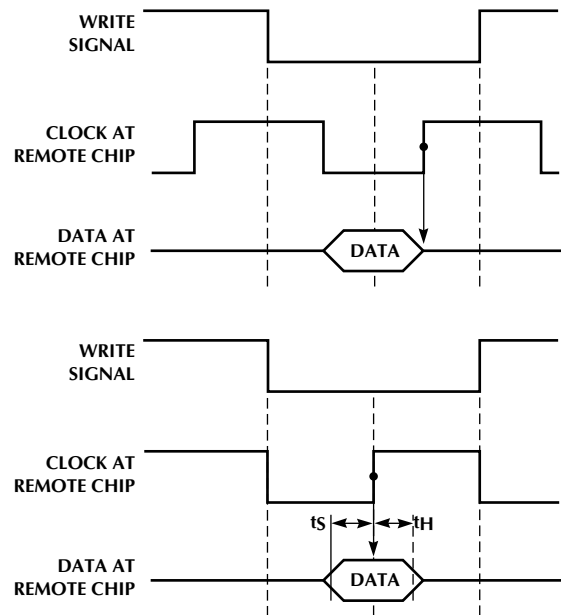


Figure 2. The Skew Problem.

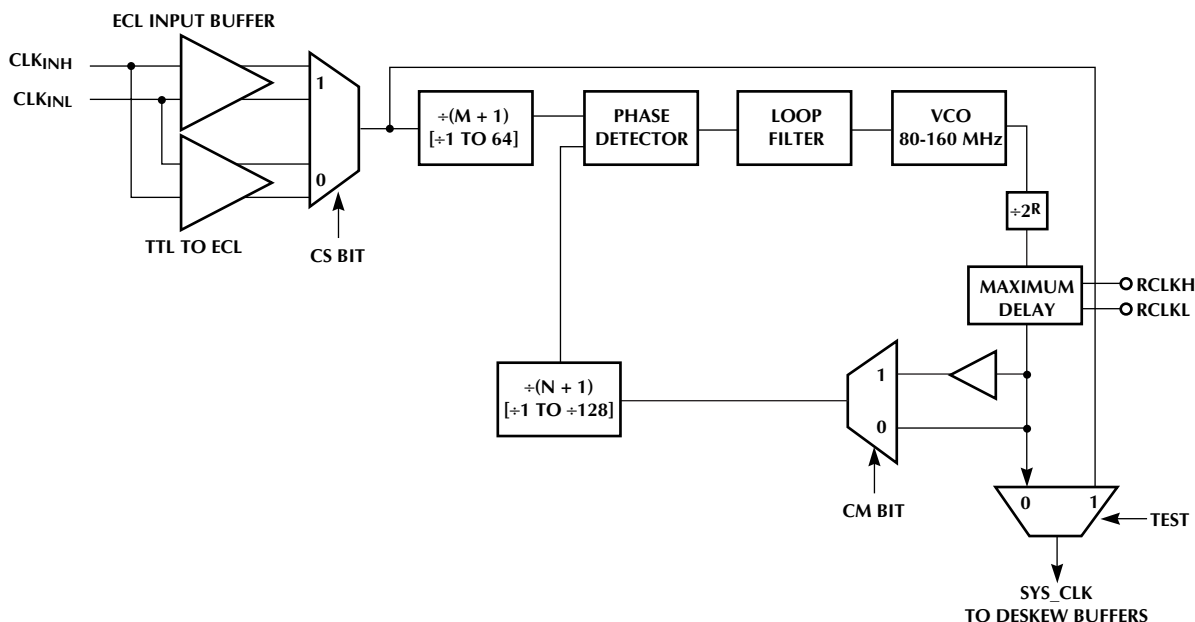


Figure 3. ML6510 Clock Generation Block Diagram.

input clock and output clocks. It can thus generate a 2x or 4x or 0.5x frequency multiplication or division from input to output (e.g. 33 MHz input, 66 MHz output or 66 MHz input, 33 MHz output, etc.). It also can generate a 1x frequency output. The VCO frequency is defined by:

$$f_{VCO} = f_{REF} \times \left[\frac{(N+1) \times 2^R}{(M+1)} \right]$$

and the output frequency is still given by:

$$f_{OUT} = f_{VCO}/2^R$$

R1	R0	INPUT/OUTPUT RANGE
0	0	80-130 MHz
0	1	40-80 MHz
1	0	20-40 MHz
1	1	10-20 MHz

Note: R implies R1, R0; for -80 version, Not valid: Defaults to R = 01

The VCO still must remain in the range 80–160 MHz, and the minimum phase detector input frequency is 625kHz = (80 MHz/128). Thus the product of (N + 1) and 2^R should be limited to 128:

$$(N + 1) \times 2^R \leq 128 \quad \text{to make sure that the phase detector inputs remain above the minimum frequency.}$$

Example: Generating a 2x clock input frequency = 33 MHz

Set R = 01 (output range 40 – 80 MHz), N = 5 (0000101), M = 2 (000010), M/S = 0

$$f_{VCO} = f_{REF} \times \left[\frac{(N+1) \times 2^R}{(M+1)} \right] = 33\text{MHz} \times \left[\frac{6 \times 2^1}{3} \right] = 132\text{MHz}$$

$$f_{OUT} = f_{VCO}/2^R = 132 \text{ MHz}/2^1 = 66 \text{ MHz}$$

Example: Generating a 1x clock Input frequency = 66 MHz

Set R = 01 (output range 40–80 MHz), set M = 0 (000000), N = 0 (0000000), M/S = 0

$$f_{VCO} = 66\text{MHz} \times \left[\frac{1 \times 2^1}{1} \right] = 132\text{MHz}$$

$$f_{OUT} = f_{VCO}/2^R = 132 \text{ MHz}/2^1 = 66 \text{ MHz}$$

For doing frequency multiplication and division, keep $M \geq 2$ and $N \geq 2$ for the lowest skew between input clock and output clock. Several configurations for doing frequency multiplication and division are included in the 8 configurations stored in the on-chip ROM (see PROGRAMMING the ML6510).

ADAPTIVE DESKEW BUFFERS

Each copy of the clock is driven by an adaptive deskew buffer. The deskew buffer compensates for skew time automatically in accordance to the flight time delay it senses from the reflection on the transmission line.

Figure 4 shows the simplified functional block diagram of the deskew circuit. The phase of the sense signal and the driver signal is presented to a three-input phase comparator and compared with the reference signal. The phase comparator then controls the voltage controlled delay in the output drive line to match the delay of the fixed reference delay line. Therefore, the sum of the delay of the driver circuit, PCB trace delay, rise time delay at the load and the adjustable delay will always equal the fixed maximum delay.

The sense circuit has an internal level detect such that any skew caused by loading is also accounted for. Since the delay of the circuit is matched for the entire loop, the phase of all the drivers are in close alignment at the inputs of the load.

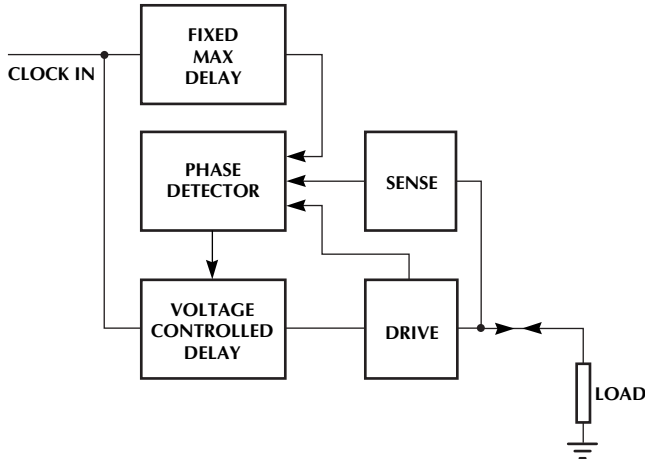


Figure 4. Deskew Circuit Block Diagram.

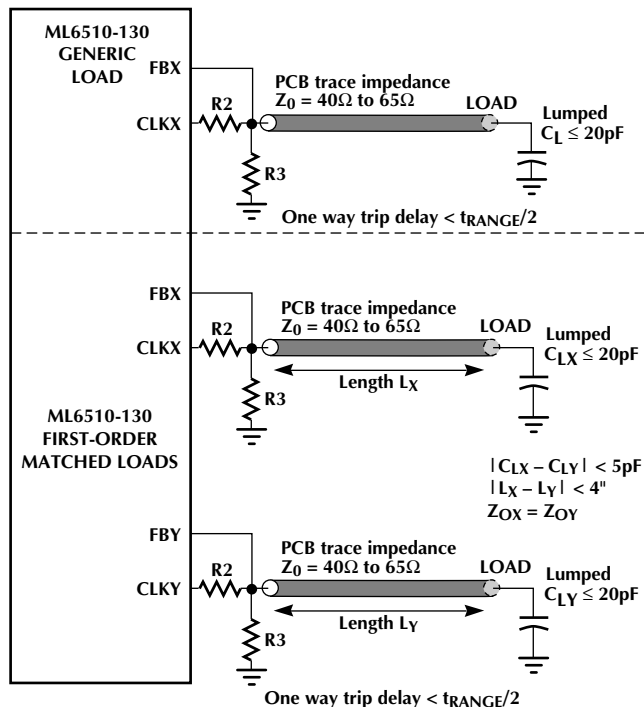
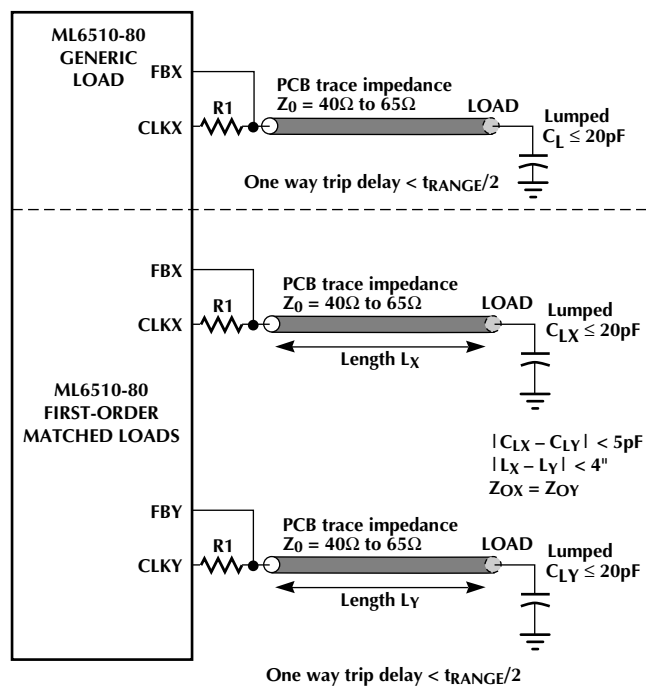
LOAD CONDITIONS

The ML6510 has been designed to drive the wide range of load conditions that are encountered in a high frequency system. The eight output clock loads can each vary within a range of trace length and lumped capacitive load, and the ML6510 will maintain the low skew characteristics specified in Electrical Characteristics. The clock skew can be further minimized by providing some first-order matching between any two loads that require particularly well-matched clocks.

The ML6510-80 produces a 5V swing at the load and requires a single external termination resistor for each output. The ML6510-130 produces a 3V swing at the load and requires two external termination resistors for each output. The FB input pin is connected to the other side of the termination resistor R1 or R2, with a short connection. Termination resistor values should be chosen as follows:

$$R1 = Z_0 \quad R2 = 1.5 \times Z_0 \quad R3 = 3 \times Z_0$$

TRACE IMPEDANCE	RESISTOR VALUES		
	Z ₀	R1	R2
40Ω	40	60	120
50Ω	50	75	150
63Ω	63	95	189

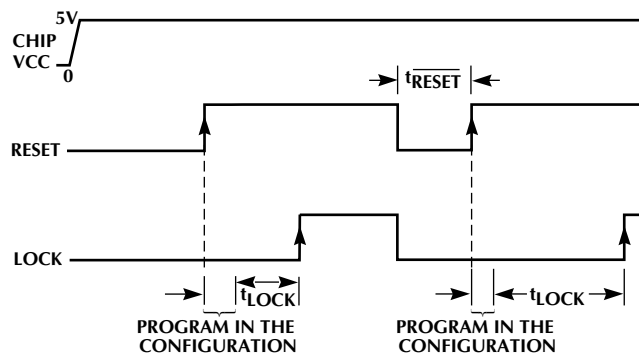


EXTERNAL INPUT CLOCKS

The external input clock to the ML6510 can be either a differential Pseudo-ECL clock or a single-ended TTL clock. This is selected using the CS bit in the serial shift register. For the single-ended TTL clock tie the CLK_{INH} and CLK_{INL} pins together. The ML6510 ensures that there is a well-defined phase difference between the input and output clocks.

RESET AND LOCK

When $\overline{\text{RESET}}$ is de-asserted, the internal programming logic will become active, loading in the configuration bits (see Programming the ML6510). Once the configuration is loaded, the PLL will lock onto the reference signal, and then the deskew blocks will adapt to the load conditions. When all eight output clocks are stable and deskewed, LOCK will be asserted. The asserted polarity of lock is high. Thus, LOCK can be used to indicate that the system is ready, or it can be used to drive the $\overline{\text{RESET}}$ input of another PACMan in a clock tree.



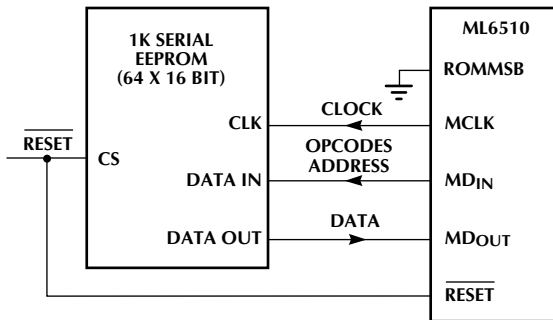
$\overline{\text{RESET}}$ may be reasserted at any time to reset the chip operations. Following a $\overline{\text{RESET}}$ assertion of valid pulse width (see Programming Electrical Characteristics), the ML6510 must again be loaded with a configuration, then it will re-lock and reassert lock when all eight clock outputs are stable and deskewed.

PROGRAMMING THE ML6510

The configuration of the ML6510 is programmed by loading 18 (ML6510-80) or 19 (ML6510-130) bits into the configuration shift register. To load these bits, the user has 3 options: MAIN, AUX or ROM modes. Which mode is used is determined by the logic level on the MD_{IN} pin when RESET is deasserted. If MD_{IN} is tied high, the ML6510 will assume AUX mode; if its tied low, ROM mode. If MD_{IN} is high-impedance (i.e. tied to the input of an EEPROM), it will assume MAIN mode.

1. MAIN Mode

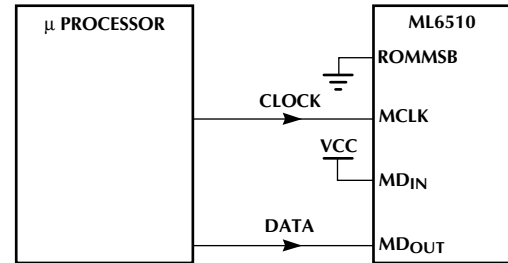
In this mode, the ML6510 will read the configuration bits from an external serial EEPROM, such as the 93C46, using the industry standard 3-wire serial I/O protocol. The serial EEPROM should be a 1K organized in 64 x 16 bits and the PACMan will read the configuration bits out of the two least significant 16-bit words. To use this mode, simply connect the EEPROM serial data input pin to MD_{IN} (ML6510 pin 19), the EEPROM serial data output pin to MD_{OUT} (ML6510 pin 20), and the EEPROM serial data clock pin to MCLK (ML6510 pin 21) and CS pin for the EEPROM should be tied to the RESET signal. After power up, when RESET is deasserted, the ML6510 will automatically generate the address and clock to read out the configuration bits. Refer MAIN Mode waveform in Figure 5.



MAIN Mode Configuration.

2. AUX Mode

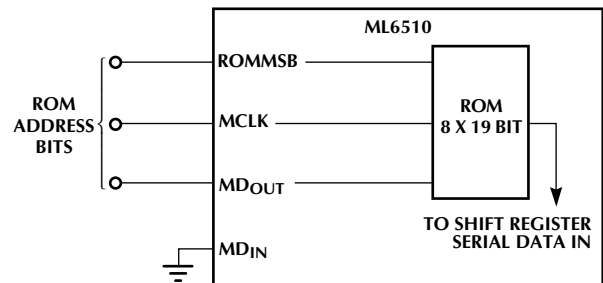
When MD_{IN} is tied to VCC, programming the ML6510 will occur via the AUX Mode. This mode shifts the configuration bits into the shift register directly from the MD_{OUT} pin. The first 18 (ML6510-80) or 19 (ML6510-130) clock rising edges provided externally on the MCLK pin after RESET is deasserted will be used to load the shift register data, which should be provided on the MD_{OUT} pin. See figure 6.



AUX Mode Configuration.

3. ROM Mode

When MD_{IN} is tied to GND, programming the ML6510 will occur via the ROM Mode. This mode reads the configuration bits directly from an on chip ROM. The selection of one of the eight preset configuration codes is accomplished by means of the pins ROMMSB, MCLK and MD_{OUT} as shown in Tables 1 and 2. The TEST mode configuration (code 7) is enabled when the TEST bit is set. In this mode the PLL is bypassed for low frequency testing. Codes 0-2 are used when the ML6510 clock inputs are driven from another PACMan's reference clock outputs. Code 3 is used when zero phase error is desired between input and load clocks.



ROM Mode Configuration.

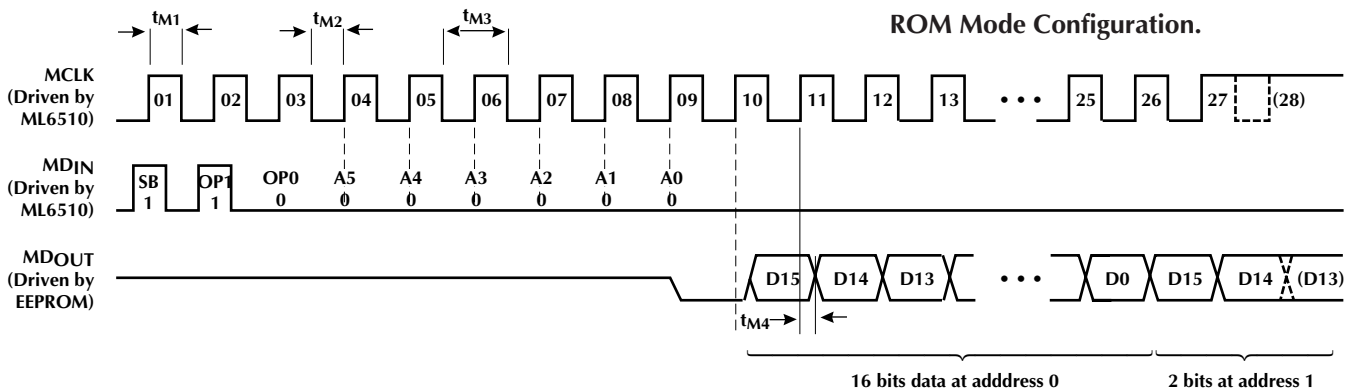


Figure 5. MAIN Mode Waveforms.

(3 bits for ML6510-130)

TABLE 1: ML6510-80 ROM CODES

CODE	DESCRIPTION	SELECTION BITS			INPUT FREQ (MHz)	OUTPUT FREQ (MHz)	CONFIGURATION CODE					
		ROMMSB	MCLK	MD _{OUT}			CS	CM	R1, R0	M	N	TEST
0	PECL Input Clock, 1x mode	0	0	0	40-80	40-80	1	1	01	0	0	0
1	PECL Input Clock, 0.5x mode	0	0	1	40-80	20-40	1	1	10	5	2	0
2	PECL Input Clock, 2x mode	0	1	0	20-40	40-80	1	1	01	2	5	0
3	PECL Input Clock, 1x mode	0	1	1	40-80	40-80	1	0	01	0	0	0
4	TTL Input Clock, 1x mode	1	0	0	40-80	40-80	0	0	01	0	0	0
5	TTL Input Clock, 0.5x mode	1	0	1	40-80	20-40	0	0	10	5	2	0
6	TTL Input Clock, 2x mode	1	1	0	20-40	40-80	0	0	01	2	5	0
7	TEST mode, TTL Input clock	1	1	1	0-50	0-50	0	—	—	—	—	1

TABLE 2: ML6510-130 ROM CODES

CODE	DESCRIPTION	SELECTION BITS			INPUT FREQ (MHz)	OUTPUT FREQ (MHz)	CONFIGURATION CODE						
		ROMMSB	MCLK	MD _{OUT}			CS	CM	R1, R0	M	N	DDSK	TEST
0	PECL Input Clock, 1x mode	0	0	0	80-130	80-130	1	1	00	0	0	0	0
1	PECL Input Clock, 0.5x mode	0	0	1	80-160	40-80	1	1	01	5	2	0	0
2	PECL Input Clock, 2x mode	0	1	0	40-65	80-130	1	1	00	2	5	0	0
3	PECL Input Clock, 1x mode	0	1	1	80-130	80-130	1	0	00	0	0	0	0
4	TTL Input Clock, 1x mode	1	0	0	80-130	80-130	0	0	00	0	0	0	0
5	TTL Input Clock, 0.5x mode	1	0	1	80-130	40-65	0	0	01	5	2	0	0
6	TTL Input Clock, 2x mode	1	1	0	40-65	80-130	0	0	00	2	5	0	0
7	TEST mode, TTL Input clock	1	1	1	0-50	0-50	0	—	—	—	—	—	1

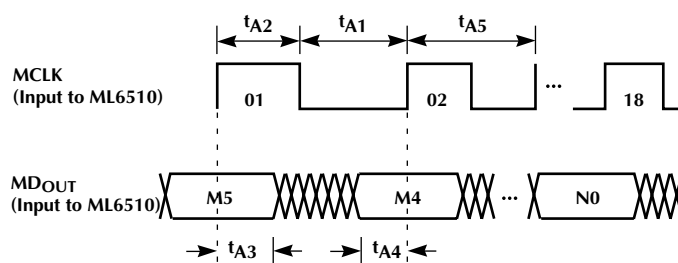
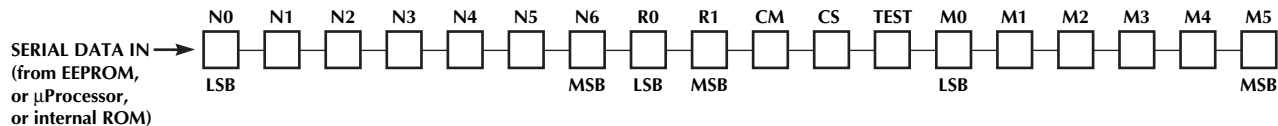


Figure 6. AUX Mode Waveform.

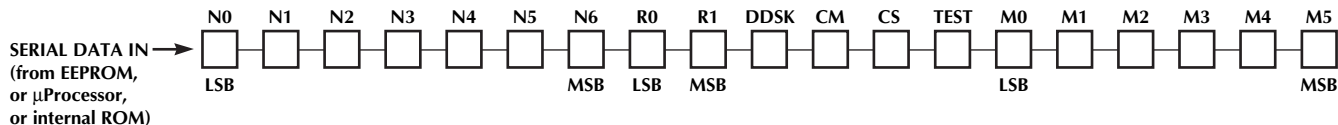
REGISTER DEFINITIONS

REGISTER	SIZE	FUNCTION
N	7 bit	This register is used to define the ratio for the desired frequency of the primary clock.
R	2 bit	This register defines the frequency of the primary clocks, CLK [0-7].
CM	1 bit	Set CM = 1 when the PECL input reference clock is from another 6510 reference clock output. Set CM = 0 if the clock reference is TTL or PECL from an external source and minimum phase error between input and output is desired.
CS	1 bit	CS = 0 selects TTL input clock, CS = 1 selects PECL input clock.
TEST	1 bit	When set to 1, the PLL is bypassed for low frequency testing.
M	6 bit	This register is used to define the ratio for the desired frequency of the primary clock.
DDSK	1 bit	When DDSK is set to 1, deskew is disabled. The chip will provide low skew clocks at the chip output pins, but trace length variations will not be compensated. When DDSK is set to 0, normal deskew will provide low skew clocks at the loads. This bit is only for ML6510-130.

ML6510-80 SHIFT REGISTER CHAIN



ML6510-130 SHIFT REGISTER CHAIN

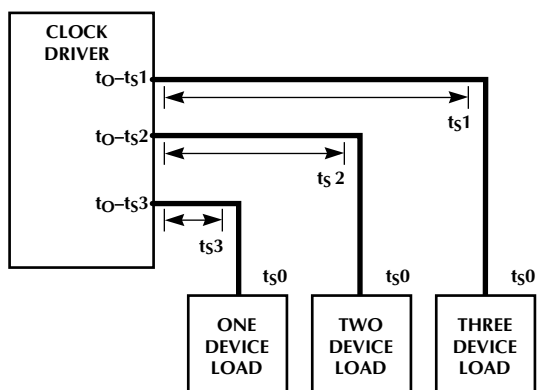


APPLICATIONS

ZERO SKEW CLOCK GENERATION

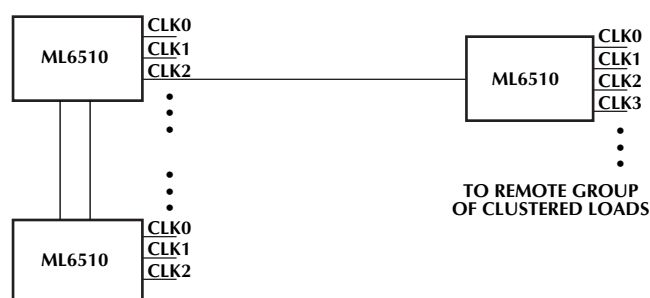
The most advantageous feature of using PACMan is its ability to deliver multiple copies of the clock to the load with very low skew. Because of its unique ability in deskewing, trace length and load consideration are no longer critical in board design.

Because of the unique deskewing scheme, neither the trace length nor the device loads need to be equal. This is true for loads, <20pF. Higher loads can be driven if they are placed close to the clock chip, to guarantee signal integrity.



LOW SKEW CLOCK DISTRIBUTION

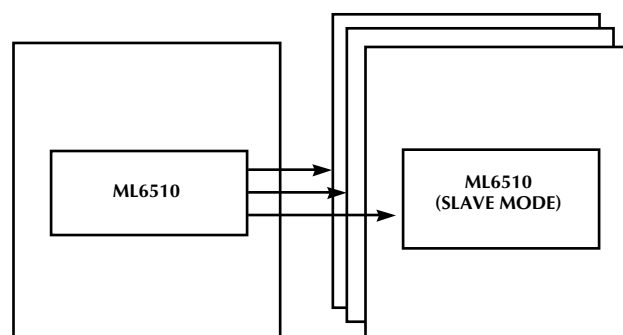
Clock distribution design is usually not a trivial task, especially when multiple clock chips are needed. By using closely grouped PACMans, 16 or more clock lines can be created with low part-to-part skew. Additional groups of clocks can be clustered and driven from deskewed clock lines, to minimize the number of long-distance clock lines.



BOARD TO BOARD SYNCHRONIZATION

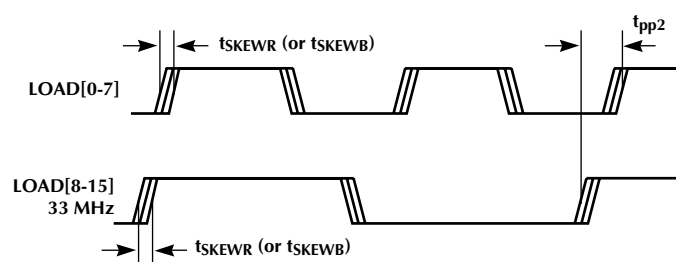
Distribution of the synchronous clock could present significant difficulty at high frequency. With the system clock generated by the ML6510, a zero skew clock delivery to a backplane is now possible. By using the ML6510 slave chip or the ML6510 in slave mode at the receiver end, a near zero delay clock link can be accomplished between the mother board and the satellite boards.

Because the PACMan has frequency doubling capability, a lower frequency signal can be used to route across a back plane.



EXAMPLE CONFIGURATION

Shown in Figure 7 is an example configuration using two ML6510-80 chips in tandem to generate eight 66 MHz clocks and eight 33MHz low-skew clocks from a 66MHz input reference. This requires only the termination resistors. Configurations are loaded from the internal ROM. PCB traces 0 to 15 are each 50Ω impedance and the load capacitances C_{L0} - C_{L15} are 0 to 20pF each. No trace length matching is required among separate clock outputs. All traces are shown with a series termination at the output. If ML6510-130's are used in a master slave mode the maximum operating frequency will be 120MHz.



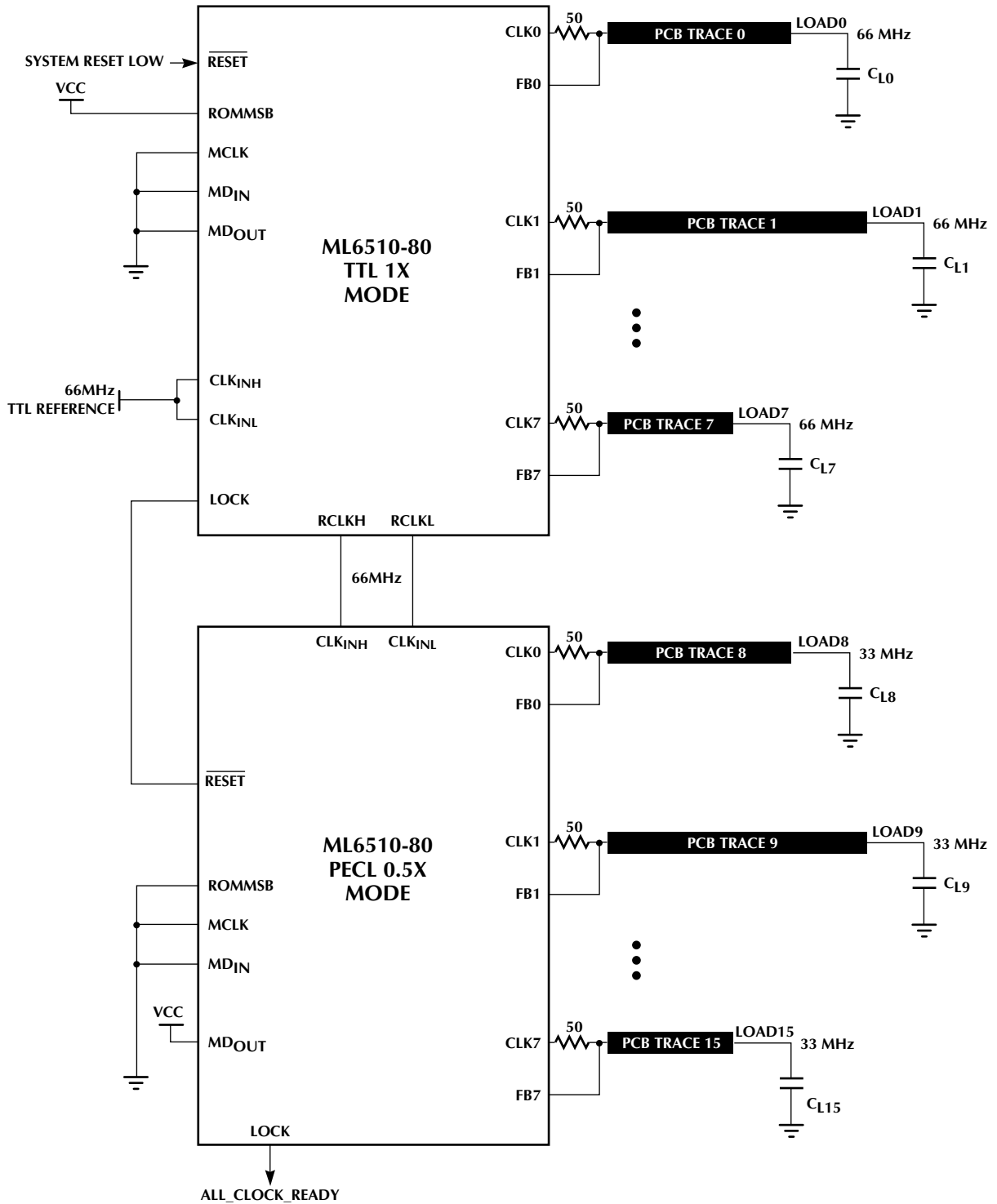
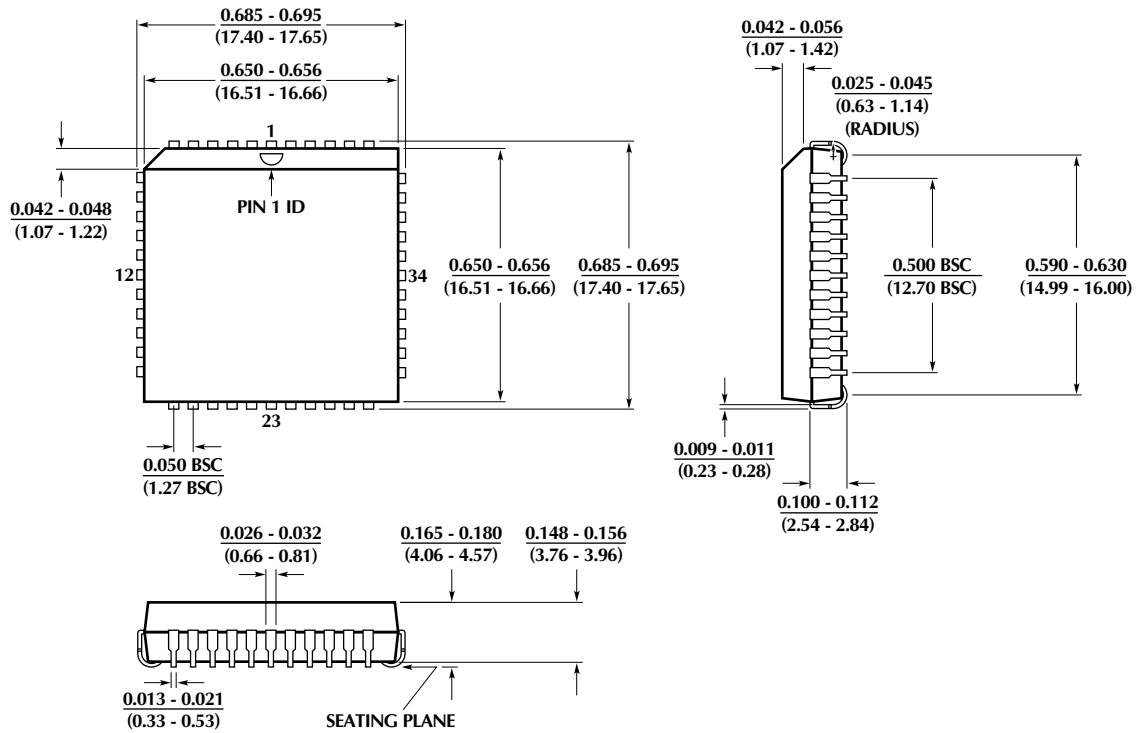


Figure 7. Example use of two ML6510-80 to generate multiple frequency clocks. First ML6510-80 generates eight 66MHz clocks while second ML6510-80 takes 66MHz small-swing reference from the first chip and generates eight 33MHz clocks.

PHYSICAL DIMENSIONS inches (millimeters)

Package: Q44
44-Pin PLCC



ORDERING INFORMATION

PART NUMBER	TEMPERATURE RANGE	PACKAGE
ML6510CQ-80	0°C to 70°C	44-pin PLCC (Q44)
ML6510CQ-130	0°C to 70°C	44-pin PLCC (Q44) (Obsolete)

© Micro Linear 1997.  **Micro Linear** is a registered trademark of Micro Linear Corporation

Products described in this document may be covered by one or more of the following patents, U.S.: 4,897,611; 4,964,026; 5,027,116; 5,281,862; 5,283,483; 5,418,502; 5,508,570; 5,510,727; 5,523,940; 5,546,017; 5,559,470; 5,565,761; 5,592,128; 5,594,376; Japan: 2598946. Other patents are pending.

Micro Linear reserves the right to make changes to any product herein to improve reliability, function or design. Micro Linear does not assume any liability arising out of the application or use of any product described herein, neither does it convey any license under its patent right nor the rights of others. The circuits contained in this data sheet are offered as possible applications only. Micro Linear makes no warranties or representations as to whether the illustrated circuits infringe any intellectual property rights of others, and will accept no responsibility or liability for use of any application herein. The customer is urged to consult with appropriate legal counsel before deciding on a particular application.

2092 Concourse Drive
San Jose, CA 95131
Tel: 408/433-5200
Fax: 408/432-0295