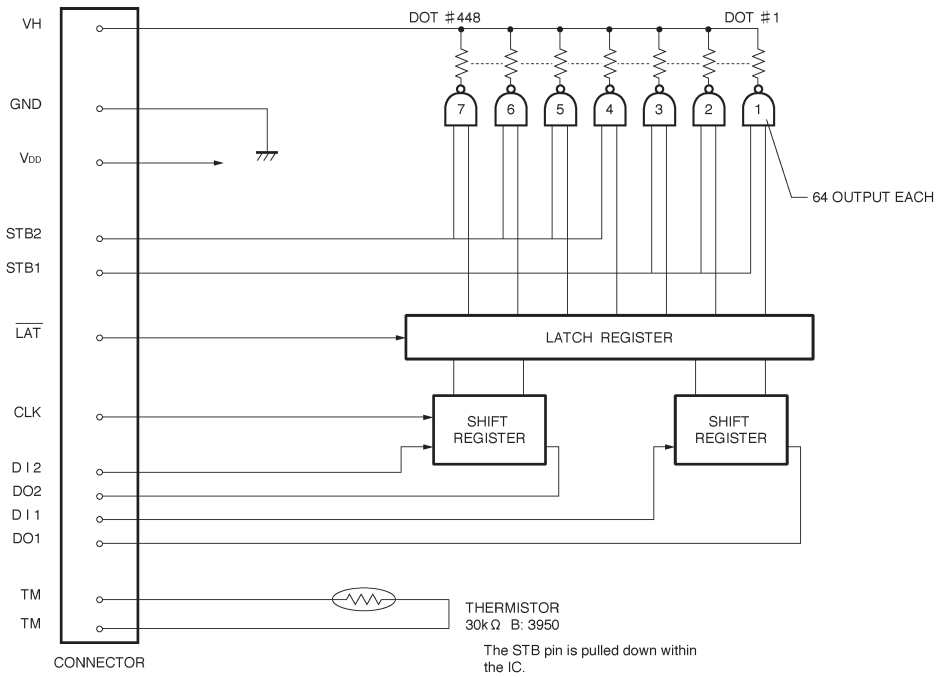


●Equivalent circuit



DI No.	DOT No.
DI 1	1~192
DI 2	193~448

STB No.	DOT No.
STB 1	1~192
STB 2	193~448

Fig. 1

●Pin assignments

CONNECTOR A

No.	Circuit	No.	Circuit
1	L-GND	11	TM
2	V _{DD}	12	TM
3	L-GND	13	DI 1
4	V _{DD}	14	DO1
5	STB2	15	N.C.
6	CLK	16	N.C.
7	DI 2	17	N.C.
8	DO2	18	N.C.
9	STB1	19	N.C.
10	LAT	20	N.C.

CONNECTOR B

No.	Circuit
1	VH
2	VH
3	P-GND
4	P-GND

L-GND: LOGIC GROUND
P-GND: POWER GROUND

●Timing chart

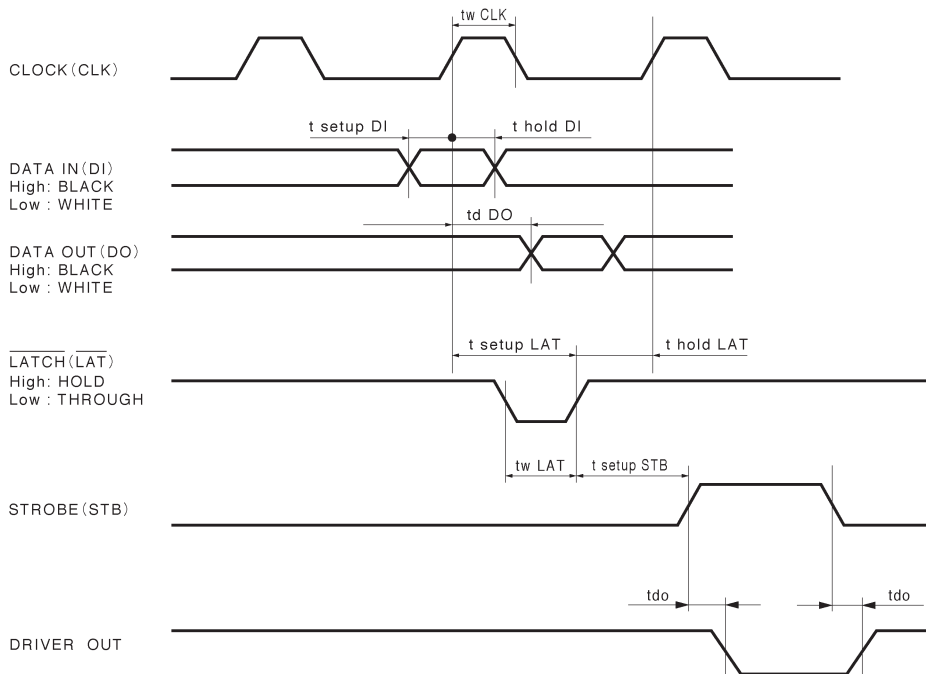


Fig.2

●Characteristics

Parameter	Symbol	Typical	Unit
Effective printing width	—	56	mm
Dot pitch	—	0.125	mm
Total dot number	—	448	dots
Average resistance value	R _{ave}	550	Ω
Applied voltage	V _H	24	V
Applied power	P _O	0.93	W / dot
Print cycle	SLT	0.82	ms
Pulse width	T _{ON}	0.26	ms
Maximum number of dots energized simultaneously	—	448	dots
Maximum clock frequency	—	8	MHz
Maximum roller diameter	—	φ 20.0	mm
Running life / pulse life	—	50 / 5 × 10 ⁷	km / pulses
Operating temperature	—	5~45	°C