

## MC7660



8-Pin SOIC  
PLASTIC PACKAGE  
CASE 751-06

### ORDERING INFORMATION

| Part No. | Package    | Temperature Range |
|----------|------------|-------------------|
| MC7660D  | 8-Pin SOIC | -40°C to +85°C    |

## Product Preview

# Charge Pump DC-to-DC Voltage Converter

### Features

- Converts +5V Supply to -5V Supply
- Wide Input Voltage Range: 1.5V to 10V
- Efficient Voltage Conversion: 99.9%
- Excellent Power Efficiency: 98%
- Low Power Supply: 80 $\mu$ A @ 5V<sub>IN</sub>
- Low Cost and Easy to Use
  - Only Two External Capacitors Required
- Available in Small Outline (SO) Package
- ESD Protection:  $\geq$  2.5kV
- No Dx Diode Required for High Voltage Operation

### Typical Applications

- RS-232 Negative Bias
- Display Bias
- Data Acquisition Negative Supply Generation

The MC7660 is a pin-compatible replacement for the Industry standard ICL7660 charge pump voltage converter. It converts a +1.5V to +10V input to a corresponding -1.5V to -10V output using only two low-cost capacitors, eliminating inductors and their associated cost, size and EMI.

The on-board oscillator operates at a nominal frequency of 10kHz. Operation below 10kHz (for lower supply current applications) is possible by connecting an external capacitor from OSC to ground (with pin 1 open).

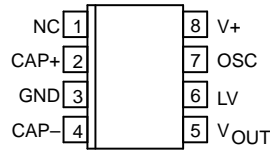
The MC7660 is available in an 8-pin SOIC package in extended temperature range.

This document contains information on a product under development. Motorola reserves the right to change or discontinue this product without notice.



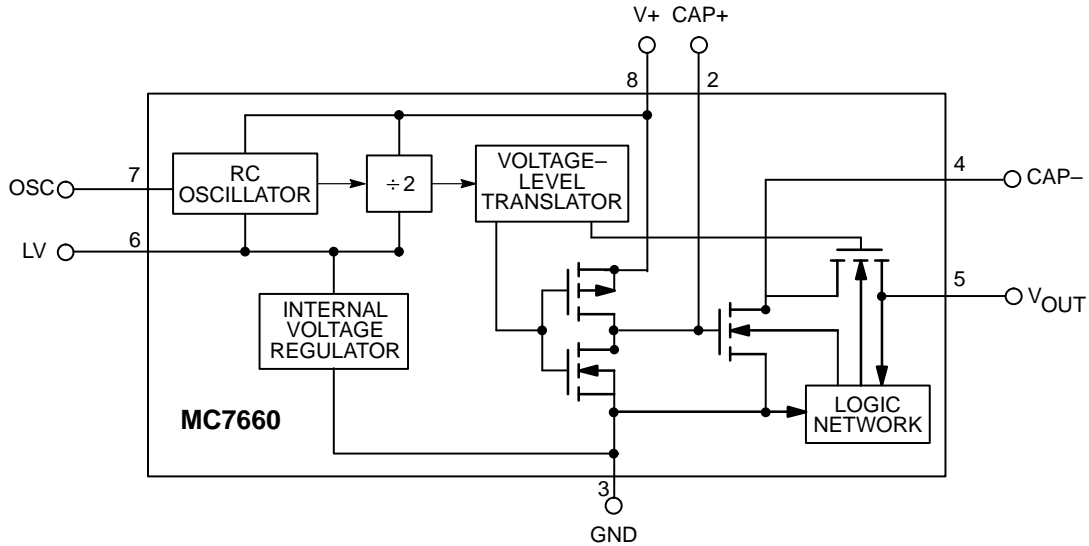
**MC7660**

**PIN CONFIGURATION (SOIC)**



NC = NO INTERNAL CONNECTION

**FUNCTIONAL BLOCK DIAGRAM**



**ABSOLUTE MAXIMUM RATINGS\***

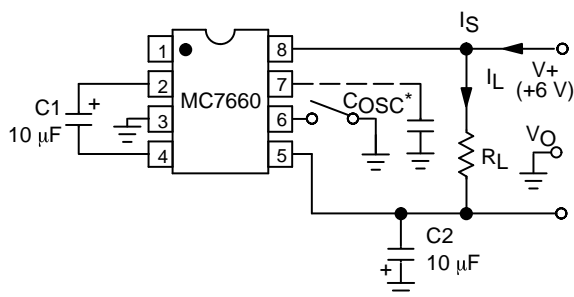
| Parameter  | Value  | Unit        |
|--|--|-------------|
| Supply Voltage   | +10.5  | V           |
| LV and OSC Inputs Voltage (Note 1.)<br>V+ < 5.5V<br>V+ > 5.5V  | -0.3 to (V+ + 0.3)<br>(V+ - 5.5) to (V+ + 0.3) | V           |
| Current Into LV (Note 1.) V+ > 3.5V                            | 20   | μA          |
| Output Short Duration (V <sub>SUPPLY</sub> ≤ 5.5V)             | Continuous                                     |             |
| Power Dissipation (T <sub>A</sub> ≤ 70°C)<br>Derate above 50°C | 470<br>5.5                                     | mW<br>mW/°C |
| Operating Temperature Range                                    | -40 to +85                                     | °C          |
| Storage Temperature Range                                      | -65 to +150                                    | °C          |
| Lead Temperature (Soldering, 10 Seconds)                       | +300   | °C          |

\* Maximum Ratings are those values beyond which damage to the device may occur.

1. Connecting any input terminal to voltages greater than V+ or less than GND may cause destructive latch-up. It is recommended that no inputs from sources operating from external supplies be applied prior to "power up" of the MC7660.

**ELECTRICAL CHARACTERISTICS** (Specifications Measured Over Operating Temperature Range,  $V^+ = 5V$ ,  $C_{OSC} = 0$ , Test Circuit (Figure 1), unless otherwise noted.

| Symbol         | Characteristic   | Min | Typ  | Max | Unit             |
|----------------|--|-----|------|-----|------------------|
| $I^+$          | Supply Current ( $R_L = \infty$ )  | —   | 80   | 180 | $\mu A$          |
| $V^+_{H}$      | Supply Voltage Range, High<br>( $-40^\circ C \leq T_A \leq +85^\circ C$ , $R_L = 10\text{ k}\Omega$ , LV Open)   | 3.0 | —    | 10  | V                |
| $V^+_{L}$      | Supply Voltage Range, Low<br>( $-40^\circ C \leq T_A \leq +85^\circ C$ , $R_L = 10\text{ k}\Omega$ , LV to GND)  | 1.5 | —    | 3.5 | V                |
| $R_{OUT}$      | Output Source Resistance<br>$I_{OUT} = 20\text{ mA}$ , $T_A = 25^\circ C$<br>$I_{OUT} = 20\text{ mA}$ , $0^\circ C \leq T_A \leq +70^\circ C$<br>$I_{OUT} = 20\text{ mA}$ , $-40^\circ C \leq T_A \leq +85^\circ C$<br>$V^+ = 2V$ , $I_{OUT} = 3\text{ mA}$ , LV to GND, $0^\circ C \leq T_A \leq +70^\circ C$ | —   | 70   | 100 | $\Omega$         |
| $F_{OSC}$      | Oscillator Frequency (Pin 7 Open)  | —   | 10   | —   | kHz              |
| $P_{EFF}$      | Power Efficiency ( $R_L = 5\text{ k}\Omega$ )  | 95  | 98   | —   | %                |
| $V_{OUT\ EFF}$ | Voltage Conversion Efficiency  | 97  | 99.9 | —   | %                |
| $Z_{OSC}$      | Oscillator Impedance<br>$V^+ = 2V$<br>$V^+ = 5V$   | —   | 1000 | —   | $\text{k}\Omega$ |



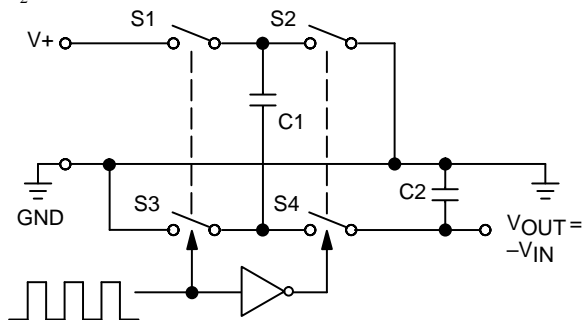
\*NOTE: For large values of  $C_{OSC}$  ( $>1000\text{ pF}$ ), the values of  $C1$  and  $C2$  should be increased to  $100\text{ }\mu\text{F}$ .

**Figure 1. MC7660 Test Circuit**

## APPLICATIONS INFORMATION

## Detailed Description

The MC7660 contains all the necessary circuitry to implement a voltage inverter, with the exception of two external capacitors, which may be inexpensive 10  $\mu\text{F}$  polarized electrolytic capacitors. Operation is best understood by considering Figure 2, which shows an idealized voltage inverter. Capacitor  $C_1$  is charged to a voltage,  $V^+$ , for the half cycle when switches  $S_1$  and  $S_3$  are closed. (**Note:** Switches  $S_2$  and  $S_4$  are open during this half cycle.) During the second half cycle of operation, switches  $S_2$  and  $S_4$  are closed, with  $S_1$  and  $S_3$  open, thereby shifting capacitor  $C_1$  negatively by  $V^+$  volts. Charge is then transferred from  $C_1$  to  $C_2$ , such that the voltage on  $C_2$  is exactly  $V^+$ , assuming ideal switches and no load on  $C_2$ .



**Figure 2. Idealized Charge Pump Inverter**

The four switches in Figure 2 are MOS power switches;  $S_1$  is a P-channel device, and  $S_2$ ,  $S_3$  and  $S_4$  are N-channel devices. The main difficulty with this approach is that in integrating the switches, the substrates of  $S_3$  and  $S_4$  must always remain reverse-biased with respect to their sources, but not so much as to degrade their ON resistances. In addition, at circuit start-up, and under output short circuit conditions ( $V_{\text{OUT}} = V^+$ ), the output voltage must be sensed and the substrate bias adjusted accordingly. Failure to accomplish this will result in high power losses and probable device latch-up.

This problem is eliminated in the MC7660 by a logic network which senses the output voltage ( $V_{\text{OUT}}$ ) together with the level translators, and switches the substrates of  $S_3$  and  $S_4$  to the correct level to maintain necessary reverse bias.

The voltage regulator portion of the MC7660 is an integral part of the anti-latch-up circuitry. Its inherent

voltage drop can, however, degrade operation at low voltages. To improve low-voltage operation, the LV pin should be connected to GND, disabling the regulator. For supply voltages greater than 3.5V, the LV terminal must be left open to ensure latch-up-proof operation and prevent device damage.

## Theoretical Power Efficiency Considerations

In theory, a capacitive charge pump can approach 100% efficiency if certain conditions are met:

- (1) The drive circuitry consumes minimal power.
- (2) The output switches have extremely low ON resistance and virtually no offset.
- (3) The impedances of the pump and reservoir capacitors are negligible at the pump frequency.

The MC7660 approaches these conditions for negative voltage multiplication if large values of  $C_1$  and  $C_2$  are used. **Energy is lost only in the transfer of charge between capacitors if a change in voltage occurs.** The energy lost is defined by:

$$E = 1/2 C_1 (V_1^2 - V_2^2)$$

$V_1$  and  $V_2$  are the voltages on  $C_1$  during the pump and transfer cycles. If the impedances of  $C_1$  and  $C_2$  are relatively high at the pump frequency (refer to Figure 2), compared to the value of  $R_L$ , there will be a substantial difference in voltages  $V_1$  and  $V_2$ . Therefore, it is not only desirable to make  $C_2$  as large as possible to eliminate output voltage ripple, but also to employ a correspondingly large value for  $C_1$  in order to achieve maximum efficiency of operation.

## Dos and Don'ts

- Do not exceed maximum supply voltages.
- Do not connect LV terminal to GND for supply voltages greater than 3.5V.
- Do not short circuit the output to  $V^+$  supply for voltages above 5.5V for extended periods; however, transient conditions including start-up are okay.
- When using polarized capacitors in the inverting mode, the + terminal of  $C_1$  must be connected to pin 2 of the MC7660 and the + terminal of  $C_2$  must be connected to GND Pin 3.

### Simple Negative Voltage Converter

Figure 3 shows typical connections to provide a negative supply where a positive supply is available. A similar scheme may be employed for supply voltages anywhere in the operating range of +1.5V to +10V, keeping in mind that pin 6 (LV) is tied to the supply negative (GND) only for supply voltages below 3.5V.

The output characteristics of the circuit in Figure 3 are those of a nearly ideal voltage source in series with 70Ω. Thus, for a load current of -10mA and a supply voltage of +5V, the output voltage would be -4.3V.

The dynamic output impedance of the MC7660 is due, primarily, to capacitive reactance of the charge transfer capacitor ( $C_1$ ). Since this capacitor is connected to the output for only 1/2 of the cycle, the equation is:

$$X_C = \frac{2}{2\pi f C_1} = 3.18\Omega,$$

where  $f = 10\text{kHz}$  and  $C_1 = 10\mu\text{F}$ .

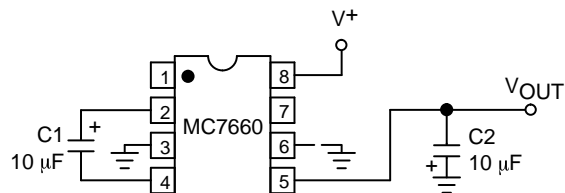


Figure 3. Simple Negative Converter

### Parallel Devices

Any number of MC7660 voltage converters may be paralleled to reduce output resistance (Figure 4). The reservoir capacitor,  $C_2$ , serves all devices, while each device requires its own pump capacitor,  $C_1$ . The resultant output resistance would be approximately:

$$R_{OUT} = \frac{R_{OUT} \text{ (of MC7660)}}{n \text{ (number of devices)}}$$

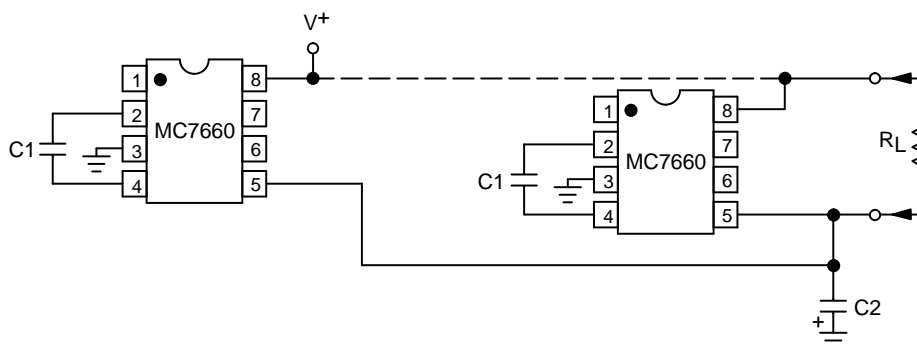


Figure 4. Paralleling Devices Lowers Output Impedance

### Cascading Devices

The MC7660 may be cascaded as shown (Figure 5) to produce larger negative multiplication of the initial supply voltage. However, due to the finite efficiency of each device, the practical limit is 10 devices for light loads. The output voltage is defined by:

$$V_{OUT} = -n (V_{IN})$$

where  $n$  is an integer representing the number of devices cascaded. The resulting output resistance would be approximately the weighted sum of the individual MC7660  $R_{OUT}$  values.

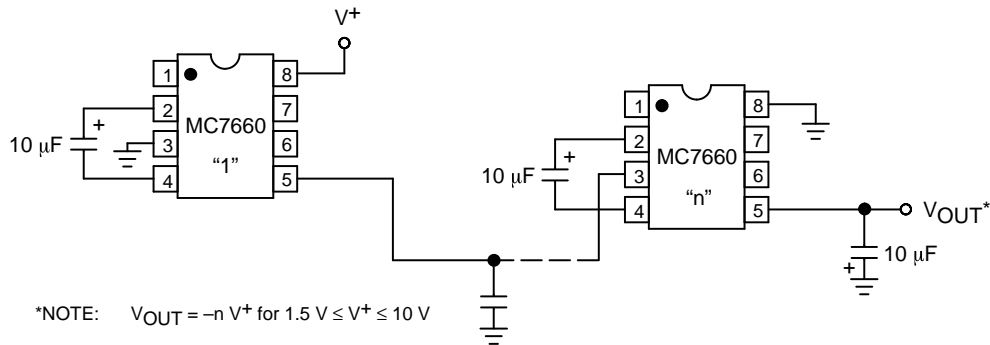
### Changing the MC7660 Oscillator Frequency

It may be desirable in some applications (due to noise or other considerations) to increase the oscillator frequency. This is achieved by overdriving the oscillator from an external clock, as shown in Figure 6. In order to prevent possible device latch-up, a 1kΩ resistor must be used in series with the clock output. In a situation where

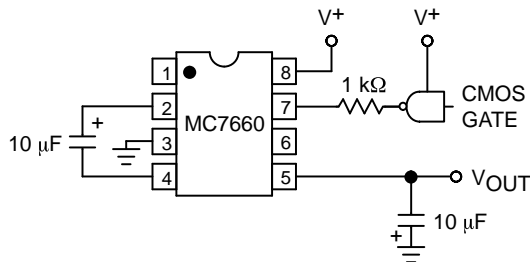
the designer has generated the external clock frequency using TTL logic, the addition of a 10kΩ pull-up resistor to  $V^+$  supply is required. Note that the pump frequency with external clocking, as with internal clocking, will be 1/2 of the clock frequency. Output transitions occur on the positive-going edge of the clock.

It is also possible to increase the conversion efficiency of the MC7660 at low load levels by lowering the oscillator frequency. This reduces the switching losses, and is achieved by connecting an additional capacitor,  $C_{OSC}$ , as shown in Figure 7. Lowering the oscillator frequency will cause an undesirable increase in the impedance of the pump ( $C_1$ ) and the reservoir ( $C_2$ ) capacitors. To overcome this, increase the values of  $C_1$  and  $C_2$  by the same factor that the frequency has been reduced. For example, the addition of a 100pF capacitor between pin 7 (OSC) and pin 8 ( $V^+$ ) will lower the oscillator frequency to 1kHz from its nominal frequency of 10kHz (a multiple of 10), and necessitate a corresponding increase in the values of  $C_1$  and  $C_2$  (from 10μF to 100μF).

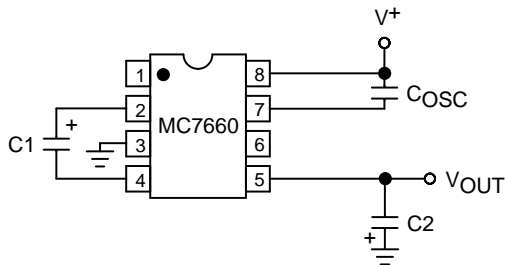
## MC7660



**Figure 5. Increased Output Voltage by Cascading Devices**



**Figure 6. External Clocking**

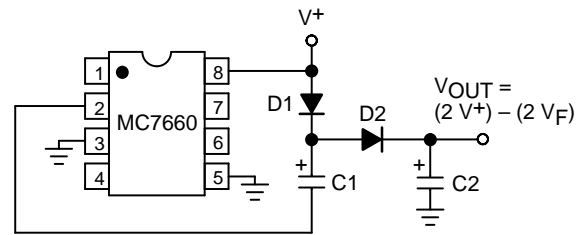


**Figure 7. Lowering Oscillator Frequency**

### Positive Voltage Multiplication

The MC7660 may be employed to achieve positive voltage multiplication using the circuit shown in Figure 8. In this application, the pump inverter switches of the MC7660 are used to charge  $C_1$  to a voltage level of  $V^+ - V_F$  (where  $V^+$  is the supply voltage and  $V_F$  is the forward voltage drop of diode  $D_1$ ). On the transfer cycle, the voltage on  $C_1$  plus the supply voltage ( $V^+$ ) is applied through diode  $D_2$  to capacitor  $C_2$ . The voltage thus created on  $C_2$  becomes  $(2 V^+) - (2 V_F)$ , or twice the supply voltage minus the combined forward voltage drops of diodes  $D_1$  and  $D_2$ .

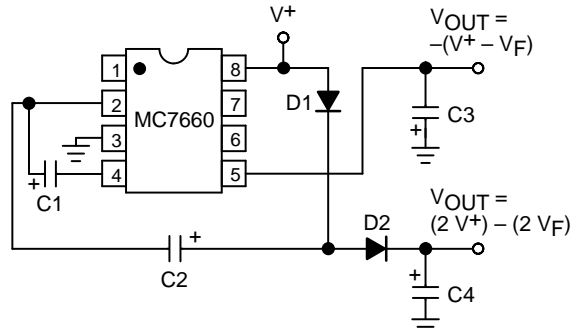
The source impedance of the output ( $V_{OUT}$ ) will depend on the output current, but for  $V^+ = 5V$  and an output current of 10 mA, it will be approximately 60Ω.



**Figure 8. Positive Voltage Multiplier**

### Combined Negative Voltage Conversion and Positive Supply Multiplication

Figure 9 combines the functions shown in Figures 3 and 8 to provide negative voltage conversion and positive voltage multiplication simultaneously. This approach would be, for example, suitable for generating +9V and -5V from an existing +5V supply. In this instance, capacitors  $C_1$  and  $C_3$  perform the pump and reservoir functions, respectively, for the generation of the negative voltage, while capacitors  $C_2$  and  $C_4$  are pump and reservoir, respectively, for the multiplied positive voltage. There is a penalty in this configuration which combines both functions, however, in that the source impedances of the generated supplies will be somewhat higher due to the finite impedance of the common charge pump driver at pin 2 of the device.

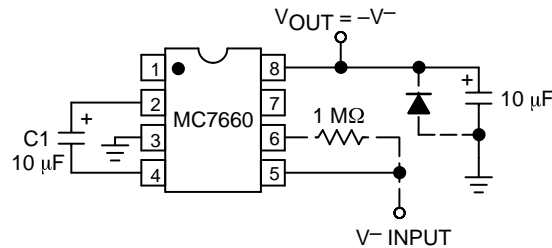


**Figure 9. Combined Negative Converter and Positive Multiplier**

**Efficient Positive Voltage Multiplication/Conversion**

Since the switches that allow the charge pumping operation are bidirectional, the charge transfer can be performed backwards as easily as forwards. Figure 10 shows a MC7660 transforming -5V to +5V (or +5V to +10V, etc.). The only problem here is that the internal

clock and switch-drive section will not operate until some positive voltage has been generated. An initial inefficient pump, as shown in Figure 9, could be used to start this circuit up, after which it will bypass the other (D<sub>1</sub> and D<sub>2</sub> in Figure 9 would never turn on), or else the diode and resistor shown dotted in Figure 10 can be used to "force" the internal regulator on.

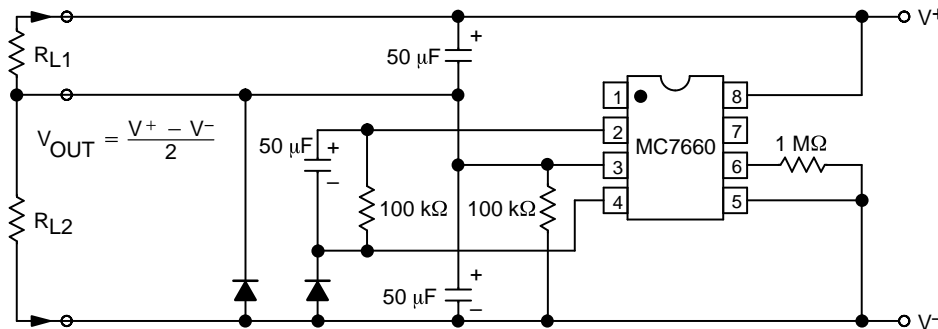


**Figure 10. Positive Voltage Conversion**

**Voltage Splitting**

The same bidirectional characteristics used in Figure 10 can also be used to split a higher supply in half, as shown in Figure 11. The combined load will be evenly shared between the two sides. Once again, a high value resistor to the LV pin ensures start-up. Because the

switches share the load in parallel, the output impedance is much lower than in the standard circuits, and higher currents can be drawn from the device. By using this circuit, and then the circuit of Figure 5, +15V can be converted (via +7.5V and -7.5V) to a nominal -15V, though with rather high series resistance (~250Ω).



**Figure 11. Splitting a Supply in Half**

TYPICAL PERFORMANCE CHARACTERISTICS

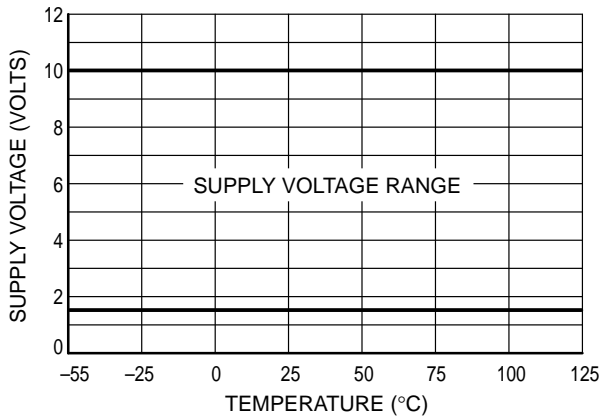


Figure 12. Operating Voltage versus Temperature

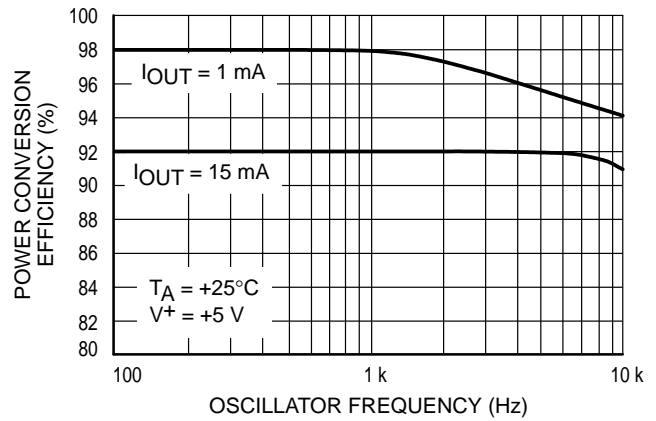


Figure 13. Power Conversion Efficiency versus Oscillator Frequency

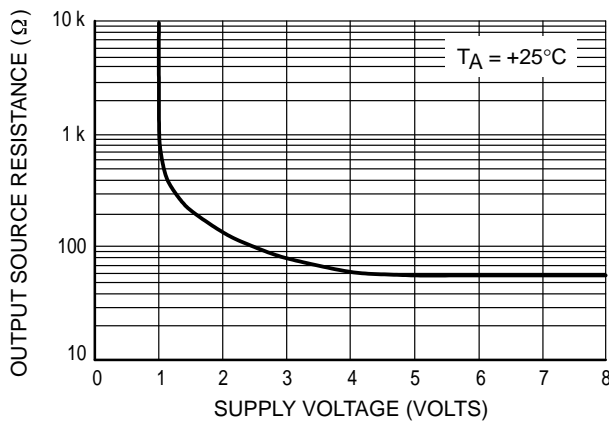


Figure 14. Output Source Resistance versus Supply Voltage

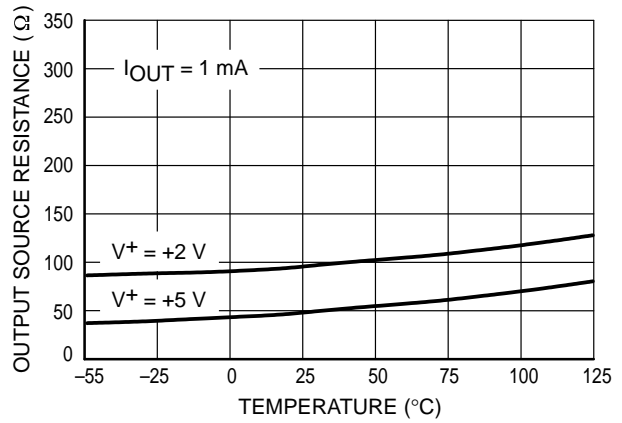


Figure 15. Output Source Resistance versus Temperature

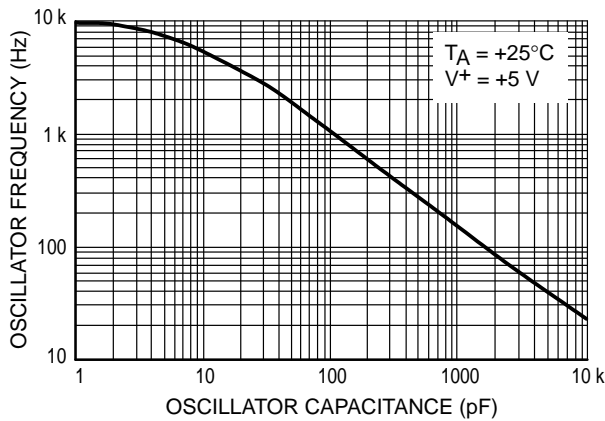


Figure 16. Frequency of Oscillation versus Oscillator Capacitance

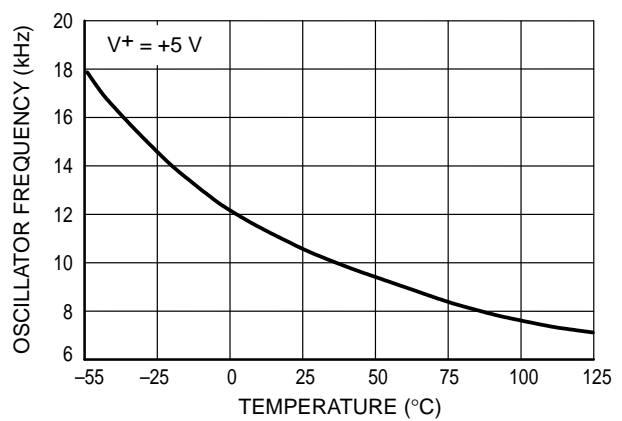


Figure 17. Unloaded Oscillator Frequency versus Temperature



TYPICAL CHARACTERISTICS (Cont.)

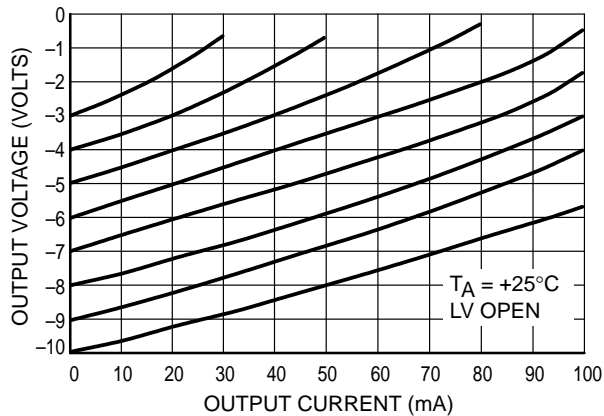


Figure 18. Output Voltage versus Output Current

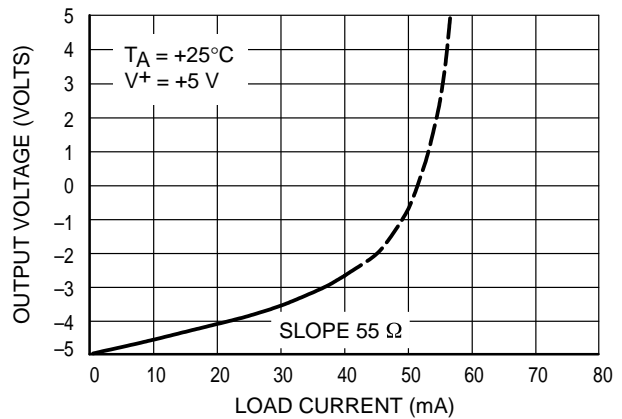


Figure 19. Output Voltage versus Load Current

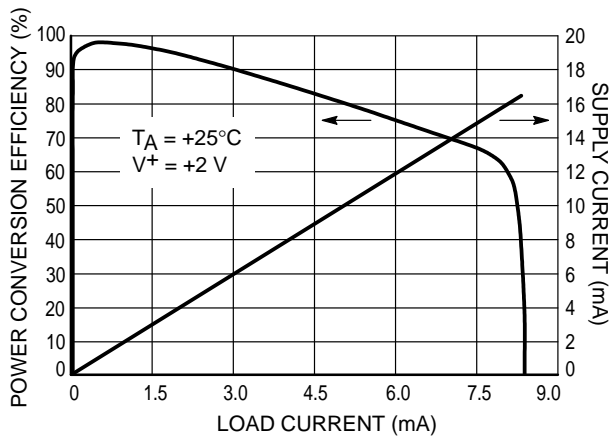


Figure 20. Supply Current and Power Conversion Efficiency versus Load Current

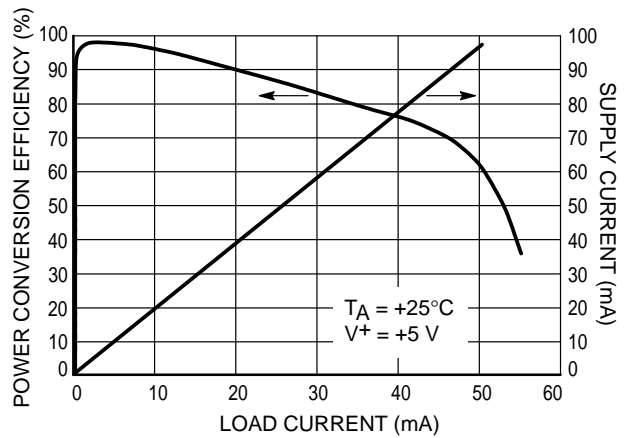


Figure 21. Supply Current and Power Conversion Efficiency versus Load Current

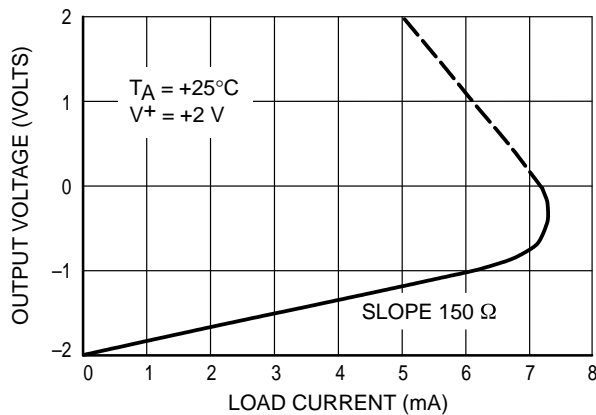
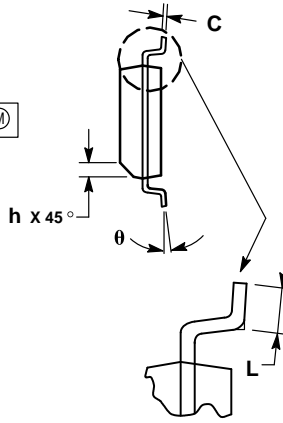
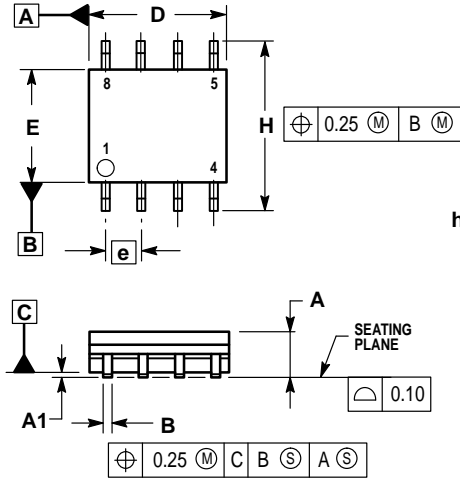


Figure 22. Output Voltage versus Load Current

OUTLINE DIMENSIONS

8-Pin SOIC  
 PLASTIC PACKAGE  
 CASE 751-06  
 ISSUE T




NOTES:

1. DIMENSIONING AND TOLERANCING PER ASME Y14.5M, 1994.
2. DIMENSIONS ARE IN MILLIMETER.
3. DIMENSION D AND E DO NOT INCLUDE MOLD PROTRUSION.
4. MAXIMUM MOLD PROTRUSION 0.15 PER SIDE.
5. DIMENSION B DOES NOT INCLUDE DAMBAR PROTRUSION. ALLOWABLE DAMBAR PROTRUSION SHALL BE 0.127 TOTAL IN EXCESS OF THE B DIMENSION AT MAXIMUM MATERIAL CONDITION.

| DIM | MILLIMETERS |      |
|-----|-------------|------|
|     | MIN         | MAX  |
| A   | 1.35        | 1.75 |
| A1  | 0.10        | 0.25 |
| B   | 0.35        | 0.49 |
| C   | 0.19        | 0.25 |
| D   | 4.80        | 5.00 |
| E   | 3.80        | 4.00 |
| e   | 1.27 BSC    |      |
| H   | 5.80        | 6.20 |
| h   | 0.25        | 0.50 |
| L   | 0.40        | 1.25 |
| θ   | 0°          | 7°   |

# NOTES

Motorola reserves the right to make changes without further notice to any products herein. Motorola makes no warranty, representation or guarantee regarding the suitability of its products for any particular purpose, nor does Motorola assume any liability arising out of the application or use of any product or circuit, and specifically disclaims any and all liability, including without limitation consequential or incidental damages. "Typical" parameters which may be provided in Motorola data sheets and/or specifications can and do vary in different applications and actual performance may vary over time. All operating parameters, including "Typicals" must be validated for each customer application by customer's technical experts. Motorola does not convey any license under its patent rights nor the rights of others. Motorola products are not designed, intended, or authorized for use as components in systems intended for surgical implant into the body, or other applications intended to support or sustain life, or for any other application in which the failure of the Motorola product could create a situation where personal injury or death may occur. Should Buyer purchase or use Motorola products for any such unintended or unauthorized application, Buyer shall indemnify and hold Motorola and its officers, employees, subsidiaries, affiliates, and distributors harmless against all claims, costs, damages, and expenses, and reasonable attorney fees arising out of, directly or indirectly, any claim of personal injury or death associated with such unintended or unauthorized use, even if such claim alleges that Motorola was negligent regarding the design or manufacture of the part. Motorola and  are registered trademarks of Motorola, Inc. Motorola, Inc. is an Equal Opportunity/Affirmative Action Employer.

Mfax is a trademark of Motorola, Inc.

**How to reach us:**

**USA/EUROPE/Locations Not Listed:** Motorola Literature Distribution;  
P.O. Box 5405, Denver, Colorado 80217. 1-303-675-2140 or 1-800-441-2447

**JAPAN:** Motorola Japan Ltd.; SPD, Strategic Planning Office, 141,  
4-32-1 Nishi-Gotanda, Shinagawa-ku, Tokyo, Japan. 81-3-5487-8488

**Customer Focus Center: 1-800-521-6274**

**Mfax™:** RMFAX0@email.sps.mot.com – TOUCHTONE 1-602-244-6609  
Motorola Fax Back System – US & Canada ONLY 1-800-774-1848  
– <http://sps.motorola.com/mfax/>

**ASIA/PACIFIC:** Motorola Semiconductors H.K. Ltd.; Silicon Harbour Centre,  
2, Dai King Street, Tai Po Industrial Estate, Tai Po, N.T., Hong Kong.  
852-26629298

**HOME PAGE:** <http://motorola.com/sps/>



**MOTOROLA**

