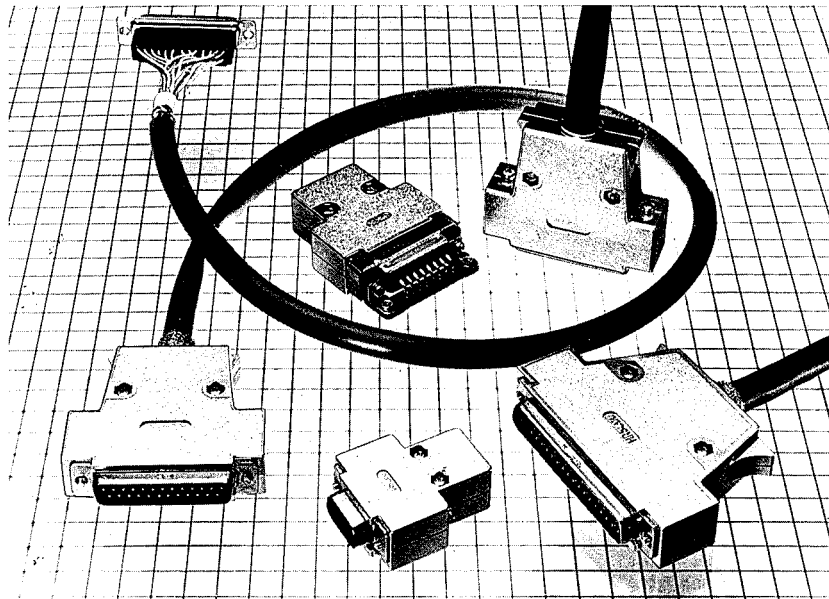


# CTH SERIES METALIZED PLASTIC "D" SUBMINIATURE SHELL

## General

The HIROSE "CTH" plug cases are made of plated plastic for achieve high shielding effectiveness. 9, 15, 25 and 37-contact models are available. Suitable for

protecting the interfaces between units from electro-magnetic interference.



## Features

- (1) Standard screw type locking mechanism provides a strong and secure lock.
- (2) Plated ABS resin enable shell to be lightweight and strong with excellent shielding characteristics (ABS resin UL94V-2/plating UL746C)
- (3) Enhanced shielding effectiveness by clamping the cable shielding part with two types of clamps sandwiched between the plug cases.
- (4) The clamp has a screw to ground the drain wire.
- (5) Standard sizes can be used with HIROSE HD, CD, and FD series connectors and most competitive brands.
- (6) The CTH connectors are made of UL94V-2-plated ABS resin plated in compliance with UL746C standards.

## Applications

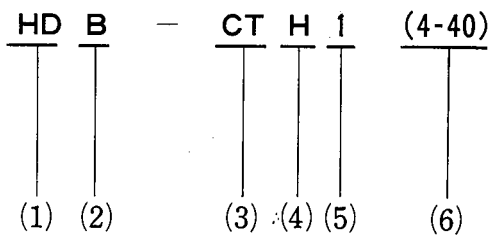
Computers, peripherals and terminals, control equipment, and measuring instruments.

## Material and Finish

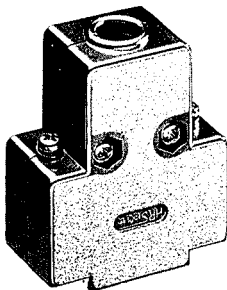
Parts	Materials	Finish
Plug Case	ABS	Chrome plated over nickel plated

## Ordering Information

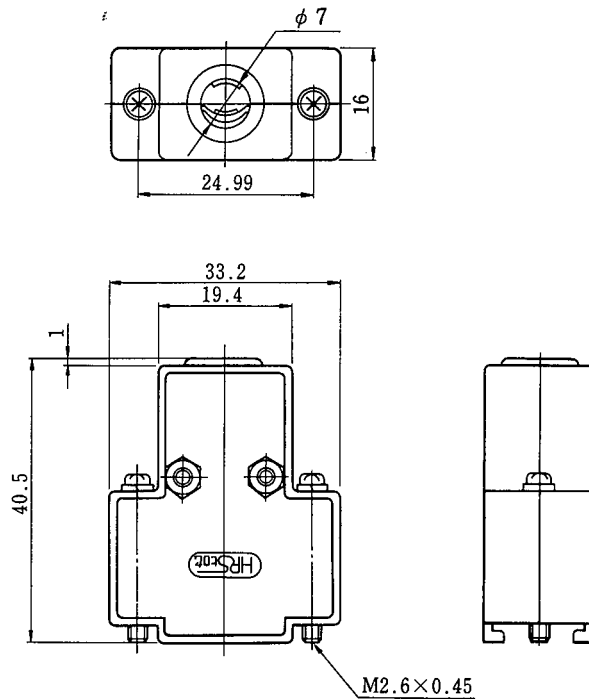
Plug Case

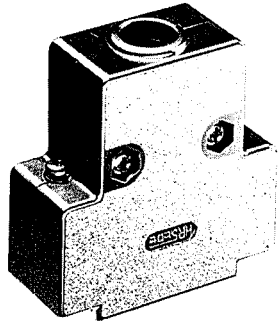


- (1) Series Name  
Connector size: E(9 contacts), A(15 contacts), B(25 contacts), C(37 contacts)
- (3) Type of plug case  
CT: With vertical cable inlet opening
- (4) Serial sign for series  
H: Plug case made of plated plastic
- (5) No sign: Lock screw to be driven with screwdriver  
1: Hand-driven lock screw
- (6) No sign: M2.6  
(4-40): Inch

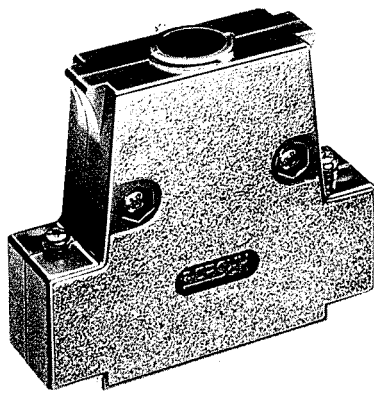
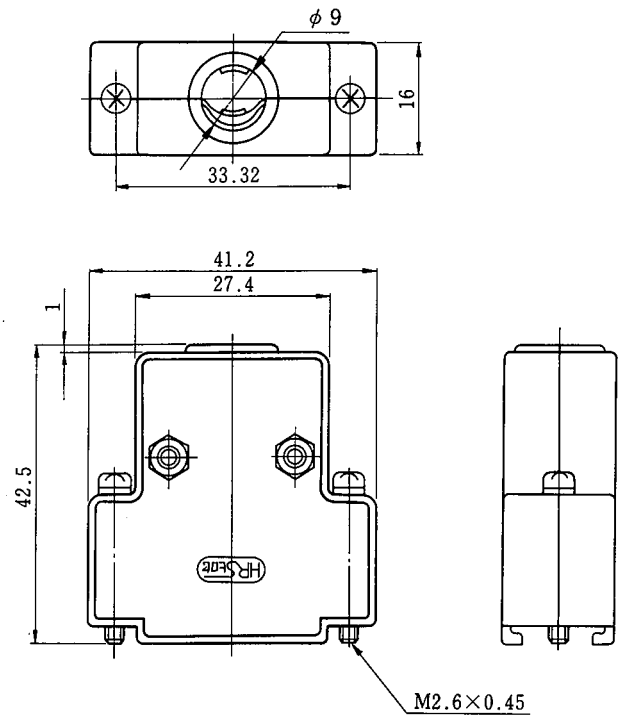


CL211-0276-1  
HDE-CTH

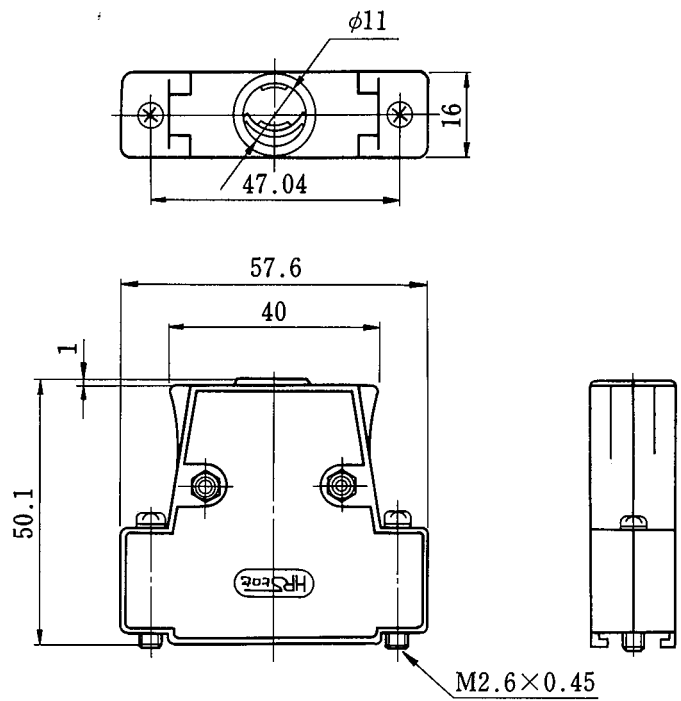


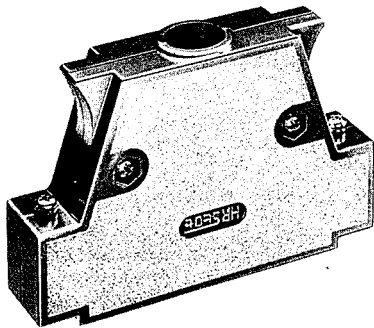


CL211-0277-4  
HDA-CTH

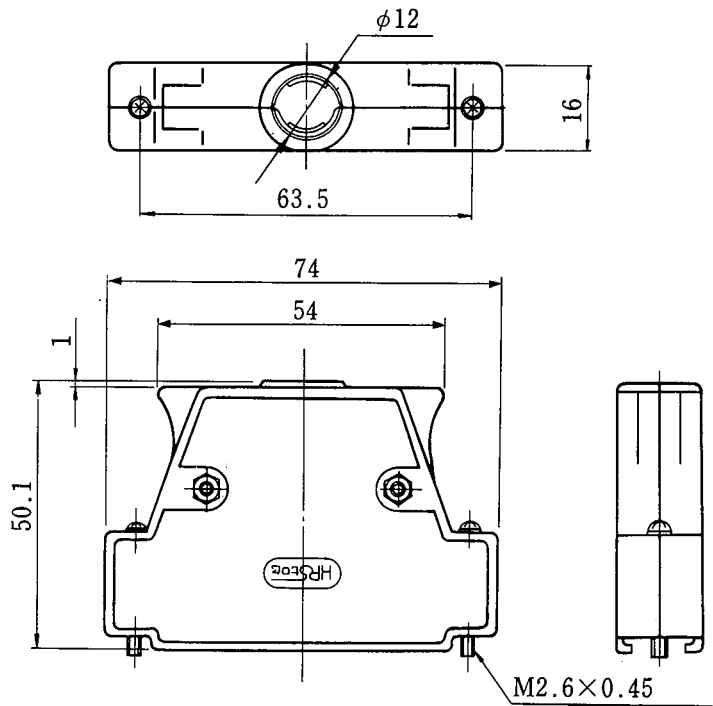


CL211-0278-7  
HDB-CTH

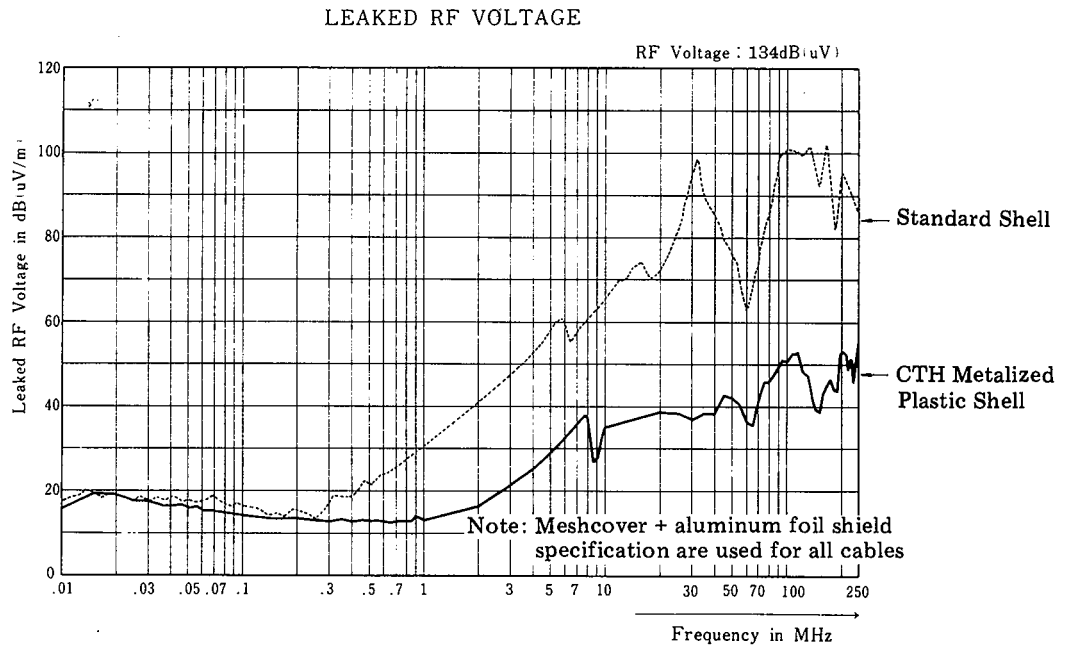




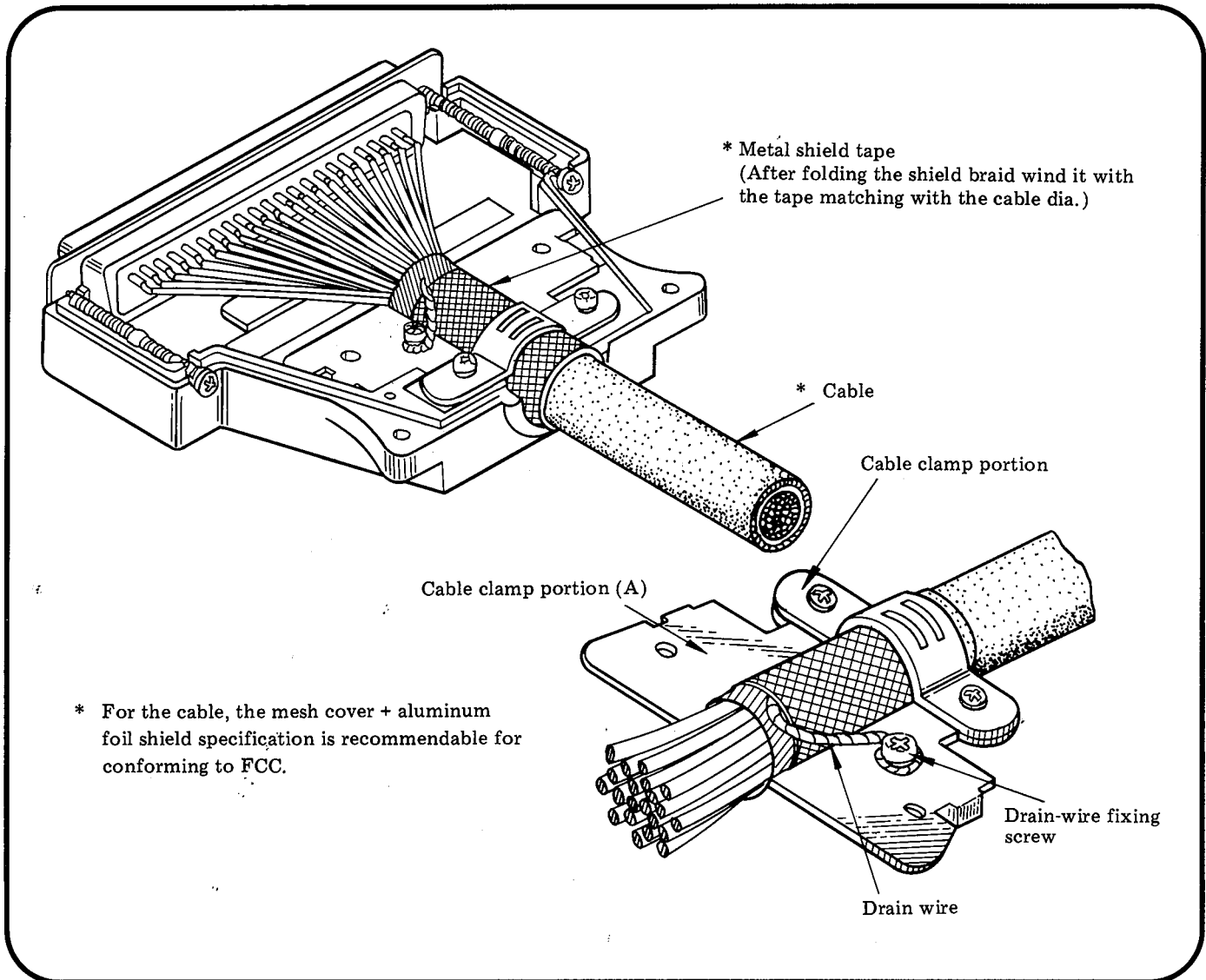
CL211-0274-6  
HDC-CTH



## Shielding Characteristics



## Metalized Plastic Shell Assembling Method



## EMI Test Method

