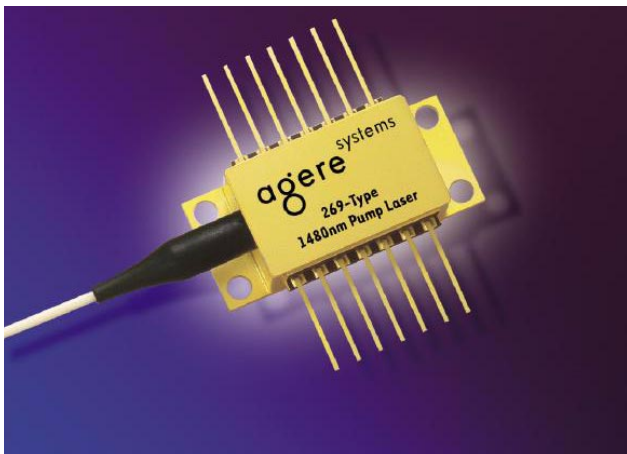


## 269-Type 1480 nm Pump Laser Module



The 269-type pump laser module is designed as a continuous-wave (CW) optical pump source for erbium-doped fiber amplifiers.

### Features

- High-coupled rated output power up to 280 mW, CW
- Wide environmental range
- Field-proven packaging technology
- InGaAsP/InP high-power, strained multiple quantum-well (MQW) chip design
- Internal optical isolator (optional)
- Internal thermoelectric cooler (TEC)
- InGaAs PIN photodetector back-facet monitor
- Single-mode and polarization-maintaining fiber pig-tails
- Compact, 14-pin butterfly package
- Industry compatible package and pinout

### Applications

- Erbium-doped fiber amplifiers (EDFA)

### Description

The 269-type pump laser module represents a family of thermoelectrically cooled, high-power lasers. They are designed as continuous-wave (CW) optical pump sources for dense wavelength-division multiplexing (DWDM) EDFA applications.

The laser modules incorporate a high-power, quantum-well laser chip that achieves fiber powers up to 280 mW.

An integral thermoelectric cooler (TEC) stabilizes the laser at room temperature and, combined with a hermetic environment, allows the device to achieve high-power operation over the extended temperature range of 0 °C to 75 °C. An internal InGaAs PIN photodiode, mounted behind the laser diode, functions as the laser detector and monitors light emissions from the rear facet of the laser.

The 269-type module is offered in a 14-pin, hermetic butterfly package.

## Absolute Maximum Ratings

Stresses in excess of the absolute maximum ratings can cause permanent damage to the device. These are absolute stress ratings only. Functional operation of the device is not implied at these or any other conditions in excess of those given in the operational sections of the data sheet. Exposure to absolute maximum ratings for extended periods can adversely affect device reliability.

Parameter	Symbol	Min	Max	Unit
Operating Case Temperature Range	T <sub>C</sub>	0	75	°C
Storage Case Temperature Range	T <sub>stg</sub>	-40	85	°C
Laser Forward Bias (TEC on):	I <sub>F</sub>			
P <sub>O</sub> = 120 mW—150 mW		—	1000	mA
P <sub>O</sub> = 160 mW—210 mW		—	1500	mA
P <sub>O</sub> = 220 mW—280 mW		—	1900	mA
Laser Reverse Voltage	V <sub>R</sub>	—	2	V
Photodiode Reverse Voltage	V <sub>RMON</sub>	—	20	V
TEC Current	I <sub>TEC</sub>	—	2.2	A
TEC Voltage	V <sub>TEC</sub>	—	5.0	V
Temperature Sensor Current	I <sub>TS</sub>	—	5	mA
Laser Diode Operating Chip Temperature	T <sub>LD</sub>	—	40	°C

## Handling Precautions

### Electrostatic Discharge

**CAUTION: This device is susceptible to damage as a result of electrostatic discharge (ESD). Take proper precautions during both handling and testing. Follow guidelines such as EIA\* Standard EIA 625.**

Agere Systems Inc. employs a human-body model (HBM) for ESD-susceptibility testing and protection-design evaluation. ESD voltage thresholds are dependent on the critical parameters used to define the model. A standard HBM (resistance = 1.5 kΩ, capacitance = 100 pF) is widely used and, therefore, can be used for comparison purposes. The HBM ESD withstand voltage established for the 269-type laser pump module is ±500 V.

\* EIA is a registered trademark of The Electronic Industries Association.

## Electrical/Optical Characteristics

**Table 1. Electrical/Optical Characteristics** (All performance parameters are specified for  $I_F, O_P, T_{SET} = 25\text{ }^\circ\text{C}$ ,  $T_{CASE} \sim 25\text{ }^\circ\text{C}$ , unless otherwise specified.)

Parameter	Symbol	Conditions	Min	Typ	Max	Unit
Operating Optical Power	$P_O$	—	120	—	280	mW
Center Wavelength	$\lambda_c$	—	1465	1480	1490	nm
RMS Spectral Width	$\Delta\lambda$	$P_O$	—	4	10	nm
BOL Operating Laser Forward Current: $P_O = 120\text{ mW}$ $P_O = 130\text{ mW}$ $P_O = 140\text{ mW}$ $P_O = 150\text{ mW}$	$I_F, O_P, BOL$	— — — —	— — — —	— — — —	550 600 600 600	mA mA mA mA
BOL Operating Laser Forward Current: $P_O = 160\text{ mW}$ $P_O = 170\text{ mW}$ $P_O = 180\text{ mW}$ $P_O = 190\text{ mW}$ $P_O = 200\text{ mW}$	$I_F, O_P, BOL$	— — — — —	— — — — —	— — — — —	650 700 700 750 800	mA mA mA mA mA
BOL Operating Laser Forward Current: $P_O = 210\text{ mW}$ $P_O = 220\text{ mW}$ $P_O = 230\text{ mW}$ $P_O = 240\text{ mW}$ $P_O = 250\text{ mW}$ $P_O = 260\text{ mW}$ $P_O = 270\text{ mW}$ $P_O = 280\text{ mW}$	$I_F, O_P, BOL$	— — — — — — — —	— — — — — — — —	— — — — — — — —	850 900 950 1000 1000 1100 1100 1100	mA mA mA mA mA mA mA mA
EOL Operating Laser Forward Current	$I_F, O_P, EOL$	—	—	—	1.15 x $I_F, O_P, BOL$	mA
EOL Laser Diode Forward Voltage	$V_R$	$I_F, O_P, EOL$	—	2.3	3.0	V
Module Optical Isolation (optional feature)	ISO	EOL Over $T_{CASE}$ RANGE	30	—	—	dB
Polarization Extinction Ratio	PER	—	13	—	—	dB

**Table 2. Monitor Photodiode Characteristics** (All test parameters are specified for  $I_F, O_P, T_{SET} = 25\text{ }^\circ\text{C}$ ,  $T_{CASE} \sim 25\text{ }^\circ\text{C}$  unless otherwise specified.)

Parameter	Symbol	Conditions	Min	Max	Unit
Monitor Diode Current	$I_{BF}$	—	200	2000	$\mu\text{A}$
Monitor Diode Dark Current	$I_D$	$V_R = -5\text{ V}, I_F = 0$	—	100	nA

**Electrical/Optical Characteristics** (continued)

**Table 3. TEC and Thermistor Characteristics** (All performance parameters are specified for IF, OP, TSET = 25 °C, unless otherwise specified.)

Parameter	Symbol	Conditions	Min	Max	Unit
TEC Current: Po = 120 mW Po = 130 mW Po = 140 mW Po = 150 mW	ITEC	TSET = 25 °C; TCASE = 75 °C; ΔT = 50 °C, EOL	—	1.6	A
—			1.6	A	
—			1.6	A	
—			1.6	A	
TEC Current: Po = 160 mW Po = 170 mW Po = 180 mW Po = 190 mW Po = 200 mW	ITEC	TSET = 25 °C; TCASE = 70 °C; ΔT = 45 °C, EOL	—	1.7	A
—			1.7	A	
—			1.7	A	
—			1.7	A	
—			1.7	A	
TEC Current: Po = 210 mW Po = 220 mW Po = 230 mW Po = 240 mW Po = 250 mW Po = 260 mW Po = 270 mW Po = 280 mW	ITEC	TSET = 25 °C; TCASE = 65 °C; ΔT = 40 °C, EOL	—	2.0	A
—			2.0	A	
—			2.0	A	
—			2.0	A	
—			2.0	A	
—			2.0	A	
—			2.0	A	
—			2.0	A	
TEC Voltage: Po = 120 mW Po = 130 mW Po = 140 mW Po = 150 mW	VTEC	TSET = 25 °C; TCASE = 75 °C; ΔT = 50 °C, EOL	—	3.5	V
—			3.5	V	
—			3.5	V	
—			3.5	V	
TEC Voltage: Po = 160 mW Po = 170 mW Po = 180 mW Po = 190 mW Po = 200 mW	VTEC	TSET = 25 °C; TCASE = 70 °C; ΔT = 45 °C, EOL	—	3.7	V
—			3.7	V	
—			3.7	V	
—			3.7	V	
—			3.7	V	
TEC Voltage: Po = 210 mW Po = 220 mW Po = 230 mW Po = 240 mW Po = 250 mW Po = 260 mW Po = 270 mW Po = 280 mW	VTEC	TSET = 25 °C; TCASE = 65 °C; ΔT = 40 °C, EOL	—	4.2	V
—			4.2	V	
—			4.2	V	
—			4.2	V	
—			4.2	V	
—			4.2	V	
—			4.2	V	
—			4.2	V	
Thermistor Resistance	RTHERM	25 °C Laser Diode Set Temperature	9.5	10.5	kΩ
Thermistor B Constant	B	—	3700	4100	K

## User Information

Table 4. Pin Information

Pin Number	Connection
1	TE Cooler (+)*
2	Thermistor
3	Monitor Anode (-Bias)
4	Monitor Cathode (+Bias)
5	Thermistor
6	No Connect
7	No Connect
8	No Connect
9	No Connect
10	Laser Anode (+)
11	Laser Cathode (-)
12	No Connect
13	Package Ground
14	TEC Cooler (-)

\* A positive input into this pin cools the laser.

## Fiber Characteristics

- Length of fiber pigtail:
  - 1.75 m ± 0.25 m
- Standard fiber:
  - Cladding OD: 125 μm ± 2 μm
  - Acrylate buffer OD: 250 μm ± 15 μm
  - Cut off wavelength: <1320 nm
- Polarization-maintaining fiber:
  - PANDA
  - Cut off wavelength: <1400 nm
  - Acrylate buffer: 400 μm

## Mounting and Connections

**CAUTION:** This device is susceptible to damage as a result of electrostatic discharge. Proper precautions should be taken during both handling and testing.

The base of the laser module (see Outline Diagram) should be maintained at or below 75 °C (maximum) during operation. Interfaces between the laser module base and heat sink must be clean, and the use of a thermal filler may be necessary.

## Mounting Instructions

The minimum fiber bend radius is 1.0 in.

To avoid degradation in performance, mount the module on the board as follows:

1. Place the bottom flange of the module on a flat heat sink at least 0.5 in. x 1.180 in. (12.7 mm x 30 mm) in size. The surface finish of the heat sink should be better than 32 μin. (0.8 μm), and the surface flatness must be better than 0.001 in. (25.4 μm). Using thermal conductive grease is optional; however, thermal performance may be improved if conductive grease is applied between the bottom flange and the heat sink.
2. Mount four #2-56 screws with Fillister heads (M2-3 mm) at the four screw hole locations (see Outline Diagram). The Fillister head diameter must not exceed 0.140 in. (3.55 mm). Do not apply more than 1 in./lb. of torque to the screws.

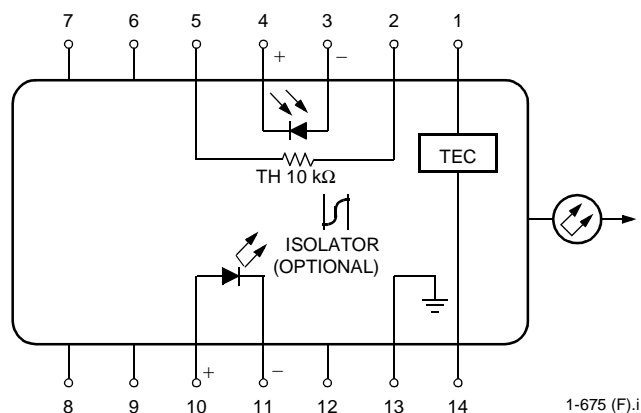
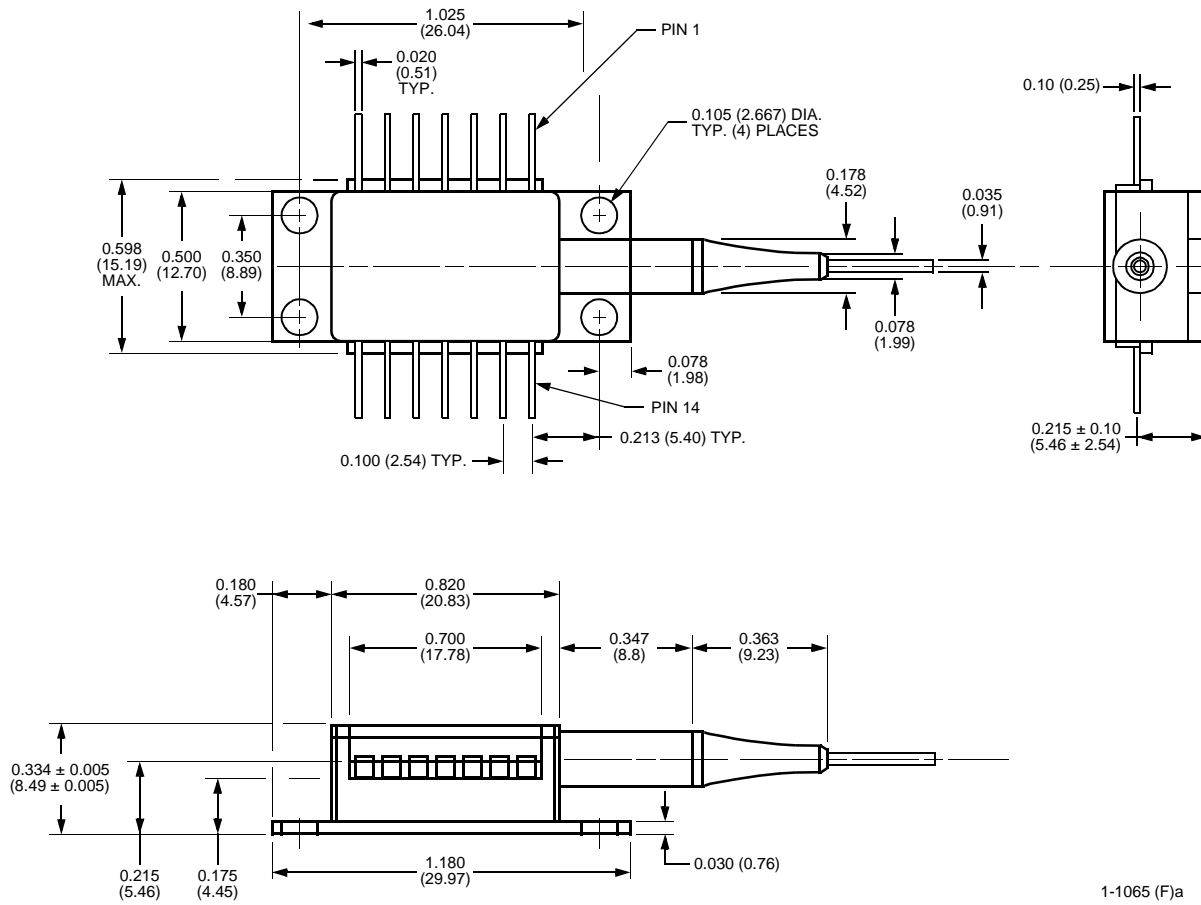


Figure 1. Circuit Schematic

Outline Diagram

Dimensions are in inches and (millimeters).



## Laser Safety Information

### Class IIIb Laser Product

FDA/CDRH Class IIIb laser product. All versions are Class IIIb laser products per CDRH, 21 CFR 1040 Laser Safety requirements. All versions are Class IIIb laser products per *IEC*\* 60825-1:1993. The device has been classified with the FDA under accession number 8720010.

This product complies with 21 CFR 1040.10 and 1040.11.

8.8  $\mu\text{m}$ /125  $\mu\text{m}$  single-mode fiber pigtail (see Fiber Characteristics, page 5).

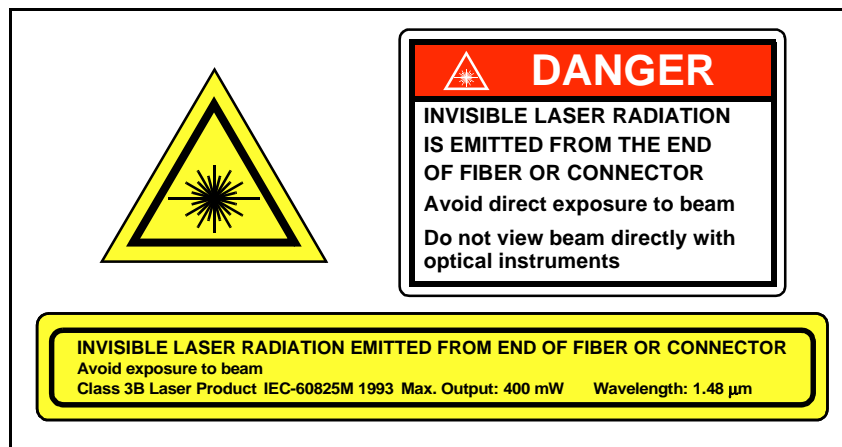
Wavelength = 1.48  $\mu\text{m}$ .

Maximum power = 400 mW.

Because of size constraints, laser safety labeling (including an FDA Class IIIb label) is not affixed to the module but attached to the outside of the shipping carton.

Product is not shipped with power supply.

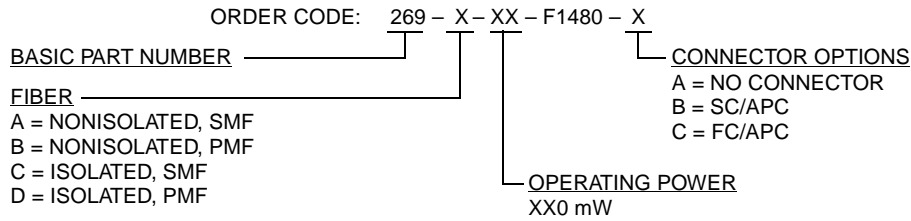
**Caution: Use of controls, adjustments, and procedures other than those specified herein may result in hazardous laser radiation exposure.**



\* *IEC* is a registered trademark of The International Electrotechnical Commission.

Ordering Information

Device Code Information



For additional information, contact your Agere Systems Account Manager or the following:

INTERNET: <http://www.agere.com>

E-MAIL: [docmaster@micro.lucent.com](mailto:docmaster@micro.lucent.com)

N. AMERICA: Agere Systems Inc., 555 Union Boulevard, Room 30L-15P-BA, Allentown, PA 18109-3286  
1-800-372-2447, FAX 610-712-4106 (In CANADA: 1-800-553-2448, FAX 610-712-4106)

ASIA PACIFIC: Agere Systems Singapore Pte. Ltd., 77 Science Park Drive, #03-18 Cintech III, Singapore 118256  
Tel. (65) 778 8833, FAX (65) 777 7495

CHINA: Agere Systems (Shanghai) Co., Ltd., 33/F Jin Mao Tower, 88 Century Boulevard Pudong, Shanghai 200121 PRC  
Tel. (86) 21 50471212, FAX (86) 21 50472266

JAPAN: Agere Systems Japan Ltd., 7-18, Higashi-Gotanda 2-chome, Shinagawa-ku, Tokyo 141, Japan  
Tel. (81) 3 5421 1600, FAX (81) 3 5421 1700

EUROPE: Data Requests: DATALINE: Tel. (44) 7000 582 368, FAX (44) 1189 328 148  
Technical Inquiries: OPTOELECTRONICS MARKETING: (44) 1344 865 900 (Ascot UK)

Agere Systems Inc. reserves the right to make changes to the product(s) or information contained herein without notice. No liability is assumed as a result of their use or application.