



SANYO Semiconductors

DATA SHEET

LA5647H — Monolithic Linear IC For Car AV Equipment Multifunction Multi-Voltage Power Supply

Overview

The LA5647H power supply IC provides a set of functions optimal for car audio applications. These functions include regulators, emitter-follower outputs, open-collector outputs, and a reset function.

Features

- 5V/50mA regulator (always on, with reverse current flow prevention function).
- 10V/2000mA regulator (when used with an external 2SB921 PNP transistor) with standby function (on/off control).
- Regulators (four for 8V systems and one 5V system) with on/off functions controlled by a shift resistor/latch function. This IC also provides four open-collector output systems and two emitter-follower type output systems.
- Full complement of built-in protection circuits.
 - 1) Overcurrent protection for each V_O except the open collector outputs.
 - 2) Thermal protection for each V_O except the V_{DD5V} output.

Specifications

Absolute Maximum Ratings at $T_a = 25^\circ\text{C}$

Parameter	Symbol	Conditions	Ratings	Unit
Supply voltage	$V_{CC\ max}$		24	V
Allowable power dissipation	$P_d\ max$	$T_a \leq 25^\circ\text{C}$, Independent IC	0.82	W
		$T_a \leq 25^\circ\text{C}$, Mounted substrate *	2.01	W
Thermal junction to ambient air thermal resistance	θ_{j-a}		152.4	$^\circ\text{C/W}$
Operating temperature	T_{opr}		-30 to +85	$^\circ\text{C}$
Storage temperature	T_{stg}		-55 to +150	$^\circ\text{C}$

* Mounted substrate : 114.3mm×76.1mm×1.6mm, glass epoxy board.

■ Any and all SANYO Semiconductor Co.,Ltd. products described or contained herein are, with regard to "standard application", intended for the use as general electronics equipment (home appliances, AV equipment, communication device, office equipment, industrial equipment etc.). The products mentioned herein shall not be intended for use for any "special application" (medical equipment whose purpose is to sustain life, aerospace instrument, nuclear control device, burning appliances, transportation machine, traffic signal system, safety equipment etc.) that shall require extremely high level of reliability and can directly threaten human lives in case of failure or malfunction of the product or may cause harm to human bodies, nor shall they grant any guarantee thereof. If you should intend to use our products for applications outside the standard applications of our customer who is considering such use and/or outside the scope of our intended standard applications, please consult with us prior to the intended use. If there is no consultation or inquiry before the intended use, our customer shall be solely responsible for the use.

■ Specifications of any and all SANYO Semiconductor Co.,Ltd. products described or contained herein stipulate the performance, characteristics, and functions of the described products in the independent state, and are not guarantees of the performance, characteristics, and functions of the described products as mounted in the customer's products or equipment. To verify symptoms and states that cannot be evaluated in an independent device, the customer should always evaluate and test devices mounted in the customer's products or equipment.

SANYO Semiconductor Co., Ltd.

TOKYO OFFICE Tokyo Bldg., 1-10, 1 Chome, Ueno, Taito-ku, TOKYO, 110-8534 JAPAN

LA5647H

Recommended Operating Condition at $T_a = 25^\circ\text{C}$

Parameter	Symbol	Conditions	Ratings	Unit
Supply voltage	V_{CC}	$V_{DD}5V$ output, normal operating mode	6 to 18	V
		COM10V output, normal operating mode	10.3 to 18	V
Standby input voltage	$V_{ST\ OFF}$	Output off, control voltage	0 to 1.5	V
	$V_{ST\ ON}$	Output on, control voltage	3.5 to 5	V
$V_{DD}5V$ output current	I_{O1}		0 to 50	mA
COM10V output current	I_{O2}	Within the external transistor ASO		mA
COM8V output current	I_{O3}		0 to 100	mA
TAPE8V output current	I_{O4}		0 to 30	mA
RD8V output current	I_{O5}		0 to 150	mA
FM8V output current	I_{O6}		0 to 100	mA
$A_{CC}5V$ output current	I_{O7}		0 to 100	mA
AMP+B output current	I_{O9}		0 to 100	mA
ANT+B output current	I_{O10}		0 to 100	mA
P1 (ILL) output current	I_{O11}		0 to 10	mA
P2 (LCD) output current	I_{O12}		0 to 10	mA
P3 (CAP MR) output current	I_{O13}		0 to 10	mA
P4 (RSV) output current	I_{O14}		0 to 10	mA

Electrical Characteristics at $T_a = 25^\circ\text{C}$, in the specified test circuit

Parameter	Symbol	Conditions	Ratings			Unit
			min	typ	max	
No load state [$V_{CC} = 13.2V$, each output $I_O = 0A$]						
Current drain 1	I_{Q1}	$V_{STBY} = 0V$		200	250	μA
Current drain 2	I_{Q2}	$V_{STBY} = 5V$		12	40	mA
$V_{DD}5V$ output [$V_{CC} = 13.2V$, $V_{STBY} = 0V$, $I_{O1} = 50mA$]						
Output voltage	V_{O1}		4.75	5	5.25	V
Dropout voltage	V_{DROP1}	$V_{CC} = 4.75V$		1.0	1.4	V
Line regulation	ΔV_{OLN1}	$6.7V \leq V_{CC} \leq 18V$		10	30	mV
Load regulation	ΔV_{OLD}	$0 \leq I_{O1} \leq 50mA$		50	100	mV
Peak output current	I_{OP1}		50			mA
Output shorted current (for reference purposes)	I_{OSC1}			100		mA
Ripple rejection	R_{REJ1}	$f = 120Hz$, $7V \leq V_{CC} \leq 18V$	50	56		dB
Output pin leakage current	I_{OLEAK}	$V_{CC} = 0V$, $V_O = 6V$		0.001	2	μA
Output voltage difference 1	ΔV_{ODEF1}	Between $V_{DD}5V$ and $A_{CC}5V$, ($V_{O1}-V_{O7}$) $I_{O7} = 100mA$	0	0.1	0.285	V
Reset block [$V_{CC} = 13.2V$]						
Reset threshold voltage	V_{RT}	$V_{RST\ OUT} : Lo \rightarrow Hi$	1.21	1.25	1.30	V
Reset threshold hysteresis voltage	V_{RTH}		25	50	80	mV
COM10V output [$V_{CC} = 13.2V$, $V_{STBY} = 5V$, $I_{O2} = 2A$]						
Output voltage	V_{O2}	With an external 2SB921 Transistor	9.5	10	10.5	V
Dropout voltage	V_{DROP2}	$V_{CC} = 9.5V$		0.3	0.6	V
Line regulation	ΔV_{OLN2}	$11.2V \leq V_{CC} \leq 18V$		30	300	mV
Load regulation	ΔV_{OLD2}	$0 \leq I_{O2} \leq 2A$		200	800	mV
Control input current	I_{CONT}				20	mA
Output off voltage	$V_{O2\ OFF}$				0.2	V
Ripple rejection (for reference purposes)	R_{REJ2}	$C_{CN} = 1\mu\text{F}$, $f = 120Hz$, $11.2V \leq V_{CC} \leq 18V$		70		dB

Continued on next page.

LA5647H

Continued from preceding page.

Parameter	Symbol	Conditions	Ratings			Unit
			min	typ	max	
COM8V output [V_{CC} = 13.2V, V_{STBY} = 5V, I_{O3} = 100mA]						
Output voltage	V _{O3}		7.6	8	8.4	V
Dropout voltage	V _{DROP3}	V _{O2} = 7.6V		1.0	1.4	V
Line regulation	ΔV _{OLN3}	9.9V ≤ V _{CC} ≤ 18V		50	75	mV
Load regulation	ΔV _{OLD3}	0 ≤ I _{O3} ≤ 100mA		100	150	mV
Peak output current	I _{OP3}		100			mA
Output shorted current (for reference purposes)	I _{O3SC3}			230		mA
Output off voltage	V _{O3 OFF}				0.2	V
TAPE8V output [V_{CC} = 13.2V, V_{STBY} = 5V, I_{O4} = 30mA]						
Output voltage	V _{O4}		7.6	8	8.4	V
Dropout voltage	V _{DROP4}	V _{O2} = 7.6V		1.0	1.4	V
Line regulation	ΔV _{OLN4}	9.9V ≤ V _{CC} ≤ 18V		50	75	mV
Load regulation	ΔV _{OLD4}	0 ≤ I _{O4} ≤ 30mA		100	150	mV
Peak output current	I _{OP3}		30			mA
Output shorted current (for reference purposes)	I _{O3SC4}			60		mA
Output off voltage	V _{O4 OFF}				0.2	V
RD8V output [V_{CC} = 13.2V, V_{STBY} = 5V, I_{O5} = 150mA]						
Output voltage	V _{O5}		7.6	8	8.4	V
Dropout voltage	V _{DROP5}	V _{O2} = 7.6V		1.0	1.4	V
Line regulation	ΔV _{OLN5}	9.9V ≤ V _{CC} ≤ 18V		50	75	mV
Load regulation	ΔV _{OLD5}	0 ≤ I _{O5} ≤ 150mA		100	150	mV
Peak output current	I _{OP5}		150			mA
Output shorted current (for reference purposes)	I _{O3SC5}			320		mA
Output off voltage	V _{O5 OFF}				0.2	V
FM8V output [V_{CC} = 13.2V, V_{STBY} = 5V, I_{O6} = 100mA]						
Output voltage	V _{O6}		7.6	8	8.4	V
Dropout voltage	V _{DROP6}	V _{O2} = 7.6V		1.0	1.4	V
Line regulation	ΔV _{OLN6}	9.9V ≤ V _{CC} ≤ 18V		50	75	mV
Load regulation	ΔV _{OLD6}	0 ≤ I _{O6} ≤ 100mA		100	150	mV
Peak output current	I _{OP6}		100			mA
Output shorted current (for reference purposes)	I _{O3SC6}			230		mA
Output off voltage	V _{O6 OFF}				0.2	V
Output voltage difference 2	ΔV _{ODEF2}	Between RD8V and FM8V, I _{O5} = 150mA			0.3	V
ACC5V output [V_{CC} = 13.2V, V_{STBY} = 5V, I_{O7} = 100mA]						
Output voltage	V _{O7}		4.65	4.9	5.15	V
Dropout voltage	V _{DROP7}	V _{O2} = 4.65V		1.0	1.4	V
Line regulation	ΔV _{OLN7}	6.6V ≤ V _{CC} ≤ 18V		50	75	mV
Load regulation	ΔV _{OLD7}	0 ≤ I _{O7} ≤ 100mA		100	150	mV
Peak output current	I _{OP7}		100			mA
Output shorted current (for reference purposes)	I _{O3SC7}			220		mA
Output off voltage	V _{O7 OFF}				0.2	V
AMP+B output [V_{CC} = 13.2V, V_{STBY} = 5V, I_{O9} = 100mA]						
Output voltage	V _{O9}		11.7	12.2		V
Dropout voltage	V _{DROP9}			1	1.5	V
Peak output current	I _{OP9}		100			mA
Output shorted current (for reference purposes)	I _{O3SC9}			170		mA
Output off voltage	V _{O9 OFF}				0.2	V

Continued on next page.

LA5647H

Continued from preceding page.

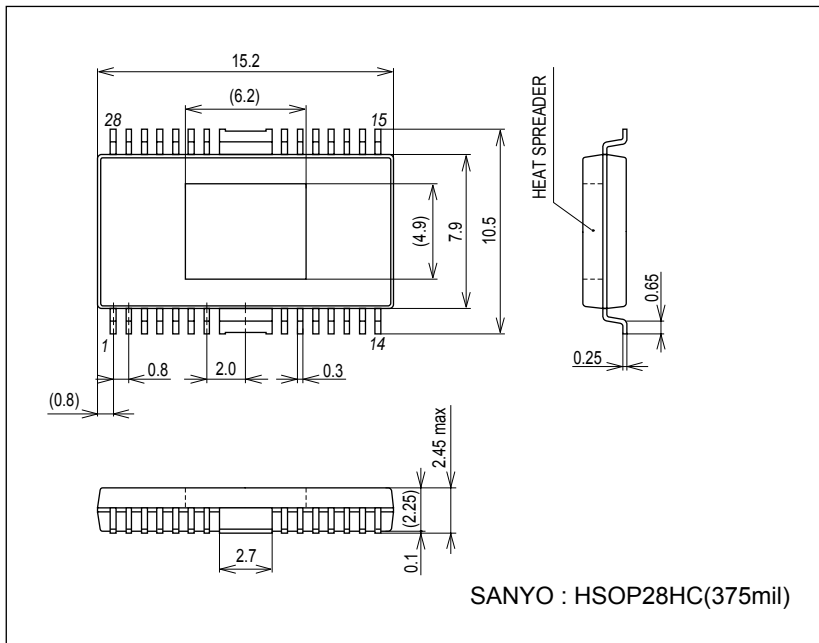
Parameter	Symbol	Conditions	Ratings			Unit
			min	typ	max	
ANT+B output [V_{CC} = 13.2V, V_{STBY} = 5V, I_{O10} = 100mA]						
Output voltage	V _{O10}		11.7	12.2		V
Dropout voltage	V _{DROP10}			1	1.5	V
Peak output current	I _{OP10}		100			mA
Output shorted current (for reference purposes)	I _{OSC10}			170		mA
Output off voltage	V _{O10 OFF}				0.2	V
P1 (ILL) output [V_{CC} = 13.2V, V_{STBY} = 5V, I_{O11} = 10mA]						
Dropout voltage	V _{DROP11}			0.4	0.8	V
Sink output current	I _{O11}		10			mA
P2 (LCD) output [V_{CC} = 13.2V, V_{STBY} = 5V, I_{O12} = 10mA]						
Dropout voltage	V _{DROP12}			0.4	0.8	V
Sink output current	I _{O11}		10			mA
P3 (CAP MR) output [V_{CC} = 13.2V, V_{STBY} = 5V, I_{O13} = 10mA]						
Dropout voltage	V _{DROP13}			0.4	0.8	V
Sink output current	I _{O13}		10			mA
P4 (RSV) output [V_{CC} = 13.2V, V_{STBY} = 5V, I_{O14} = 10mA]						
Dropout voltage	V _{DROP14}			0.4	0.8	V
Sink output current	I _{O14}		10			mA
Overheat protection						
Operating temperature*	TSD	V _{O2} (COM10V) operation V _{O3} to V _{O14} interlocked to V _{O2}	150	175		°C

Note) * for overheat protection indicates the design target value and not the measured value.

Package Dimensions

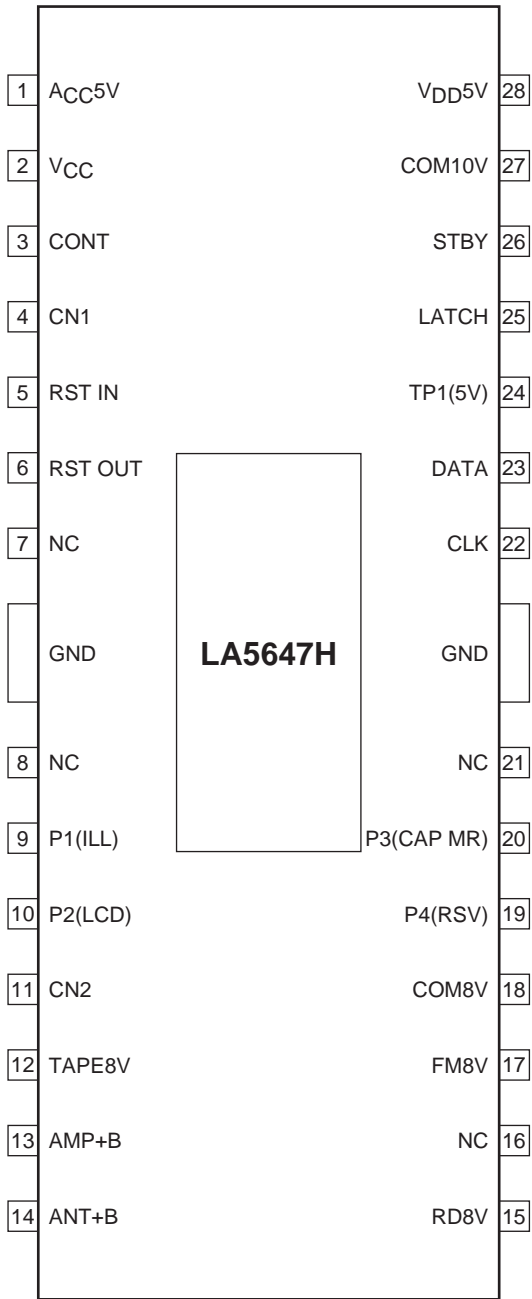
unit : mm (typ)

3234B

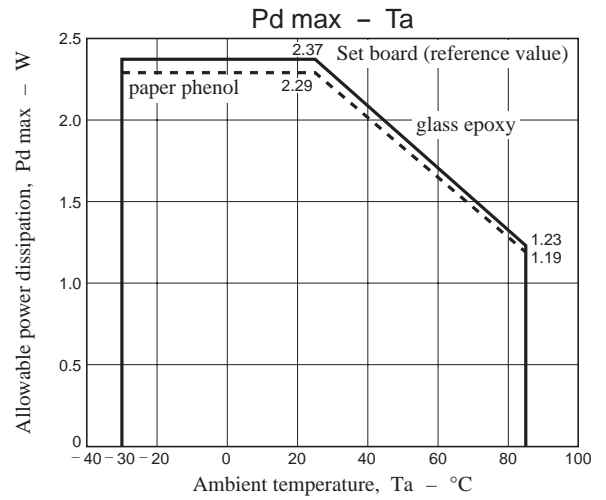
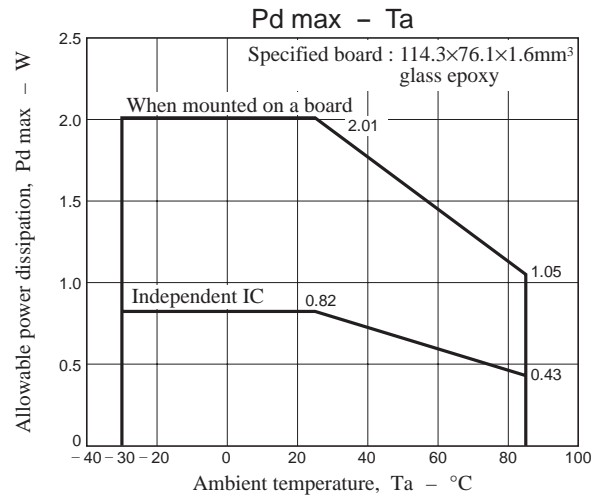


LA5647H

Pin Assignment

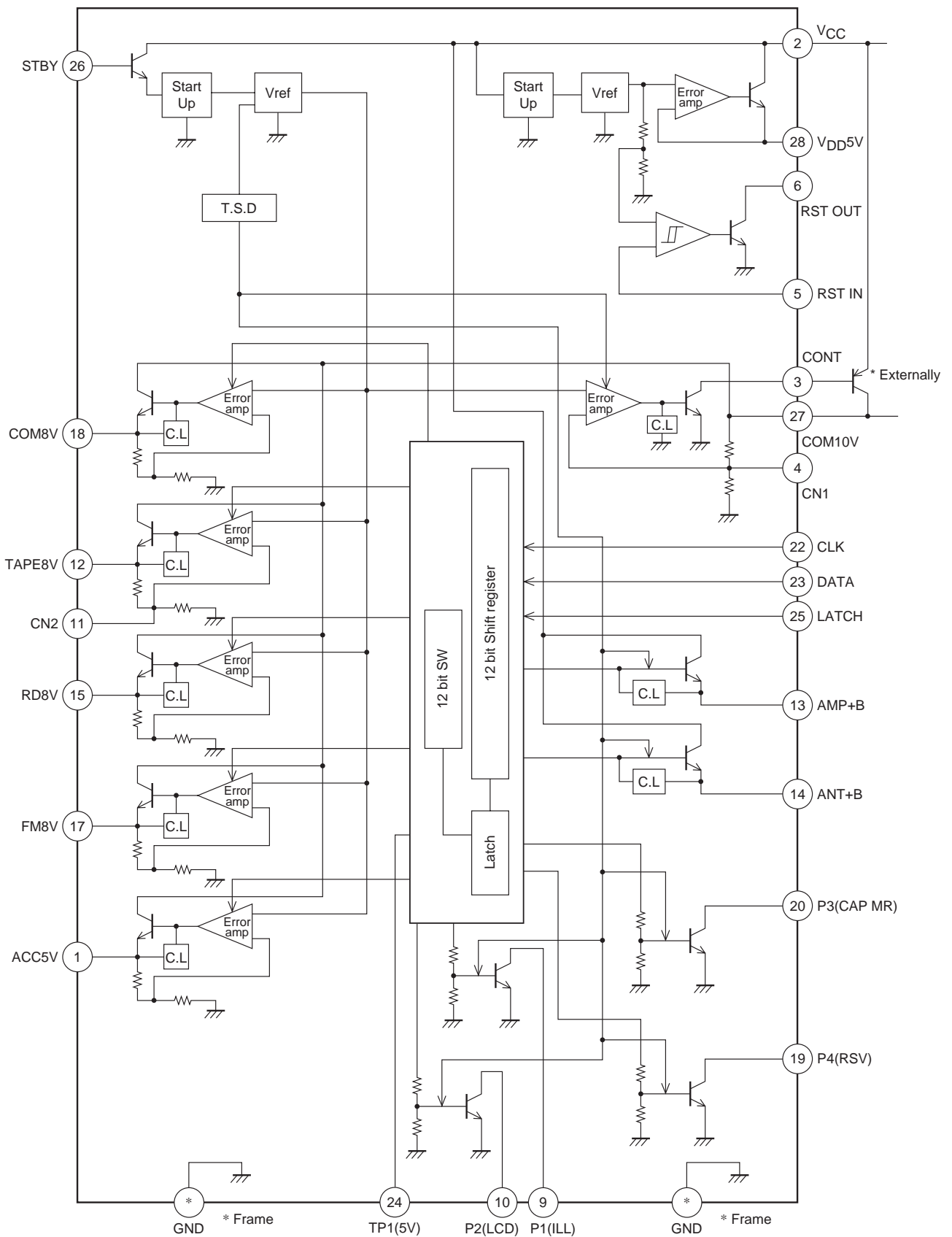


Top view



LA5647H

Block Diagram



* External PNPT_r is 2SB921 or equivalent under application.

LA5647H

Pin Functions

Pin No.	Functions	Description	Equivalent Circuit
1 11 12 15 17 18	4.9V 100mA (ACC 5V) CN2 8V 30mA (TAPE 8V) 8V 150mA (RD 8V) 8V 100mA (FM 8V) 8V 100mA (COM 8V)	<ul style="list-style-type: none"> Stabilized 5V system and 8V system power supply outputs The on/off state of CD5V is controlled by STBY and other systems by the serial data, respectively. <p>Application examples</p> <p>Pin 1 : ACC5V, digital 5V</p> <p>Pin 11 : Insert a capacitor of about 10μF between this pin and pin 12 to improve the TAPE8V ripple rejection. This pin controls the pin 12 output voltage. Set this pin to about 7V by inserting a resistor between this pin and ground if impulse noise from the Dolby IC occurs in cranking mode.</p> <p>Pin 12 : TAPE8V</p> <p>Pin 15 : 9 pro V_{CC} as 9 RD 8V</p> <p>Pin 17 : FM8V power supply for use with a band switch</p> <p>Pin 18 : COM8V power supply for an electronic volume/tone control circuit.</p> <p>* : Note that total of Pd must not exceed the rating of the IC.</p>	<p>Only applies to the pin 12 output block</p>
2 3 4 27	V _{CC} CONT CN1 COM10V	<p>Pin 2 : Power supply</p> <p>* : This pin must be at the same voltage level as the emitter of the external transistor.</p> <p>Pin 3 : Bias for the external Transistor. The maximum sink current is 20mA.</p> <p>Pin 4 : Ripple rejection for each of the power supply systems. To increase the rejection capacity, insert a 1μF capacitor between this pin and pin 27. This pin controls the COM10V output voltage. The voltage is set to 10V internally.</p> <p>Pin 27 : The 10V power supply used for CD power, tuner VT, cassette loading, LCD, and ILL illumination.</p> <ul style="list-style-type: none"> Used as the power supply for internal 8V and 5V (except V_{DD}5V) systems. The output voltage can be controlled with the CN1 pin. The ripple rejection can be improved at the CN1 pin. 	
5	RST IN	<ul style="list-style-type: none"> Voltage detection input: pin 6 is the corresponding output. Internal reference voltage : 1.25V, typical. Used for +B detection, Acc detection, and other purposes by resistor voltage division of the +B level. 	

Continued on next page.

LA5647H

Continued from preceding page.

Pin No.	Functions	Description	Equivalent Circuit
6	RST OUT	<ul style="list-style-type: none"> Reset signal output to microcontroller and other circuits. 	
7 8 16 21	NC NC NC NC		
9 10 19 20	P1 (ILL) P2 (LCD) P4 (CAP MR) P3 (RSV)	<ul style="list-style-type: none"> The on/off state of these systems is controlled by the serial data. Pin 9 : ILL illumination on/off control Pin 10 : LCD illumination on/off control Pins 19 and 20 : Used for other applications. 	
13 14	V _{CC} 100mA (AMP+B) V _{CC} 100mA (ANT+B)	<ul style="list-style-type: none"> V_{CC}-1V unstabilized outputs that can provide 100mA. The on/off state of these outputs can be controlled with serial data. Used with the ANT+B and AMP+B systems. 	
22 23 25	CLK DATA LATCH	<ul style="list-style-type: none"> The serial data received over this serial interface controls the outputs other than COM10V, CD5V, and V_{DD}5V. It also controls the on/off state of P1 to P4. 	
24	TP1 (5V)	<ul style="list-style-type: none"> Monitors the power supply used for the internal logic circuits (the CLK, DATA, and LATCH inputs and on/off control). 	

Continued on next page.

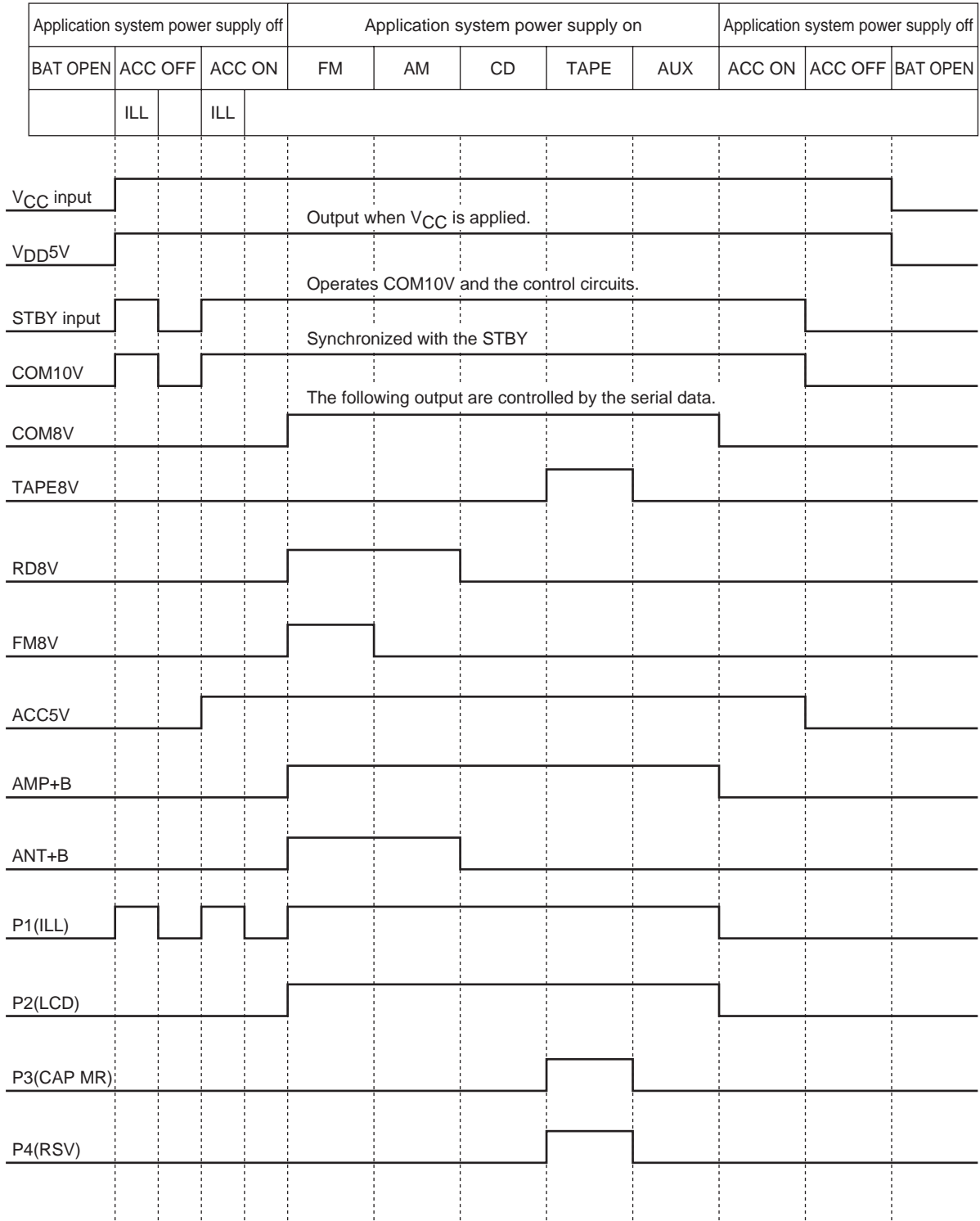
LA5647H

Continued from preceding page.

Pin No.	Functions	Description	Equivalent Circuit
26	STBY	<ul style="list-style-type: none"> Controls the running/stopped state of this IC. When low, only $V_{DD}5V$ operates. All other circuits are stopped. When high, only COM10V and $V_{DD}5V$ operate unconditionally. All other outputs are controlled by the serial data. 	
28	$V_{DD} 5V$	<ul style="list-style-type: none"> When +B is applied to the $V_{CC}2$ pin, 5V is output. Used as the power supply system for systems, such as the microcontroller, that require memory backup. $I_Q = 150$ to $180\mu A$ The current flowing into pin 28 when V_{CC} is off, is minimal. 	
Frame	GND	Connected to the IC substrate (lowest potential)	

LA5647H

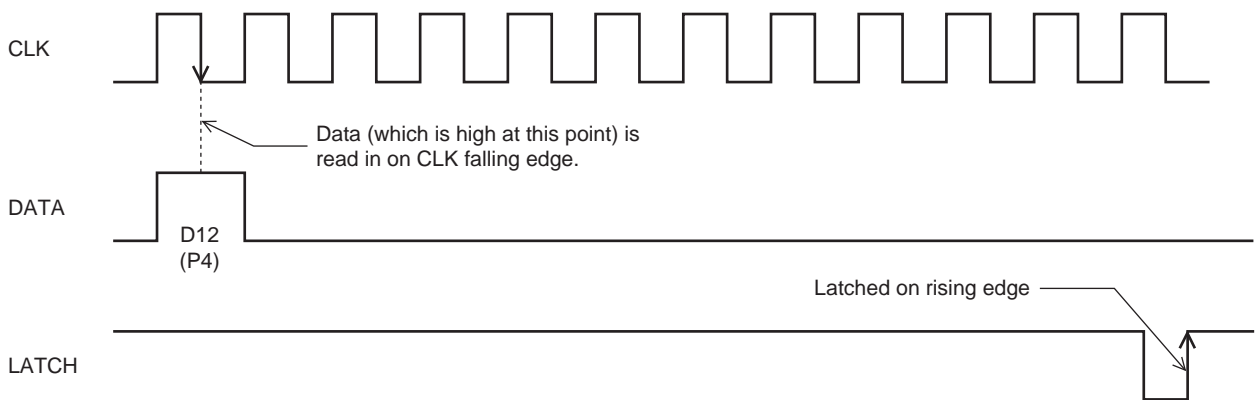
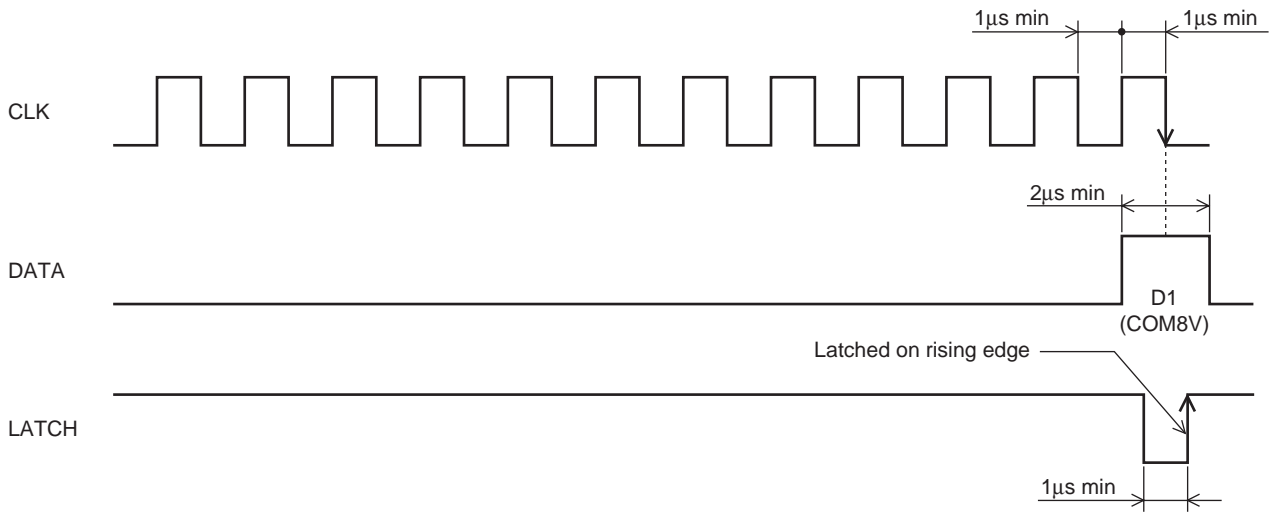
Output Timing Chart



LA5647H

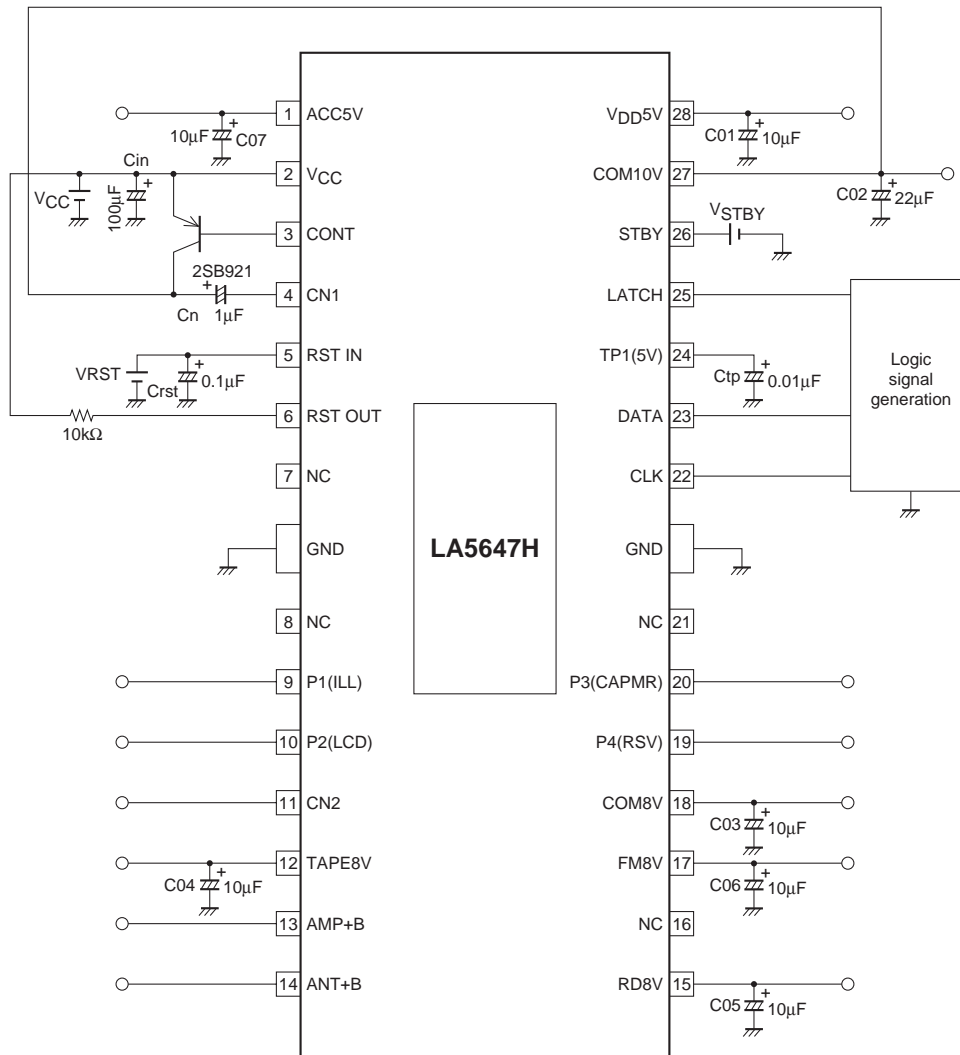
Control Timing and Data Formats

Input the stipulated data to the CLK, DATA, and LATCH pins to control the outputs other than the V_{DD5V} and COM10V.



DATA	D1	D2	D3	D4	D5	D6	D7	D8	D9	D10	D11	D12
Output	COM8V	TAPE8V	RD8V	FM8V	ACC5V	-	AMP+B	ANT+B	P1 (ILL)	P2 (LCD)	P3 (CAPMR)	P4 (RSV)

Specified Test Circuit



- SANYO Semiconductor Co.,Ltd. assumes no responsibility for equipment failures that result from using products at values that exceed, even momentarily, rated values (such as maximum ratings, operating condition ranges, or other parameters) listed in products specifications of any and all SANYO Semiconductor Co.,Ltd. products described or contained herein.
- SANYO Semiconductor Co.,Ltd. strives to supply high-quality high-reliability products, however, any and all semiconductor products fail or malfunction with some probability. It is possible that these probabilistic failures or malfunction could give rise to accidents or events that could endanger human lives, trouble that could give rise to smoke or fire, or accidents that could cause damage to other property. When designing equipment, adopt safety measures so that these kinds of accidents or events cannot occur. Such measures include but are not limited to protective circuits and error prevention circuits for safe design, redundant design, and structural design.
- In the event that any or all SANYO Semiconductor Co.,Ltd. products described or contained herein are controlled under any of applicable local export control laws and regulations, such products may require the export license from the authorities concerned in accordance with the above law.
- No part of this publication may be reproduced or transmitted in any form or by any means, electronic or mechanical, including photocopying and recording, or any information storage or retrieval system, or otherwise, without the prior written consent of SANYO Semiconductor Co.,Ltd.
- Any and all information described or contained herein are subject to change without notice due to product/technology improvement, etc. When designing equipment, refer to the "Delivery Specification" for the SANYO Semiconductor Co.,Ltd. product that you intend to use.
- Information (including circuit diagrams and circuit parameters) herein is for example only; it is not guaranteed for volume production.
- Upon using the technical information or products described herein, neither warranty nor license shall be granted with regard to intellectual property rights or any other rights of SANYO Semiconductor Co.,Ltd. or any third party. SANYO Semiconductor Co.,Ltd. shall not be liable for any claim or suits with regard to a third party's intellectual property rights which has resulted from the use of the technical information and products mentioned above.

This catalog provides information as of July, 2007. Specifications and information herein are subject to change without notice.