

INTEGRATED CONNECTOR MODULES

10Base-T Extended Temp belMag™

BM01828

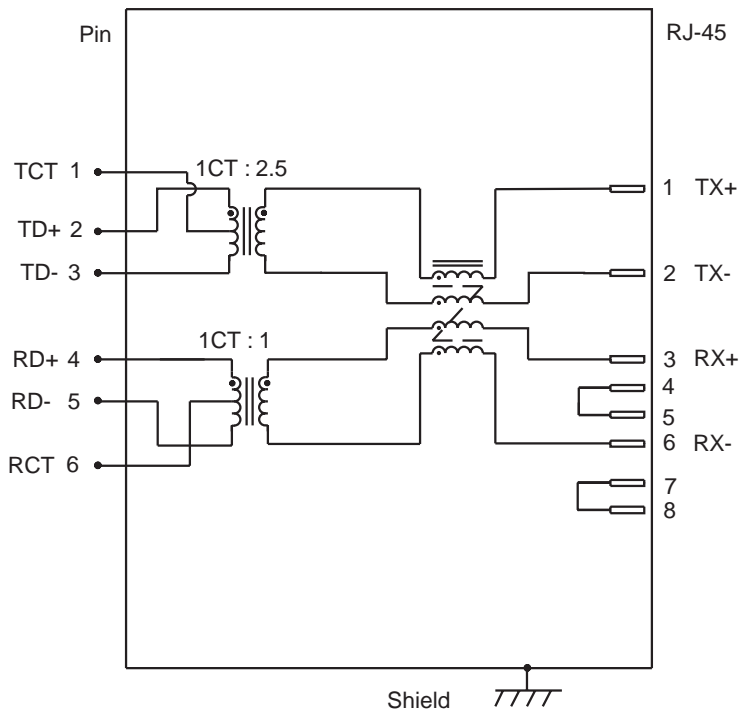
- Shielded connector with integrated 10Base-T magnetics
- Compatible with a variety of 10Base-T transceiver ICs
- Operating temperature -40° to +85° C
- Storage temperature -40° to +85° C
- Reduced pin count for improved crosstalk and optimum PCB trace routing
- Complies with IEEE 802.3 standards and all 10Base-T Ethernet standards
- Integrated design conserves valuable board space
- Minimum interwinding breakdown voltage of 1500 Vrms
- Adaptable, modular design provides higher reliability

ELECTRICAL SPECIFICATIONS AT 25° C

Part Number	Insertion Loss dB max	Return Loss dB min	Common to Common Mode Rejection dB min	Crosstalk dB min	OCL μH min	
	1MHz to 10MHz	1MHz to 10MHz	10MHz to 30MHz	100kHz to 100MHz	TX	RX
0811-1X1T-27	-1.0	-18	-40	-40	45	230

SCHEMATIC

0811-1X1T-27



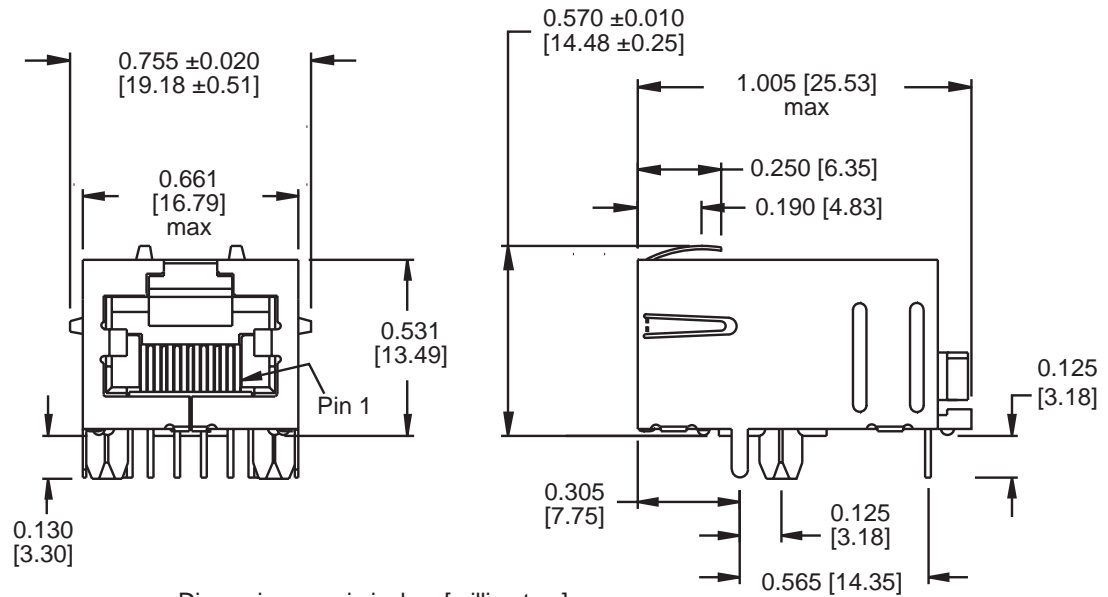
Available Options

- Various transformer turns ratios

BM01828

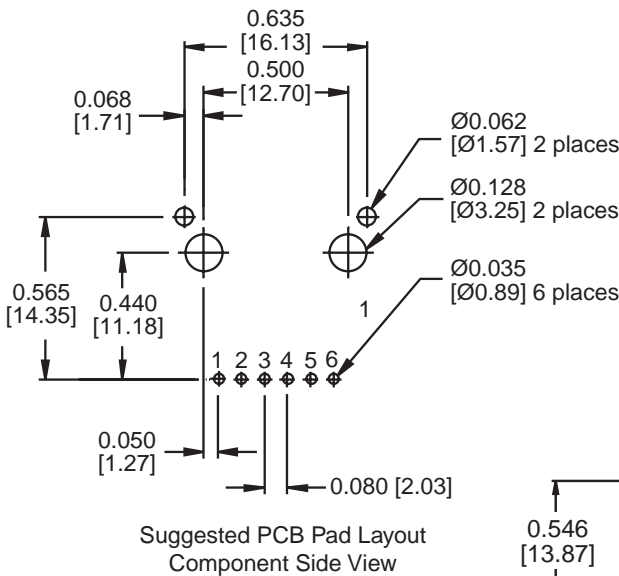
MECHANICAL

0811-1X1T-27



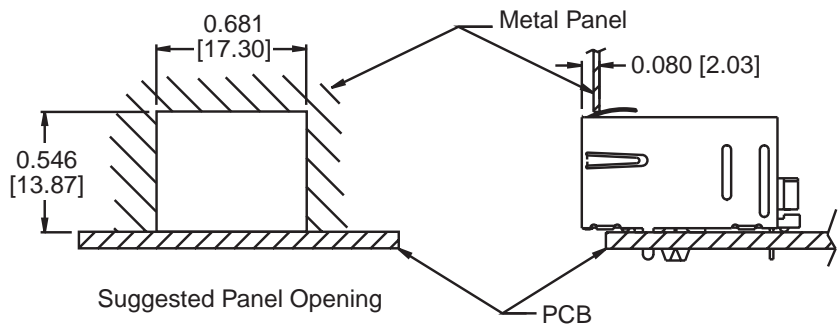
Dimensions are in inches [millimeters].
Standard dimension tolerance is ± 0.010 [0.25] unless otherwise noted.

PAD LAYOUT



Notes

Plastic Housing	Thermoplastic, flammability rating UL 94V-0
Contacts	50 micro-inch hard gold plating
Pins	Tin-coated copper wire, DIA 0.018" [0.46]
Solderability	Per MIL Std. 202, Method 208
Metal Shield	Tin lead plated copper alloy



©2001 Bel Fuse Inc. Specifications subject to change without notice. 08.01

CORPORATE

Bel Fuse Inc.
206 Van Vorst Street
Jersey City, NJ 07302
Tel 201-432-0463
Fax 201-432-9542
www.belfuse.com

FAR EAST

Bel Fuse Ltd.
8F / 8 Luk Hop Street
San Po Kong
Kowloon, Hong Kong
Tel 852-2328-5515
Fax 852-2352-3706
www.belfuse.com

EUROPE

Bel Fuse Europe Ltd.
Preston Technology Management Centre
Marsh Lane, Suite G7, Preston
Lancashire, PR1 8UD, U.K.
Tel 44-1772-556601
Fax 44-1772-888366
www.belfuse.com