

ADSL Magnetics

Lucent WildWire 5V ADSL CPE

TM00322

- Designed to meet UL-1459 safety requirements
- Operating temperature range: -40° C to +85° C
- Meets IEC 695, 2-2 flammability requirements
- PWB Process Capability: standard printed wiring board assembly techniques, total-immersion cleaning
- Reliability testing: shock, vibration, temperature cycling, temperature - humidity - bias

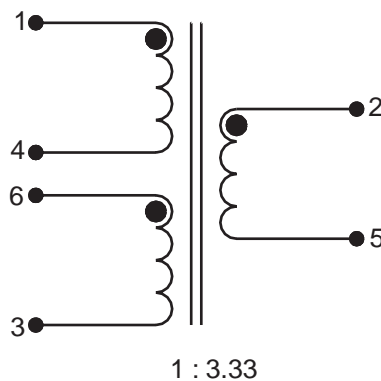
ELECTRICAL SPECIFICATIONS AT 25° C

Part Number	Package	Turns Ratio ¹ ±2%	Inductance ² mH min	DCR Ω max			Leakage Inductance ³ μH max	Direct Capacitance ⁶ pF max	Dielectric Rating Vac
		(1-3) : (2-5) ⁴	(2-5)	(2-5)	(1-4)	(6-3)	(2-5) ⁵	(2-5) : (1-3)	between (1-3)
S560-6600-96	SMD	1 : 3.33	18.5	1.5 - 2	0.2 - 0.3	0.24 - 0.34	10	30	1500
0560-6600-76	THT	1 : 3.33	18.5	1.5 - 2	0.2 - 0.3	0.24 - 0.34	10	30	1500

1. measured at 20 kHz, 1 Vrms
2. measured at 10 kHz, 0.1 Vrms
3. measured at 100 kHz, 0.1 Vrms
4. connect terminals 4 to 6
5. connect terminals 4 to 6, short 1,3, 4, & 6
6. measure at 1 kHz, 1 Vrms

SCHEMATIC

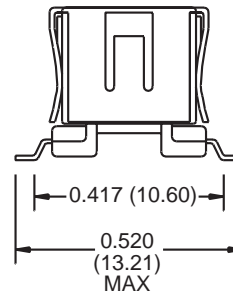
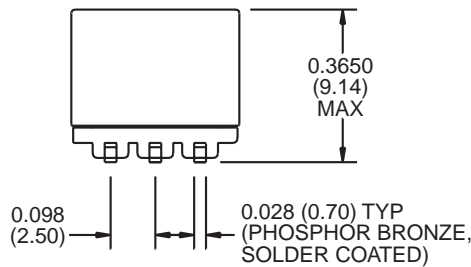
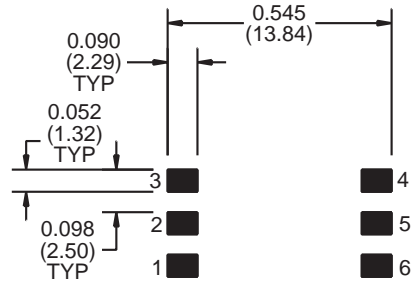
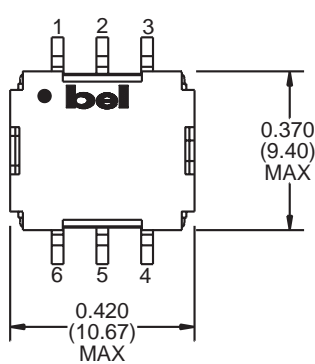
S560-6600-96
0560-6600-76



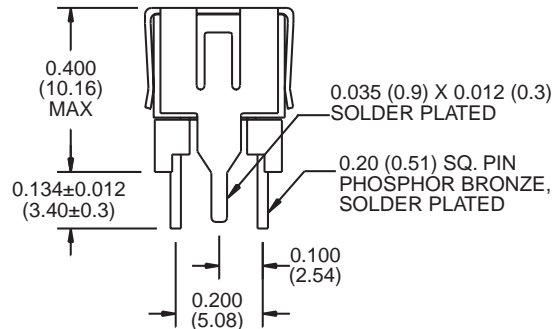
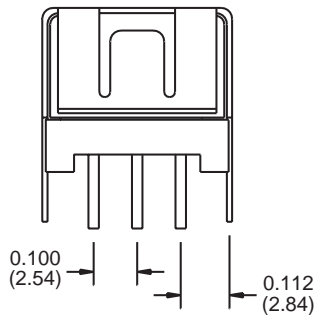
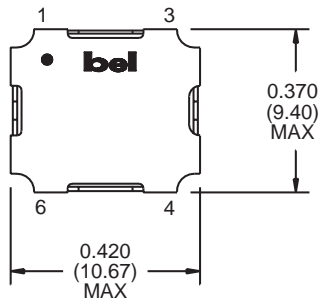
TM00322

MECHANICAL

S560-6600-96



0560-6600-76



©2000 Bel Fuse Inc. Specifications subject to change without notice. 07.00

CORPORATE

Bel Fuse Inc.
198 Van Vorst Street
Jersey City, NJ 07302
Tel 201-432-0463
Fax 201-432-9542
www.belfuse.com

FAR EAST

Bel Fuse Ltd.
8F / 8 Luk Hop Street
San Po Kong
Kowloon, Hong Kong
Tel 852-2328-5515
Fax 852-2352-3706
www.belfuse.com

EUROPE

Bel Fuse Europe Ltd.
Preston Technology Management Centre
Marsh Lane, Suite G7, Preston
Lancashire, PR1 8UD, U.K.
Tel 44-1772-556601
Fax 44-1772-888366
www.belfuse.com