

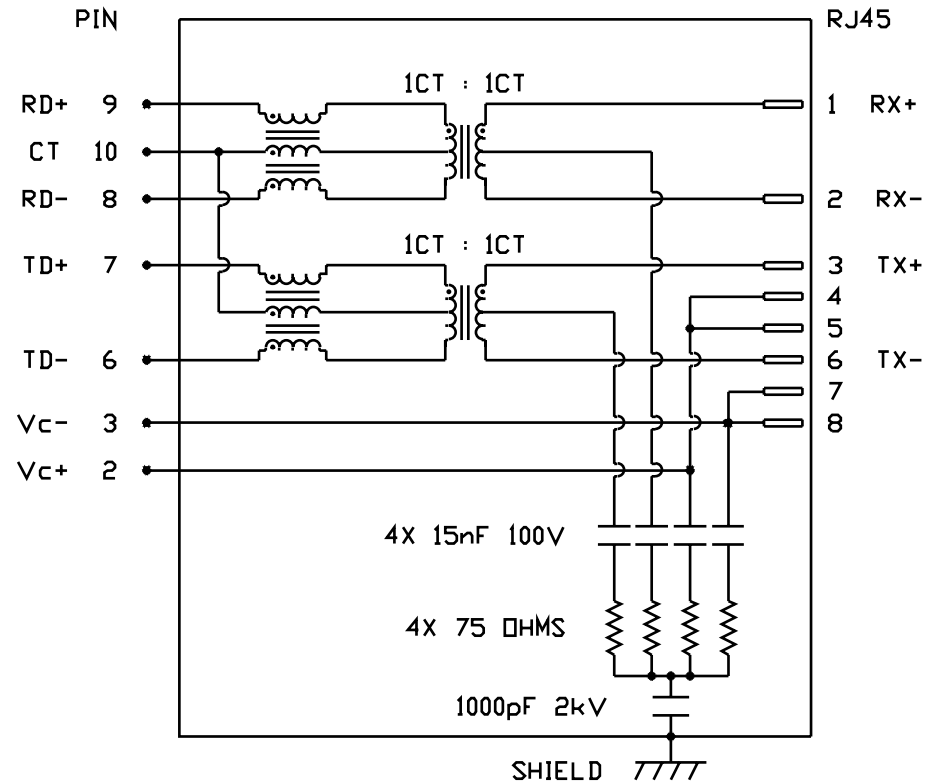
INTEGRATED CONNECTOR MODULES

0833-2X6R-59 Power over Ethernet MagJack® 2 x 6

ELECTRICAL CHARACTERISTICS @ 25°C

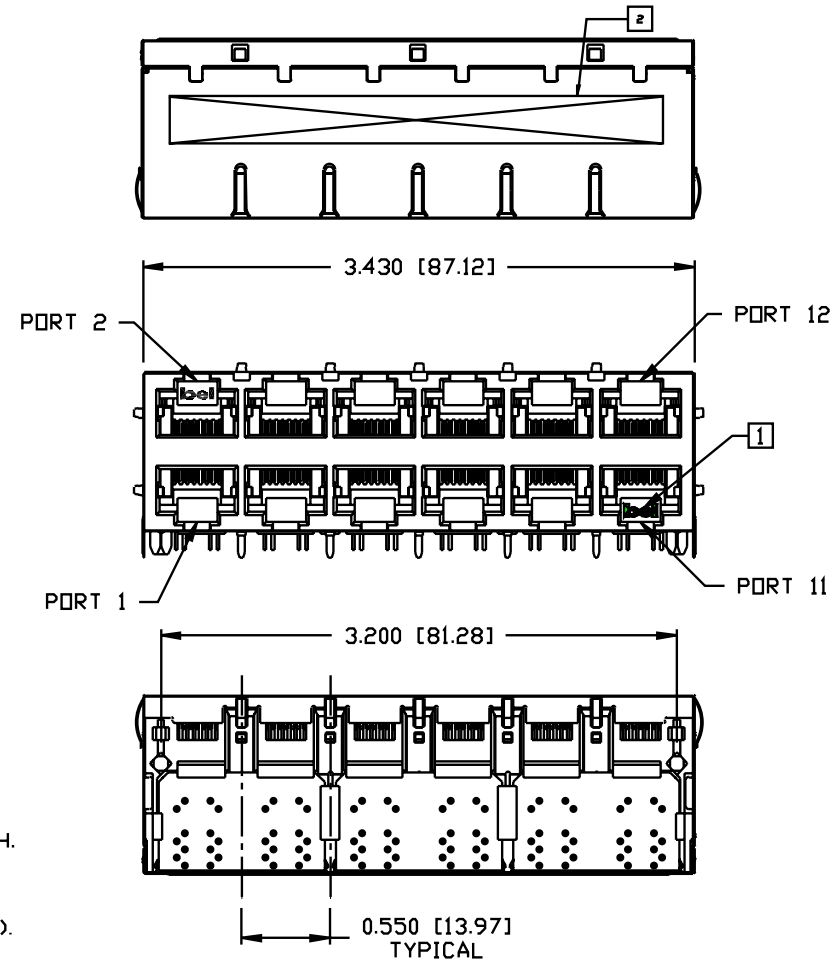
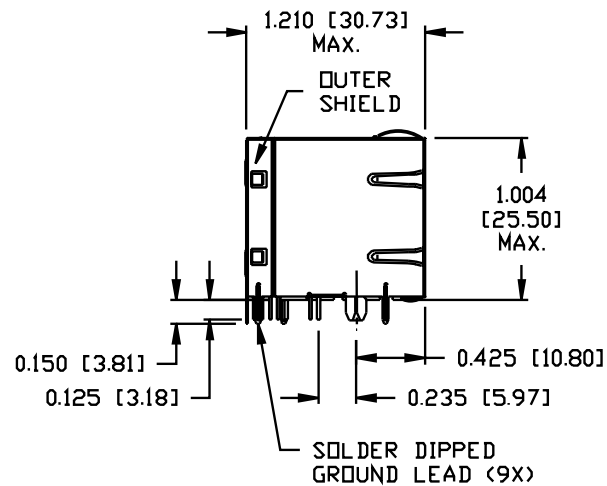
<p> TURNS RATIO OCL @ 0.1V, 100KHz 8mA DC BIAS INSERTION LOSS 100KHz TO 100MHz RETURN LOSS (MIN.) 2MHz-30MHz 60MHz-80MHz LEAKAGE INDUCTANCE PRIMARY W/ SECONDARY SHORTED D.C. RESISTANCE (9-8)=(7-6) (RJ1-RJ2)=(RJ3-RJ6) INTERWINDING CAPACITANCE PER CHANNEL (PRI. to SEC.) XTALK 100KHz TO 100MHz HIPOT (Isolation Voltage): 100% OF PRODUCT TESTED IN PRODUCTION BALANCED DC LINE CURRENT </p>	<p> 1CT : 1CT ±2% 350µ H MIN. -1.5 dB MAX. 16 dB MIN. 10 dB MIN. 0.25µH MAX. @ 1MHz 1.40 Ω MAX. 1.0 Ω MAX. 40 pF MAX. -30 dB MIN. 2250 VDC 350 mA MAX. @ 57 VDC CONTINUOUS 500 mA MAX. @ 57 VDC FOR 200 MILLISECONDS </p>
---	---

SCHEMATIC



INTEGRATED CONNECTOR MODULES

0833-2X6R-59 Power over Ethernet MagJack® 2 x 6



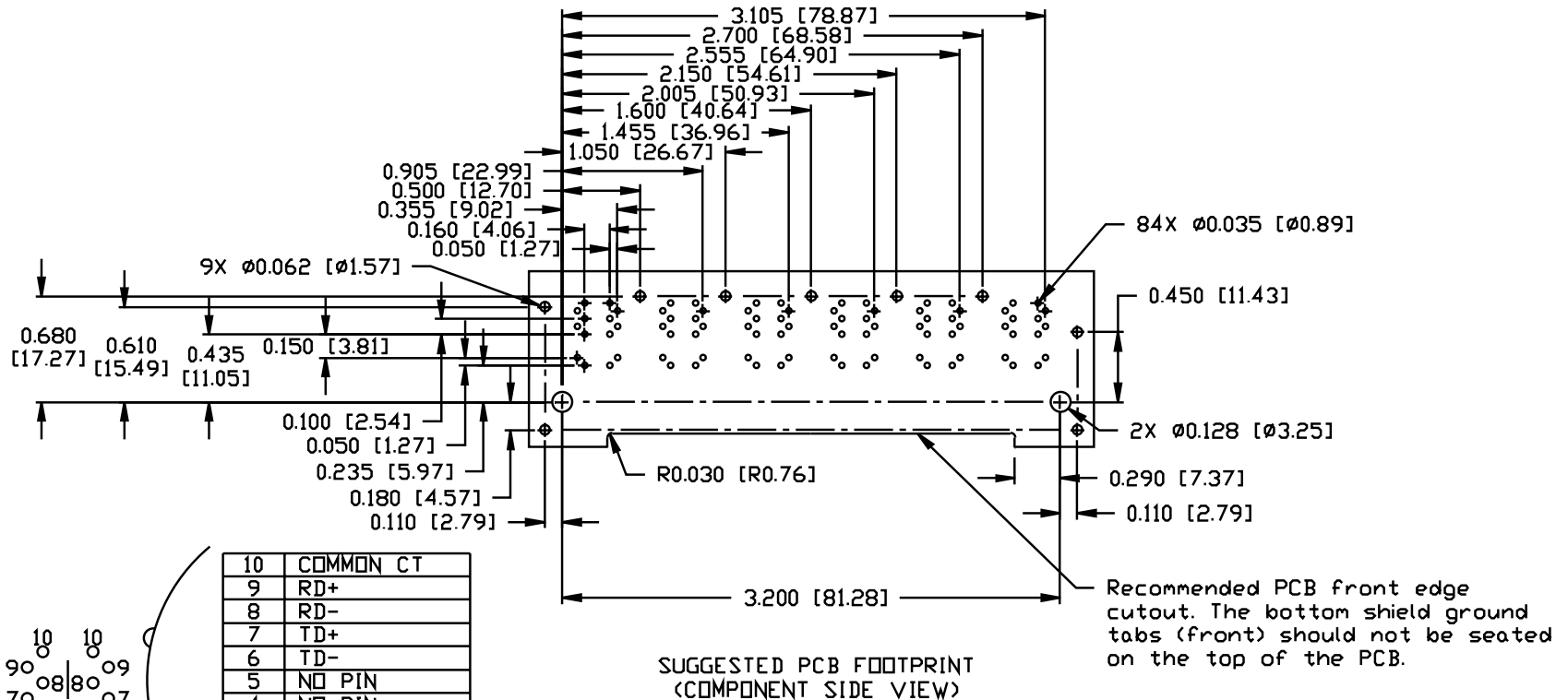
NOTES:

- PLASTIC HOUSING: THERMOPLASTIC PA 4/6
 FLAMMABILITY RATING UL 94V-0.
- CONTACT PLATING: 50 MICRO-INCH HARD GOLD PLATING.
- OUTPUT PINS: TIN-COATED COPPER WIRE, DIA 0.018 INCH.
- SOLDERABILITY: PER MIL STD. 202, METHOD 208.
- METAL SHIELD: NICKEL PLATED COPPER ALLOY.
 (ALL GROUND LEADS ARE SOLDER PIPPED).

- 1 JACK CAVITY CONFORMS TO FCC RULES AND REGULATIONS, PART 68 SUBPART F.
2. MARK PART WITH MFG LOGO, MFG NAME, PART NUMBER, AND DATE CODE

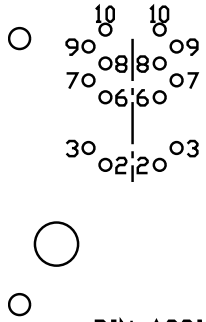
INTEGRATED CONNECTOR MODULES

0833-2X6R-59 Power over Ethernet MagJack® 2 x 6



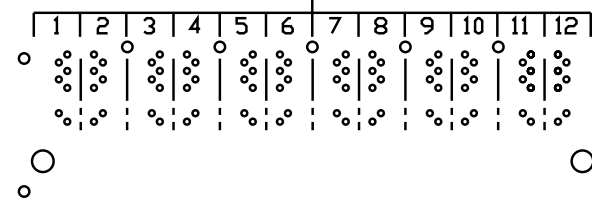
10	COMMON CT
9	RD+
8	RD-
7	TD+
6	TD-
5	NO PIN
4	NO PIN
3	Vc-
2	Vc+
1	NO PIN

UNUSED PIN LOCATIONS MUST BE REMOVED TO ENSURE 2KV ISOLATION.



PIN ASSIGNMENT INFORMATION (COMPONENT SIDE VIEW)

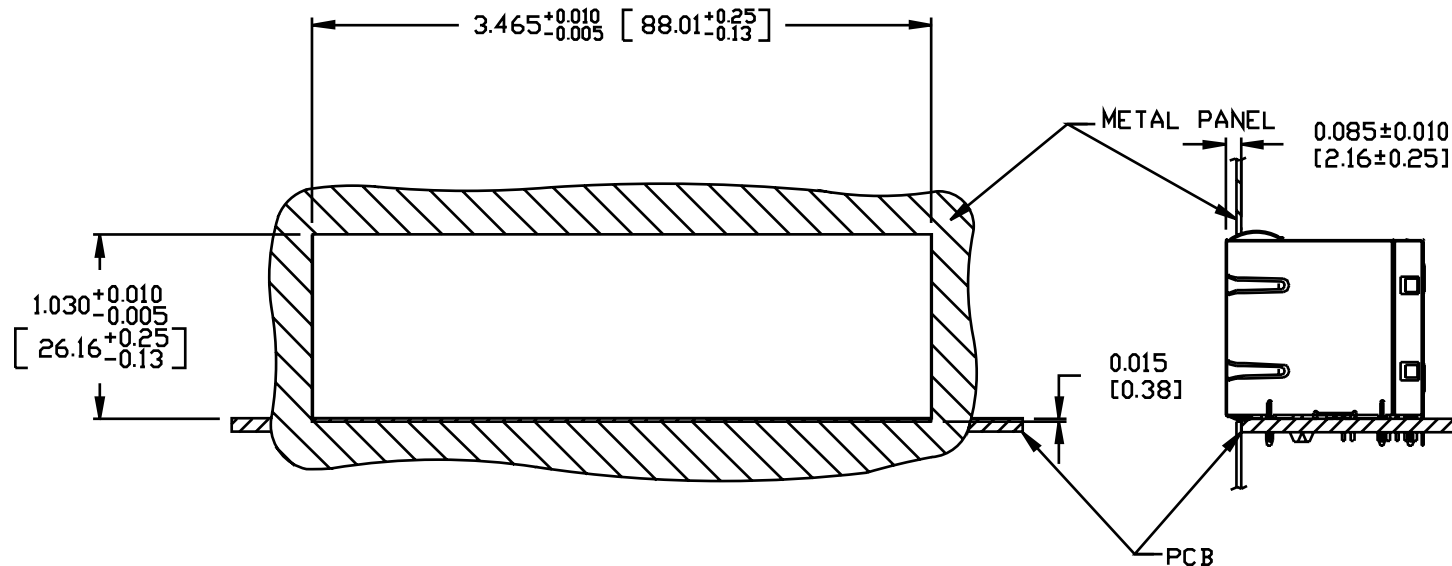
PORT ASSIGNMENT (COMPONENT SIDE VIEW)



INTEGRATED CONNECTOR MODULES

0833-2X6R-59 Power over Ethernet MagJack® 2 x 6

SUGGESTED PANEL OPENING



NOTE:

THE DISTANCE OF PANEL INSIDE SURFACE RELATIVE TO FRONT SURFACE OF PART IS ONLY A SUGGESTION. IN CASE THIS DISTANCE IS DIFFERENT, THE REQUIRED PANEL OPENING DIMENSIONS CHANGE ACCORDINGLY.

PACKING INFORMATION

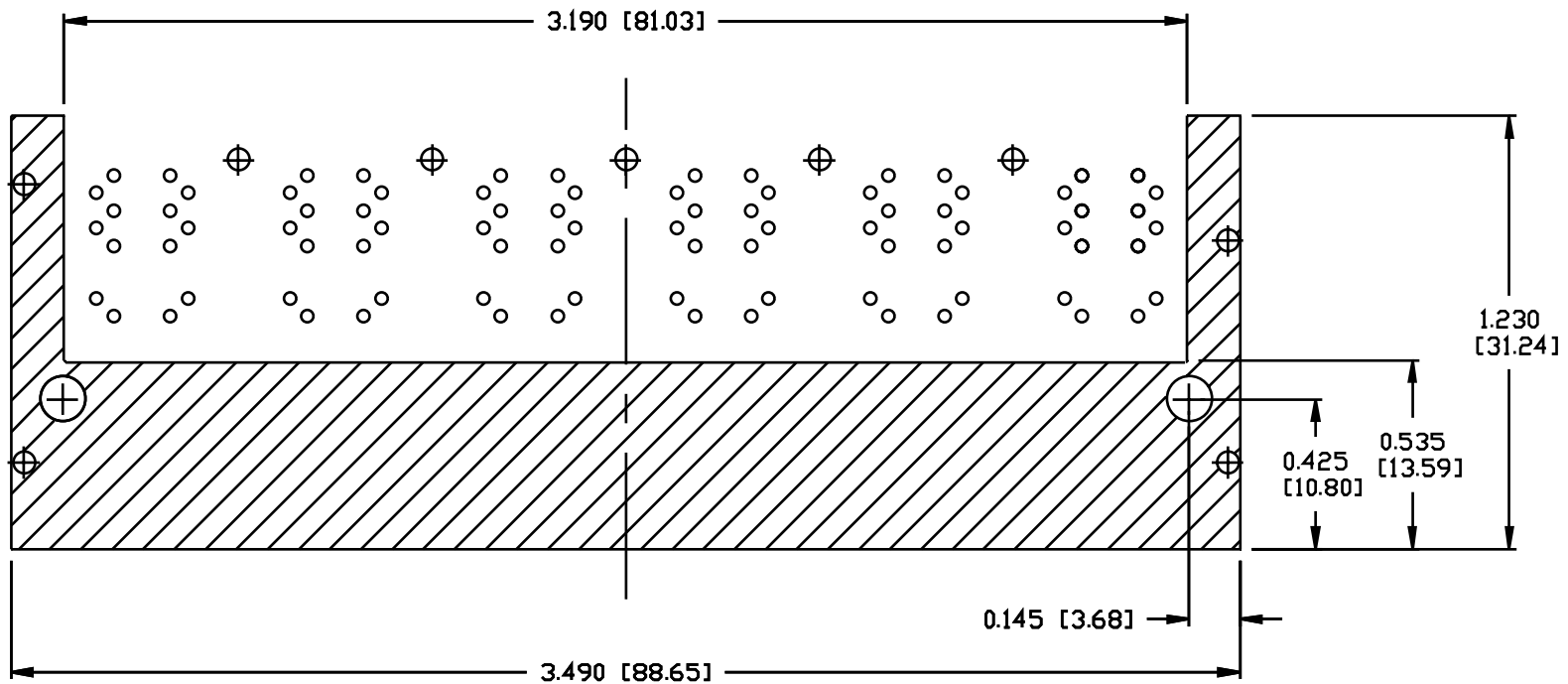
PACKING TRAY : 0200-0148-40 (TOP)
0200-0148-39 (BOTTOM)

PACKING QUANTITY : 15 PCS FINISHED GOODS PER TRAY
7 TRAY (105 PCS FINISHED GOODS) PER CARTON BOX

NOTE : CARDBOARDS ARE PLACED BETWEEN LAYERS OF PACKING TRAY INSIDE CARTON BOX
(INCLUDE THE UPPERMOST AND LOWERMOST TRAY)

INTEGRATED CONNECTOR MODULES

0833-2X6R-59 Power over Ethernet MagJack® 2 x 6



NOTES:
 THE SHADED AREA OF BOTTOM SIDE OF PART
 MAY BE COVERED BY METAL SHIELD.