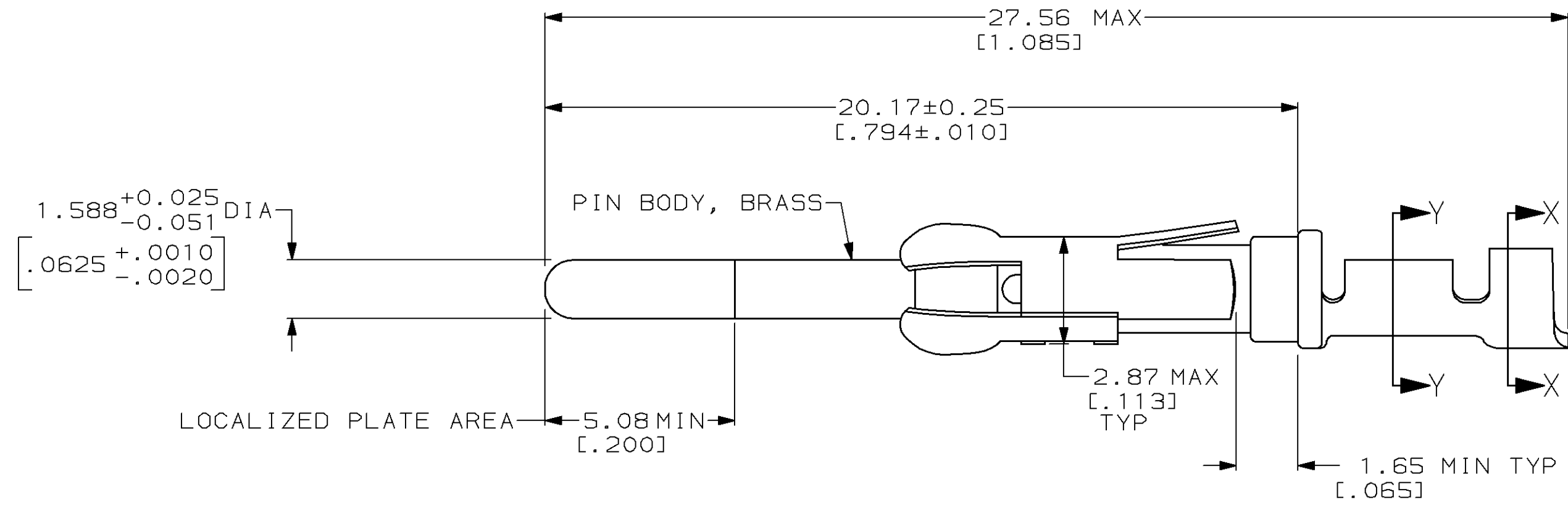
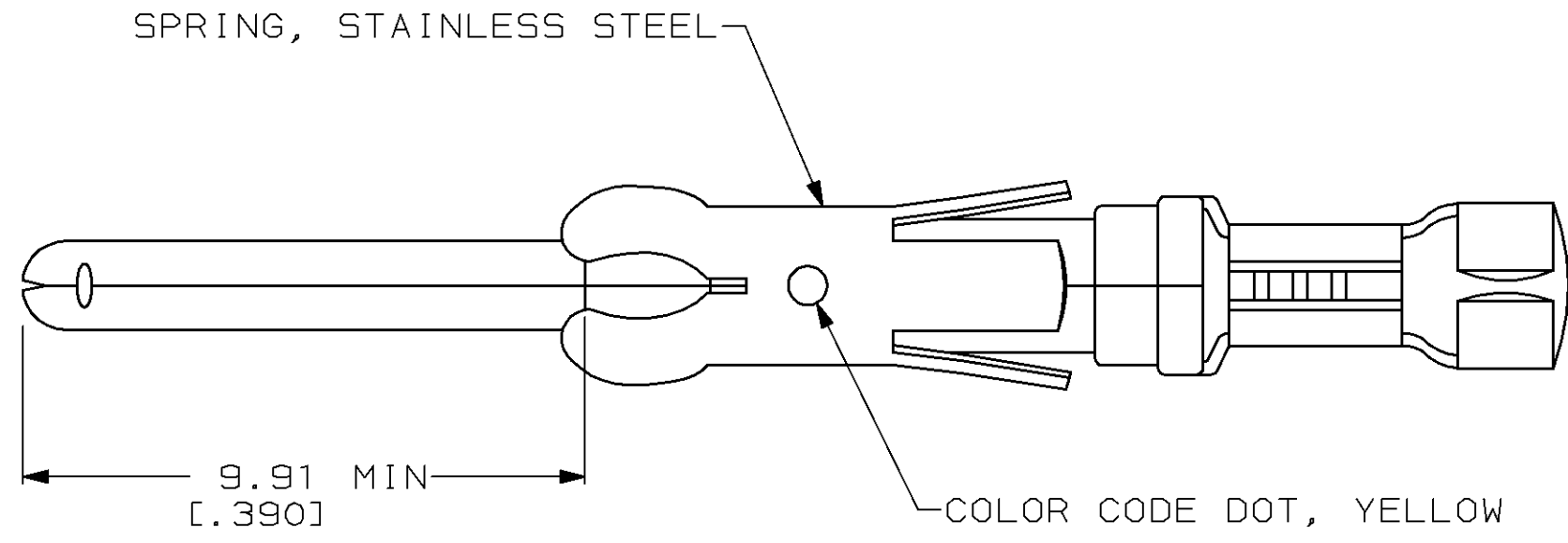
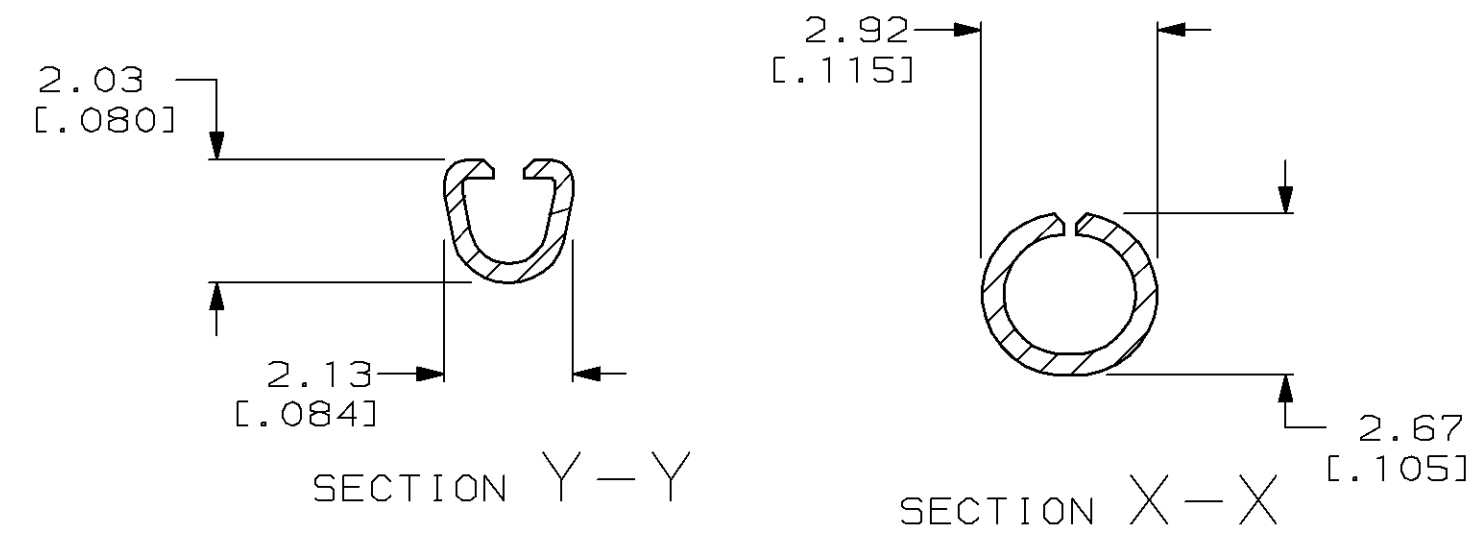


THIS DRAWING IS UNPUBLISHED. RELEASED FOR PUBLICATION, 19 .
 © COPYRIGHT 19 BY AMP INCORPORATED. ALL INTERNATIONAL RIGHTS RESERVED.

LOC	DIST	P	F	ZONE	LTR	REVISIONS	DATE	APPD
FT	47				H	REV & REDRAWN PER ECN BD3865	9-27-90	-
					J	ADDED -2 PER NPR 4692	04/15/93	GS
					K	REV PER EC 0020-745-94	07/06/94	GS
					L	REV PER EC 0320-133-97	7-23-97	PB



1. WIRE RANGE 26-20 AWG.



SMALL PACK	66182-2
STANDARD	66182-1
PACKAGING TYPE	PART NO

DO NOT SCALE PRINT. UNLESS SPECIFIED DIMENSIONS IN mm [INCHES] TOLERANCES ON : 2 PLC DEC ± 0.13 [.005] 3 PLC DEC ± - ANGLES ± -	DR 9-27-90 H MOLL	AMP Incorporated Harrisburg, PA 17105-3608
	CHK 12-15-90 J. McCLINTON	
MATERIAL SEE CALL OUT	APPD 12-10-90 A. BOULLIANNE	NAME
	APPD 12-10-90 A. BOULLIANNE	PIN ASSEMBLY, LOOSE PIECE, TYPE III+
FINISH PIN BODY, 0.76µm [.000030] MIN GOLD IN LOCALIZE PLATE AREA, 0.25µm [.000010] MIN GOLD ON THE REMAINDER OVER 1.27µm [.000050] MIN NICKEL	APPLICATION SPEC	SIZE
	WEIGHT -	SCALE 8:1
		CAGE CODE 00779
		DRAWING NO 66182
		SHEET 1 OF 1