

HIGH FREQUENCY MAGNETICS

T1/E1 Mini-Octal Transformer Module

TM01118

- Optimized for line interface devices listed on next page
- Eight transformers in a single surface mount package
- Miniature octal 32-pin platform provides 33% area reduction compared to standard octal package
- Meets ITU-T G.703 return loss from -40° to +85° C
- UL 1950 approved: file number E150991
- Operating temperature range -40° to +85°C
- Meets IEC 695, 2-2 flammability requirements
- PWB Process Capability: standard printed wiring board assembly techniques, total-immersion cleaning
- Reliability testing: Shock, vibration, temperature cycling, temperature - humidity - bias
- Interwinding breakdown voltage: 1500 Vrms min

ELECTRICAL SPECIFICATIONS at 25° C

Part Number	Turns Ratio ±2%	Inductance ¹ mH min	Leakage Inductance ¹ µH max	DCR Ω max		Interwinding Capacitance pF max	Return Loss at 102 kHz ²			
							25° C dB typ		-40 to +85° C dB min	
				IC : Line	IC Side		100Ω	120Ω	100Ω	120Ω
S553-6500-C4	1 : 2	1.5	0.3	0.6	1.2	35	24	29	23	26

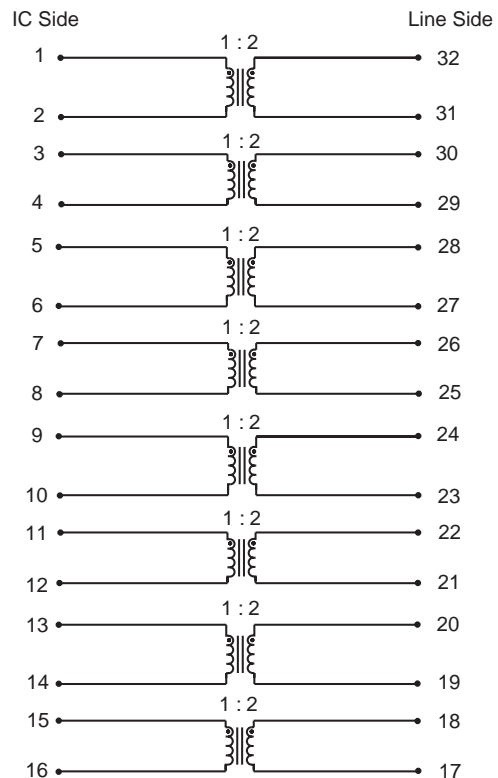
1. Inductance at 10 kHz; leakage inductance at 1 MHz
2. IC side terminated in 27 Ω

SCHEMATIC

For 8 channel applications, minimum crosstalk is achieved when one S553-6500-C4 module is used for all receive interfaces and a second module is used for all transmit interfaces.

No signal assignments are shown on the schematic as users have total flexibility to connect module as discussed above, or to alternate transmit and receive interfaces within a single module.

S553-6500-C4



©2001 Bel Fuse Inc. Specifications subject to change without notice. 11.01

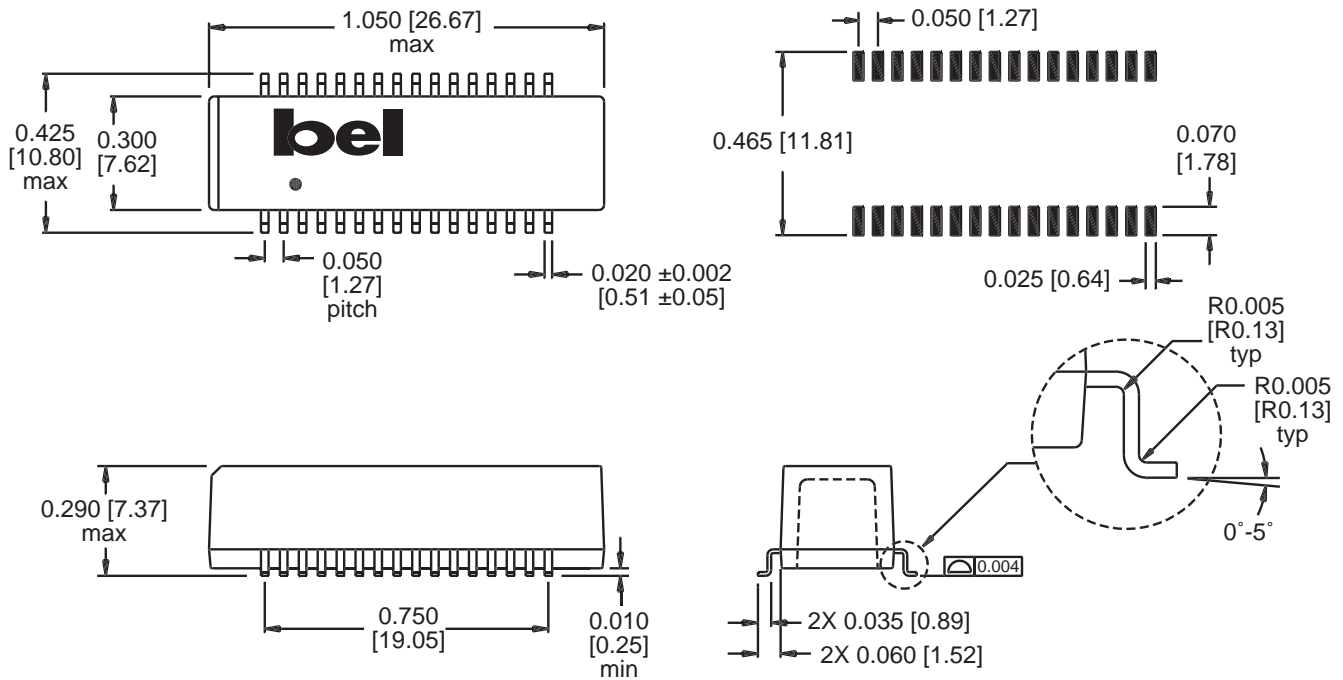
TM01118

MECHANICAL

Meets or exceeds all circuit requirements for:

PMC Sierra PM4318
 Intel LXT384, LXT386
 Conexant CN8380
 Exar XRT5997, XRT81L27, XRT82L24, XRT82L34, XRT82L38

S553-6500-C4



Dimensions are in inches [millimeters].
 Standard dimension tolerance is ±0.005 [0.13] unless otherwise noted.

Tape and Reel Packaging

44 mm wide by 16 mm pitch; 13 inch OD, 4 inch ID
 400 modules per reel, maximum
 Meets ANSI/EIA 481-2 Carrier Tape Standards - JEDEC SO Package

©2001 Bel Fuse Inc. Specifications subject to change without notice. 11.01

CORPORATE

Bel Fuse Inc.
 206 Van Vorst Street
 Jersey City, NJ 07302
 Tel 201-432-0463
 Fax 201-432-9542
 www.belfuse.com

FAR EAST

Bel Fuse Ltd.
 8F / 8 Luk Hop Street
 San Po Kong
 Kowloon, Hong Kong
 Tel 852-2328-5515
 Fax 852-2352-3706
 www.belfuse.com

EUROPE

Bel Fuse Europe Ltd.
 Preston Technology Management Centre
 Marsh Lane, Suite G7, Preston
 Lancashire, PR1 8UD, U.K.
 Tel 44-1772-556601
 Fax 44-1772-888366
 www.belfuse.com