

ADSL Magnetics



TM02395

- Designed to comply with the requirements of UL1950 and EN60950 to provide the supplementary insulation barrier with a working voltage of 250V
- Minimum interwinding breakdown voltage of 1500 Vrms
- Operating and storage temperature range: -40° to +85° C
- Meets IEC 695, 2-2 flammability requirements
- PWB Process Capability: standard printed wiring board assembly techniques, total-immersion cleaning
- Reliability testing: shock, vibration, temperature cycling, temperature - humidity - bias

ELECTRICAL SPECIFICATIONS AT 25° C

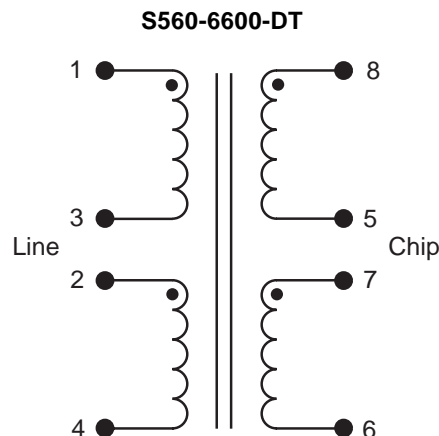
Part Number	Turns Ratio ±2%	Inductance ¹ μH ±5%	Leakage Inductance ² μH max	Interwinding Capacitance ³ pF max	DCR Ω max		Longitudinal Balance ⁴ dB min
	Chip : Line	Line Side	Chip Side	Chip : Line	Chip Side	Line Side	20 kHz - 1.1 MHz
S560-6600-DT	1 : 1.15	475	5	50	2.2	2	45

Part Number	Insertion Loss ⁴ dB max	Insertion Loss ⁴ dB max	Harmonic Distortion ⁴ dB max	DC Unbalance Current mA max
	150 kHz - 300 kHz	1.0 MHz	12 Vpp 150 kHz	Chip : Shorted Line
S560-6600-DT	0.5	1.0	-85	2

All measurements are made with pins 2 and 3 connected and pins 5 and 7 connected

1. Inductance measured at 10 kHz, 0.1 Vac
2. Measured at 100 kHz, 0.1 Vac
3. Interwinding capacitance measured at 10 kHz, 0.1 Vac
4. Measured with line impedance of 100 Ω and chip impedance of 75.6 Ω

SCHEMATIC

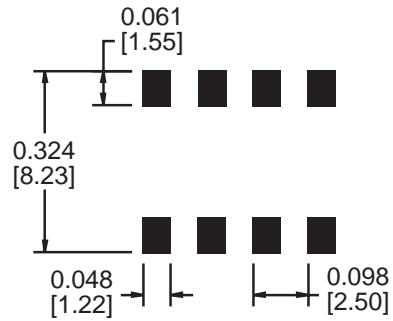
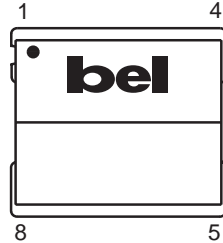


©2002 Bel Fuse Inc. Specifications subject to change without notice. 01.02

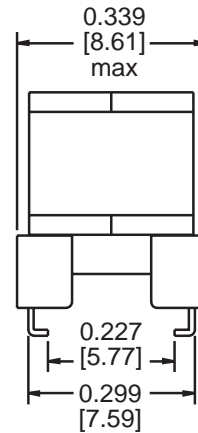
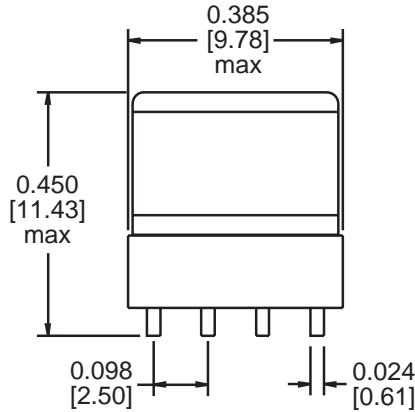
TM02395

MECHANICAL

S560-6600-DT

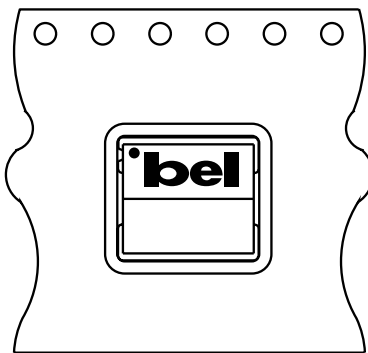


Suggested PCB Pad Layout



Dimensions are in inches [millimeters].

Standard dimension tolerance is ± 0.005 [0.13] unless otherwise noted.



➔ User Feed Direction

Orientation of Component Inside Pocket

Tape and Reel Packaging

24 mm wide by 16 mm pitch; 13 inch OD, 4 inch ID
300 components per reel, maximum
Meets ANSI/EIA 481-2 Carrier Tape Standards

©2002 Bel Fuse Inc. Specifications subject to change without notice. 01.02

CORPORATE

Bel Fuse Inc.
206 Van Vorst Street
Jersey City, NJ 07302
Tel 201-432-0463
Fax 201-432-9542
www.belfuse.com

FAR EAST

Bel Fuse Ltd.
8F / 8 Luk Hop Street
San Po Kong
Kowloon, Hong Kong
Tel 852-2328-5515
Fax 852-2352-3706
www.belfuse.com

EUROPE

Bel Fuse Europe Ltd.
Preston Technology Management Centre
Marsh Lane, Suite G7, Preston
Lancashire, PR1 8UD, U.K.
Tel 44-1772-556601
Fax 44-1772-888366
www.belfuse.com