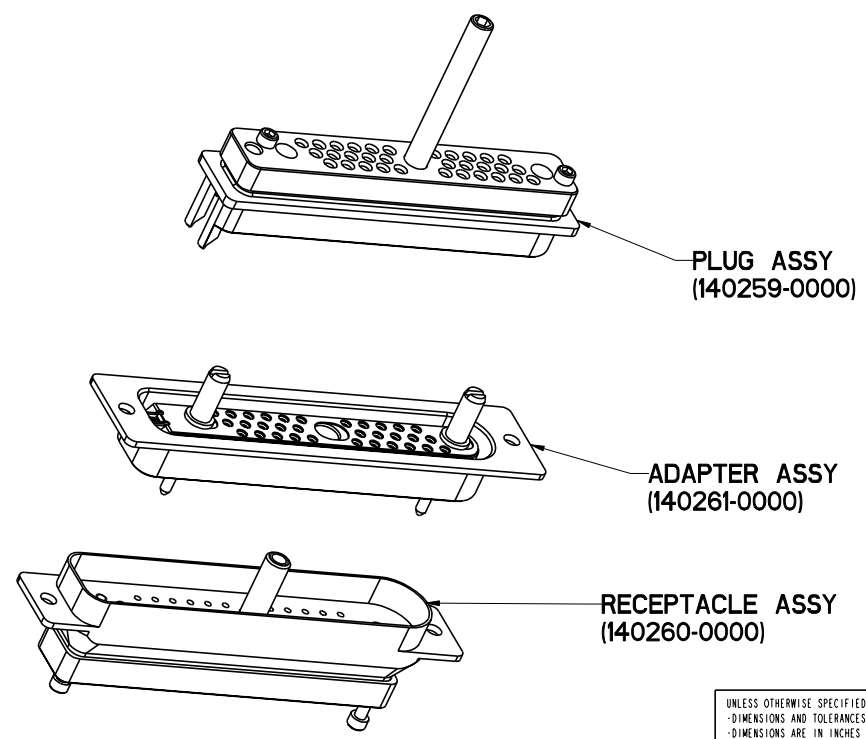
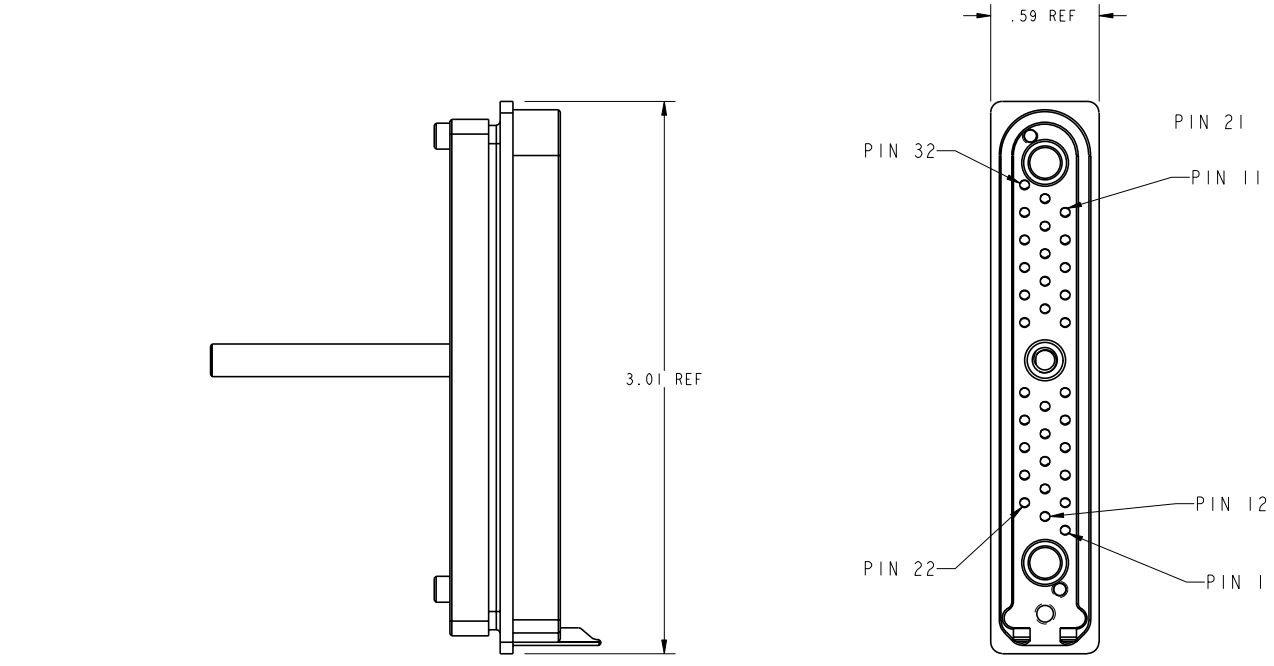
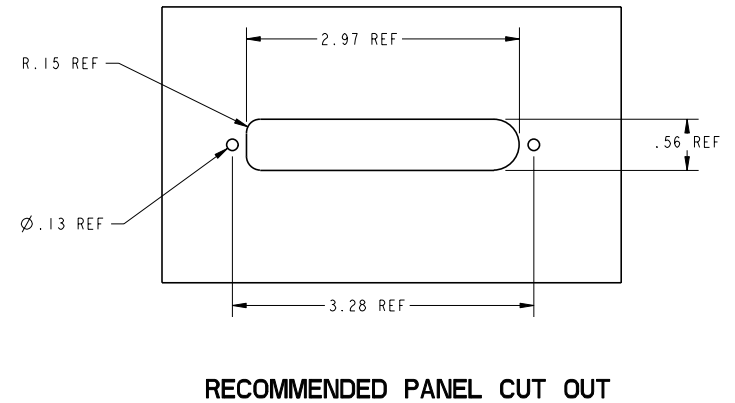
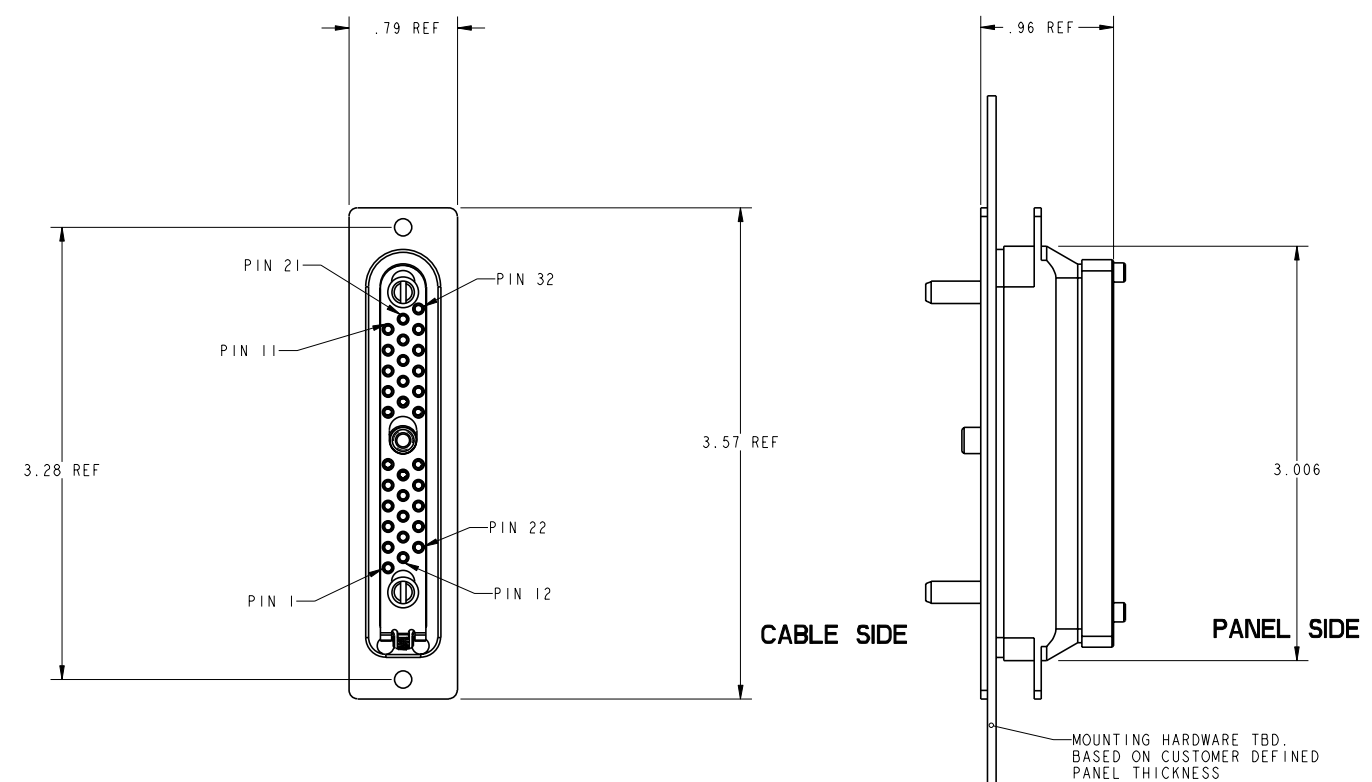


THIS IS ISSUED IN STRICT CONFIDENCE ON CONDITION THAT IT IS NOT USED AS A BASIS FOR MANUFACTURE OR SALE, AND THAT IT IS NOT COPIED, REPRINTED OR DISCLOSED TO A THIRD PARTY EITHER WHOLLY OR IN PART WITHOUT THE PRIOR WRITTEN CONSENT OF ITT CANNON.

REVISIONS			
REV	DESCRIPTION	DATE	APPROVAL
2	REPLACED OLD BACKSHELL WITH NEW DESIGN.	09-May-01	J. N.
3	ADDED PIN CALL OUT NOTES	06-Jun-01	



- NOTES: UNLESS OTHERWISE DESIGNATED
- A. MATERIAL: MACHINED ALUMINUM ALLOY NICKEL PLATED SHELLS
300 SERIES STAINLESS STEEL SHUTTER PLATE
GUIDE PINS, AND HARDWARE
MACHINED ALUMINUM ANODIZED BACKSHELLS
- B. DESIGN FEATURES:
1. ADAPTER ASSY, INCLUDES SHUTTER PLATE
 2. CAM-ACTION PLUG ASSY INTERFACE
 3. CENTER SCREW JACKING HARDWARE FOR MATING AND UNMATING
 4. ONE WAY MATING INTERFACE
 5. BACKSHELL: DESIGN OPTIONS, STRAIGHT, RIGHT ANGLE OR 45° FIBER EXIT NOT SHOWN.
 6. SERVICABLE INTERFACE FOR TERMINUS CLEANING
 7. INDIVIDUALLY EXTRACTABLE/REPLACEABLE TERMINUS

UNLESS OTHERWISE SPECIFIED: - DIMENSIONS AND TOLERANCES AS PER ASME Y14.5M-1994 - DIMENSIONS ARE IN INCHES AND (MM) - REMOVE ALL BURRS AND SHARP EDGES .005 (0.13) MAX. - DO NOT SCALE DRAWING.		TOL DECIMALS .X ± .02 (0.51) .XX ± .01 (0.25) .XXX ± .005 (0.127) .XXXX ± .0005 (0.0127)	TOL ANGLES ° ± 1° SURFACE ROUGHNESS 63 (1.6) ✓	CRITICAL DIM SPC DIM KEY CHARACTERISTIC
DRAWN Doug Gaslineau	DATE 5-15-01	SURFACE AREA	WEIGHT	
CHECKED Mike Finona	DATE 5-15-01	REF		
APPROVED Jim Novacoski	DATE 5-15-01	PART NO	TBD	
ITT Industries ITT Cannon 666 E. DYER RD. SANTA ANA, CA 92705		SCALE 1.500	DESCRIPTION ASSEMBLY 32 CHANNEL PHD PATCH PANEL CONNECTOR	
3RD ANGLE PROJECTION		SIZE D	USE C	
		SHEET 1 / 1	020541Y0000	
			REV 3	