

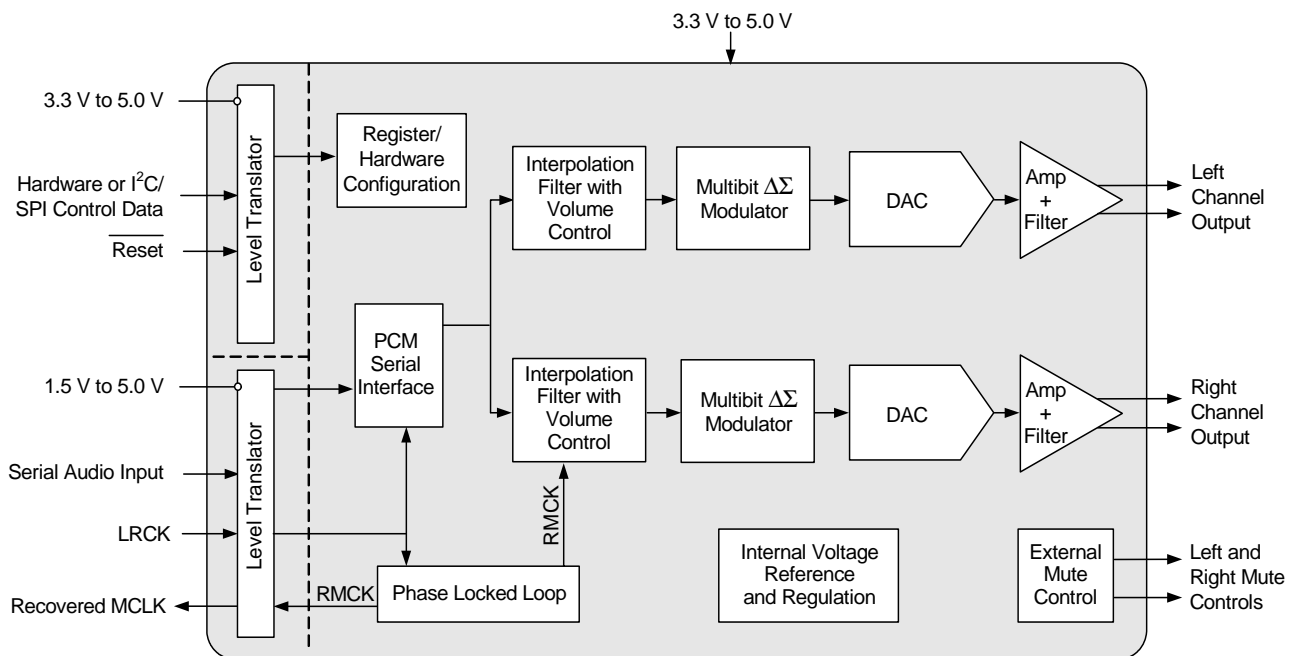
192 kHz Stereo DAC with Integrated PLL

Features

- ◆ Advanced Multi-bit Delta-Sigma Architecture
- ◆ 108 dB Dynamic Range
- ◆ -95 dB THD+N
- ◆ 24-Bit Conversion
- ◆ Supports Audio Sample Rates Up to 192 kHz
- ◆ Low-Latency Digital Filtering
- ◆ Single-Ended or Differential Analog Output Architecture
- ◆ Integrated PLL Locks to Incoming Left-Right Clock
 - Eliminates the Need for External Master-clock Routing
 - Reduces Interference and Jitter Sensitivity
 - No External Loop Filter Components Required
- ◆ Automatic Sample-Rate Range Detection
- ◆ Popguard® Technology for Control of Clicks and Pops
 - Hardware Popguard Disable for Fast Startups
- ◆ Supports All Standard Serial Audio Formats Including Time-Division Multiplexed (TDM)
- ◆ +1.5 V to 5.0 V Logic Supplies for Serial Port
- ◆ +3.3 V to 5.0 V Control Port Interface

Control Port Mode Features

- ◆ SPI™ and I²C® Modes
- ◆ ATAPI Mixing
- ◆ Mute Control for Individual Channels
- ◆ Digital Volume Control with Soft Ramp
 - 119 dB Attenuation
 - 1/2 dB Step Size
 - Zero Crossing Click-Free Transitions



Description

The CS4350 is a complete stereo digital-to-analog system including PLL-based master clock derivation, digital interpolation, 5th-order multi-bit delta-sigma digital-to-analog conversion, digital de-emphasis, volume control, channel mixing, and analog filtering. The advantages of this architecture include ideal differential linearity, no distortion mechanisms due to resistor matching errors, no linearity drift over time and temperature, high tolerance to clock jitter, and a minimal set of external components.

The CS4350 supports all standard digital audio interface formats, including TDM.

The CS4350 is available in a 24-pin TSSOP package in both Commercial (-10° to +70°C) and Automotive grades (-40° to +85°C). The CDB4350 Customer Demonstration board is also available for device evaluation and implementation suggestions. Please refer to ["Ordering Information" on page 39](#) for complete ordering information.

These features are ideal for cost-sensitive, 2-channel audio systems, including DVD players, A/V receivers, set-top boxes, digital TVs and VCRs, mini-component systems, and mixing consoles.

TABLE OF CONTENTS

1. PIN DESCRIPTION.....	6
2. CHARACTERISTICS AND SPECIFICATIONS.....	8
SPECIFIED OPERATING CONDITIONS	8
ABSOLUTE MAXIMUM RATINGS.....	8
DAC ANALOG CHARACTERISTICS.....	9
COMBINED INTERPOLATION & ON-CHIP ANALOG FILTER RESPONSE.....	11
SWITCHING SPECIFICATIONS - SERIAL AUDIO INTERFACE.....	12
SWITCHING CHARACTERISTICS - CONTROL PORT - I ² C FORMAT.....	13
SWITCHING CHARACTERISTICS - CONTROL PORT - SPI FORMAT.....	14
DIGITAL CHARACTERISTICS	15
POWER AND THERMAL CHARACTERISTICS.....	15
3. TYPICAL CONNECTION DIAGRAM	16
4. APPLICATIONS	17
4.1 Sample Rate Range and Oversampling Mode Detect.....	17
4.1.1 Sample Rate Auto-Detect	17
4.2 System Clocking.....	17
4.2.1 Recovered Master Clock (RMCK).....	17
4.3 Digital Interface Format	18
4.3.1 Time-Division Multiplex (TDM) Mode	19
4.4 De-Emphasis	20
4.5 Mute Control.....	20
4.6 Recommended Power-Up Sequence	20
4.6.1 Stand-Alone Mode	20
4.6.2 Control Port Mode	20
4.7 Popguard [®] Transient Control	21
4.7.1 Power-Up	21
4.7.2 Power-Down.....	21
4.7.3 Discharge Time	21
4.8 Analog Output and Filtering.....	22
4.9 Grounding and Power Supply Arrangements	22
4.9.1 Capacitor Placement.....	22
5. STAND-ALONE OPERATION.....	23
5.1 Serial Port Format Selection.....	23
5.2 De-emphasis Control.....	23
5.3 Popguard [®] Transient Control.....	23
6. CONTROL PORT OPERATION	24
6.1 MAP Auto Increment	24
6.2 I ² C Mode	24
6.2.1 I ² C Write.....	24
6.2.2 I ² C Read.....	24
6.3 SPI Mode.....	25
6.3.1 SPI Write	25
6.3.2 SPI Read.....	26
6.4 Memory Address Pointer (MAP)	26
6.4.1 INCR (Auto Map Increment Enable)	26
6.4.2 MAP (Memory Address Pointer)	26
7. REGISTER QUICK REFERENCE	27
8. REGISTER DESCRIPTION	28
8.1 Chip ID - Register 01h	28
8.2 Mode Control - Register 02h	28
8.2.1 Digital Interface Format (DIF[2:0]) Bits 6-4	28
8.2.2 De-Emphasis Control (DEM[1:0]) Bits 3-2	28

8.2.3 Functional Mode (FM[1:0]) Bits 1-0.....	29
8.3 Volume Mixing and Inversion Control - Register 03h	29
8.3.1 Channel A Volume = Channel B Volume (VOLB=A) Bit 7	29
8.3.2 Invert Signal Polarity (INVERT_A) Bit 6	29
8.3.3 Invert Signal Polarity (INVERT_B) Bit 5	29
8.3.4 ATAPI Channel Mixing and Muting (ATAPI[3:0]) Bits 3-0	30
8.4 Mute Control - Register 04h	31
8.4.1 Auto-Mute (AMUTE) Bit 7	31
8.4.2 AMUTE = BMUTE (MUTE A=B) Bit 5	31
8.4.3 Channel A Mute (MUTE_A) Bit 4 & Channel B Mute (MUTE_B) Bit 3.....	31
8.5 Channel A & B Volume Control - Register 05h & 06h	31
8.6 Ramp and Filter Control - Register 07h.....	32
8.6.1 Soft Ramp and Zero Cross Control (SZC[1:0]) Bits 7-6	32
8.6.2 Soft Volume Ramp-Up after Error (RMP_UP) Bit 5	33
8.6.3 Soft Ramp-Down before Filter Mode Change (RMP_DN) Bit 4	33
8.6.4 Interpolation Filter Select (FILT_SEL) Bit 2.....	33
8.7 Misc. Control - Register 08h	33
8.7.1 Power Down (PDN) Bit 7.....	33
8.7.2 Freeze Controls (FREEZE) Bit 5	33
8.7.3 Popguard Enable (POPG_EN) Bit 4	34
8.7.4 RMCK control (RMCK_CTR[1:0]) Bits 3:2	34
8.7.5 RMCK Ratio Select (R_SELECT[1:0]) Bits 2:1	34
9. FILTER PLOTS	35
10. PARAMETER DEFINITIONS.....	37
11. PACKAGE DIMENSIONS	38
THERMAL CHARACTERISTICS	38
12. ORDERING INFORMATION	39
13. REVISION HISTORY	39

LIST OF FIGURES

Figure 1. Output Test Load	10
Figure 2. Maximum Loading.....	10
Figure 3. Serial Port Timing, Non-TDM Mode.....	12
Figure 4. Serial Port Timing, TDM Mode.....	12
Figure 5. Control Port Timing - I ² C Format.....	13
Figure 6. Control Port Timing - SPI Mode	14
Figure 7. Typical Connection Diagram.....	16
Figure 8. Left-Justified up to 24-Bit Data.....	18
Figure 9. I ² S, up to 24-Bit Data	18
Figure 10. Right-Justified Data.....	18
Figure 11. TDM Mode Connection Diagram	19
Figure 12. TDM Mode Timing	19
Figure 13. De-Emphasis Curve.....	20
Figure 14. Differential to Single-ended Output Filter.....	22
Figure 15. Passive Single-Ended Output Filter.....	22
Figure 16. Control Port Timing, I ² C Mode	25
Figure 17. Control Port Timing, SPI Mode	26
Figure 18. De-Emphasis Curve.....	28
Figure 19. ATAPI Block Diagram	30
Figure 20. Stopband Rejection (fast), all Modes.....	35
Figure 21. Stopband Rejection (slow), all Modes.....	35
Figure 22. Single-Speed (fast) Passband Detail.....	35
Figure 23. Single-Speed (slow) Passband Detail.....	35
Figure 24. Double-Speed (fast) Passband Detail.....	35
Figure 25. Double-Speed (slow) Passband Detail	35
Figure 26. Quad-Speed (fast) Passband Detail	36
Figure 27. Quad-Speed (slow) Passband Detail.....	36

LIST OF TABLES

Table 1. Pin Descriptions	7
Table 2. CS4350 Auto-Detect	17
Table 3. Digital Interface Format - Stand-Alone Mode.....	23
Table 4. Digital Interface Formats	28
Table 5. ATAPI Decode	30
Table 6. Example Digital Volume Settings.....	32

1. PIN DESCRIPTION

DIF2(AD1/CDOUT)	1	24	$\overline{\text{RST}}$
DEM(AD0/ $\overline{\text{CS}}$)	2	23	AOUTB-
DIF0(SDA/CDIN)	3	22	AOUTB+
DIF1(SCL/CCLK)	4	21	$\overline{\text{BMUTE C}}$
VLC	5	20	VQ
VD_FILT	6	19	GND
GND	7	18	VA
RMCK	8	17	VBIAS
VLS	9	16	$\overline{\text{AMUTE C}}$
SCLK	10	15	AOUTA+
SDIN	11	14	AOUTA-
LRCK	12	13	TSTO

Pin Name	#	Pin Description
VLC	5	Control Interface Power (<i>Input</i>) - Positive power for the hardware/software control interface
VD_FILT	6	Regulator Voltage (<i>Output</i>) - Filter connection for internal voltage regulator
GND	7, 19	Ground (<i>Input</i>) - Ground reference
RMCK	8	Recovered Master Clock (<i>Output</i>) - Outputs a master clock derived from LRCK
VLS	9	Serial Audio Interface Power (<i>Input</i>) - Positive power for the serial audio interface
SCLK	10	Serial Clock (<i>Input</i>) - Serial bit-clock for the serial audio interface
SDIN	11	Serial Audio Data Input (<i>Input</i>) - Input for two's complement serial audio data
LRCK	12	Left/Right Clock (<i>Input</i>) - Determines which channel, Left or Right, is currently active on the serial audio data line
TSTO	13	Test Output - These pins need to be floating and not connected to any trace or plane.
AOUTA+,- AOUTB+,-	14, 15, 22, 23	Differential Analog Outputs (<i>Output</i>) - The full scale differential output level is specified in " DAC Analog Characteristics " on page 9.
AMUTE \overline{C} BMUTE \overline{C}	16, 21	Mute Control (<i>Output</i>) - Control signals for optional mute circuit.
VBIAS	17	Positive Voltage Reference (<i>Output</i>) - Positive reference voltage for the internal DAC
VA	18	Analog Power (<i>Input</i>) - Positive power supply for the analog section
VQ	20	Quiescent Voltage (<i>Output</i>) - Filter connection for internal quiescent voltage
\overline{RST}	24	Reset (<i>Input</i>) - When pulled low, device will power down and reset all internal registers to their default settings.
Control Port Definitions		
AD1/CDOUT	1	Address Bit 1 / Serial Control Data Out (<i>I/O</i>) - Chip address bit 1 in I ² C Mode or data output in SPI Mode
AD0/ \overline{CS}	2	Address Bit 0 / Chip Select (<i>Input</i>) - Chip address bit 0 in I ² C Mode or Chip Select in SPI Mode
SDA/CDIN	3	Serial Control Data In (<i>I/O</i>) - Input/Output for I ² C data. Input for SPI data
SCL/CCLK	4	Serial Control Port Clock (<i>Input</i>) - Serial clock for the control port interface
Stand-Alone Definitions		
DIF0 DIF1 DIF2	1, 3, 4	Digital Interface Format (<i>Input</i>) - Defines the required relationship between the Left Right Clock, Serial Clock, and Serial Audio Data
DEM	2	De-emphasis (<i>Input</i>) - Selects the standard 15 μ s/50 μ s digital de-emphasis filter response for 44.1 kHz sample rates

Table 1. Pin Descriptions

2. CHARACTERISTICS AND SPECIFICATIONS

(Min/Max performance characteristics and specifications are guaranteed over the Specified Operating Conditions. Typical specifications are derived from performance measurements at $T_A = 25\text{ }^\circ\text{C}$, $V_A = 3.3\text{ V}$ or 5.0 V)

SPECIFIED OPERATING CONDITIONS

(GND = 0 V; all voltages with respect to ground.)

Parameters		Symbol	Min	Typ	Max	Units
DC Power Supply	Analog power	V_A	4.75	5.0	5.25	V
			3.14	3.3	3.46	V
	Serial Audio Interface power	V_{LS}	1.35	3.3	5.25	V
	Control Interface power	V_{LC}	3.14	3.3	5.25	V
Specified Temperature Range	Commercial	T_A	-10	-	+70	$^\circ\text{C}$
	Automotive	T_A	-40	-	+85	$^\circ\text{C}$

ABSOLUTE MAXIMUM RATINGS

(GND = 0 V; all voltages with respect to ground.)

Parameters		Symbol	Min	Max	Units
DC Power Supply	Analog power	V_A	-0.3	6.0	V
	Serial Audio Interface power	V_{LS}	-0.3	6.0	V
	Control Interface power	V_{LC}	-0.3	6.0	V
Input Current, Any Pin Except Supplies		I_{in}	-	± 10	mA
Digital Input Voltage	Serial Audio Interface	V_{IN-LS}	-0.3	$V_{LS} + 0.4$	V
Control Interface		V_{IN-LC}	-0.3	$V_{LC} + 0.4$	V
Ambient Operating Temperature (power applied)		T_A	-55	125	$^\circ\text{C}$
Storage Temperature		T_{stg}	-65	150	$^\circ\text{C}$

Operation at or beyond these limits may result in permanent damage to the device. Normal operation is not guaranteed at these extremes.

DAC ANALOG CHARACTERISTICS

Test conditions (unless otherwise specified): input test signal is a 997 Hz sine wave at 0 dBFS; measurement bandwidth 10 Hz to 20 kHz

Parameter			Symbol	Min	Typ	Max	Unit
VA=+5 V			Fs = 48, 96, and 192 kHz				
Single-ended/Differential							
Dynamic Range (Note 1)	24-bit	A-Weighted		99/102	105/108	-	dB
		unweighted		96/99	102/105	-	dB
	16-bit	A-Weighted		-	98	-	dB
		unweighted		-	95	-	dB
Total Harmonic Distortion + Noise (Note 1)	24-bit	0 dB		-	-95	-89	dB
		-20 dB		-	-82/-79	-76	dB
		-60 dB	THD+N	-	-42/-39	-36	dB
	16-bit	0 dB		-	-92	-	dB
		-20 dB		-	-75	-	dB
		-60 dB		-	-35	-	dB
VA=+3.3 V			Fs = 48, 96, and 192 kHz				
Single-ended/Differential							
Dynamic Range (Note 1)	24-bit	A-Weighted		97/100	103/106	-	dB
		unweighted		94/97	100/103	-	dB
	16-bit	A-Weighted		-	98	-	dB
		unweighted		-	95	-	dB
Total Harmonic Distortion + Noise (Note 1)	24-bit	0 dB		-	-95	-89	dB
		-20 dB		-	-80/-77	-74	dB
		-60 dB	THD+N	-	-40/-36	-34	dB
	16-bit	0 dB		-	-92	-	dB
		-20 dB		-	-75	-	dB
		-60 dB		-	-35	-	dB
Interchannel Isolation		(1 kHz)		-	100	-	dB
DC Accuracy							
Interchannel Gain Mismatch				-	0.1	0.25	dB
Gain Drift				-	100	-	ppm/°C

Note:

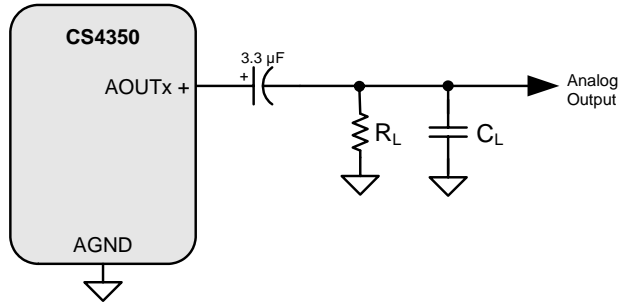
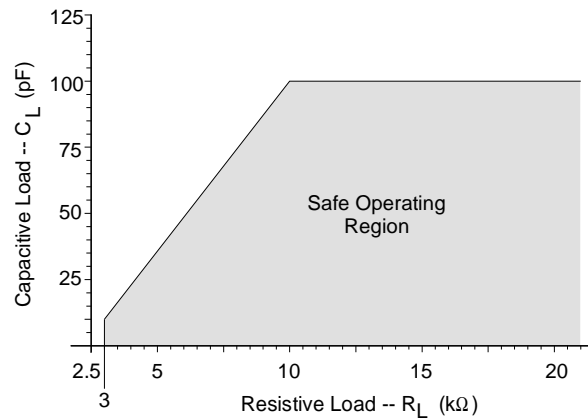
1. One-half LSB of triangular PDF dither is added to data

DAC ANALOG CHARACTERISTICS (CONTINUED)

Analog Output						
Parameter	Symbol	Min	Typ	Max	Unit	
Full Scale Output Voltage - Single Ended		2.66	2.8	2.94	Vpp	
Full Scale Output Voltage - Differential		5.32	5.6	5.88	Vpp	
Quiescent Voltage	V _Q	-	0.5•VA	-	VDC	
Max DC Current draw from an AOUT pin	I _{OUTmax}	-	10	-	μA	
Max Current draw from VQ	I _{Qmax}	-	100	-	μA	
Max AC-Load Resistance	R _L	-	3	-	kΩ	
Max Load Capacitance	C _L	-	100	-	pF	
Output Impedance	Z _{OUT}	-	100	-	Ω	

Note:

- R_L and C_L represent the minimum resistance and maximum capacitance required for the CS4350's internal op-amp to remain stable. See [Figure 1](#) and [Figure 2](#) for more details.


Figure 1. Output Test Load

Figure 2. Maximum Loading

COMBINED INTERPOLATION & ON-CHIP ANALOG FILTER RESPONSE

The filter characteristics have been normalized to the sample rate (F_s) and can be referenced to the desired sample rate by multiplying the given characteristic by F_s . Amplitude vs. Frequency plots of this data are available in the “Filter Plots” on page 35

Parameter	Min	Typ	Max	Unit	
Fast Roll-Off					
Passband (Note 3)	-0.01 dB corner (Single Speed)	0	-	.454	F_s
	-0.1 dB corner (Double Speed)	0	-	.42	F_s
	-0.2 dB corner (Quad Speed)	0	-	.27	F_s
	-3 dB corner (All Speed Modes)	0	-	.499	F_s
Frequency Response 10 Hz to 20 kHz	Single Speed	-0.01	-	+0.01	dB
	Double Speed, Quad Speed	-0.02	-	+0.02	dB
StopBand	0.547	-	-	F_s	
Stop-Band Attenuation (Note 4)	102	-	-	dB	
Total Group Delay (F_s = Output Sample Rate)	-	9.4/ F_s	-	s	
Intra-channel Phase Deviation	-	-	$\pm 0.56/F_s$	s	
Inter-channel Phase Deviation	-	-	0	s	
De-emphasis Error (Note 5) (Relative to 1 kHz)	F_s = 32 kHz	-	-	± 0.23	dB
	F_s = 44.1 kHz	-	-	± 0.14	dB
	F_s = 48 kHz	-	-	± 0.09	dB
Slow Roll-Off (Note 6)					
Passband (Note 3)	-0.01 dB corner (Single Speed)	0	-	0.417	F_s
	-0.1 dB corner (Double Speed)	0	-	.37	F_s
	-0.2 dB corner (Quad Speed)	0	-	.27	F_s
	-3 dB corner (All Speed Modes)	0	-	.499	F_s
Frequency Response 10 Hz to 20 kHz	Single Speed	-0.01	-	+0.01	dB
	Double Speed, Quad Speed	-0.02	-	+0.02	dB
StopBand	.583	-	-	F_s	
Stop-Band Attenuation (Note 4)	64	-	-	dB	
Total Group Delay (F_s = Output Sample Rate)	-	6.5/ F_s	-	s	
Intra-channel Phase Deviation	-	-	$\pm 0.14/F_s$	s	
Inter-channel Phase Deviation	-	-	0	s	
De-emphasis Error (Note 5) (Relative to 1 kHz)	F_s = 32 kHz	-	-	± 0.23	dB
	F_s = 44.1 kHz	-	-	± 0.14	dB
	F_s = 48 kHz	-	-	± 0.09	dB

Notes:

3. Response is clock dependent.
4. The Measurement Bandwidth is from stopband to 3 F_s .
5. De-emphasis is available only in Single-Speed Mode; Only 44.1 kHz De-emphasis is available in Stand-Alone Mode.
6. Slow Roll-off interpolation filter is only available in Control Port Mode.

SWITCHING SPECIFICATIONS - SERIAL AUDIO INTERFACE

(Inputs: Logic 0 = GND, Logic 1 = VLS, $C_L = 20$ pF)

Parameters	Symbol	Min	Max	Units	
RMCK Output Frequency (Note 7)		7.680	51.2	MHz	
RMCK Output Duty Cycle		45	55	%	
Input Sample Rate	Single-Speed Mode	F_s	30	54	kHz
	Double-Speed Mode	F_s	60	108	kHz
	Quad-Speed Mode	F_s	120	216	kHz
LRCK Duty Cycle (Non-TDM Mode)		40	60	%	
SCLK Frequency		-	51.2	MHz	
SCLK High Time	t_{sckh}	8	-	ns	
SCLK Low Time	t_{sckl}	8	-	ns	
SDIN Setup Time Before SCLK Rising Edge	t_{ds}	3	-	ns	
SDIN Hold Time After SCLK Rising Edge	t_{dh}	5	-	ns	
Non-TDM Mode (refer to Figure 3)					
LRCK Edge to SCLK Rising Edge	t_{lcks}	6	-	ns	
SCLK Rising Edge to LRCK Edge	t_{lckd}	5	-	ns	
TDM Mode (refer to Figure 4)					
LRCK High Time	t_{lrckh}	163		ns	
SCLK Rising to LRCK Falling Edge	t_{fsh}	5	-	ns	
LRCK Rising Edge to SCLK Rising Edge	t_{fss}	5	-	ns	

Notes:

- RMCK output frequency depends on the input LRCK frequency. See Section 4.1 and Section 4.2 for more details.

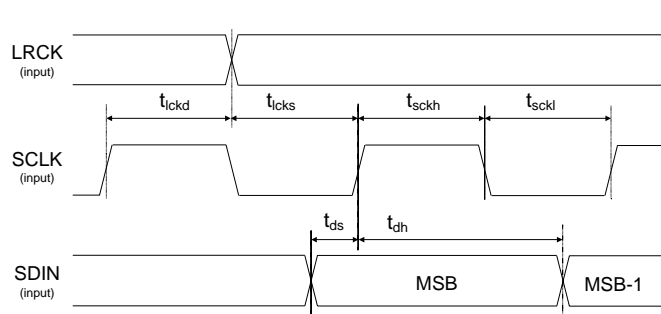


Figure 3. Serial Port Timing, Non-TDM Mode

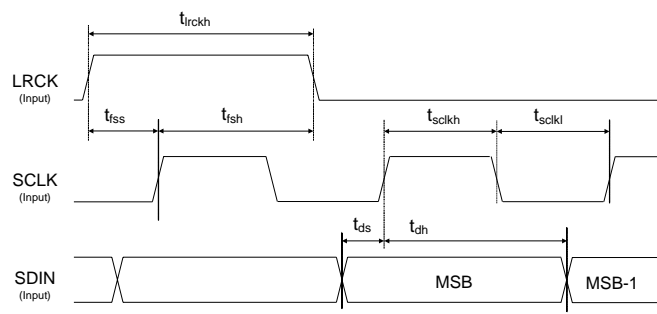


Figure 4. Serial Port Timing, TDM Mode

SWITCHING CHARACTERISTICS - CONTROL PORT - I²C FORMAT

(Inputs: Logic 0 = GND, Logic 1 = VLC, C_L = 20 pF)

Parameter	Symbol	Min	Max	Unit
SCL Clock Frequency	f _{scl}	-	100	kHz
RST Rising Edge to Start	t _{irs}	500	-	ns
Bus Free Time Between Transmissions	t _{buf}	4.7	-	μs
Start Condition Hold Time (prior to first clock pulse)	t _{hdst}	4.0	-	μs
Clock Low time	t _{low}	4.7	-	μs
Clock High Time	t _{high}	4.0	-	μs
Setup Time for Repeated Start Condition	t _{sust}	4.7	-	μs
SDA Hold Time from SCL Falling (Note 8)	t _{hdd}	0	-	μs
SDA Setup time to SCL Rising	t _{sud}	250	-	ns
Rise Time of SCL and SDA	t _{rc} , t _{rc}	-	1	μs
Fall Time SCL and SDA	t _{fc} , t _{fc}	-	300	ns
Setup Time for Stop Condition	t _{susp}	4.7	-	μs
Acknowledge Delay from SCL Falling	t _{ack}	300	1000	ns

Notes:

- Data must be held for sufficient time to bridge the transition time, t_{fc}, of SCL.

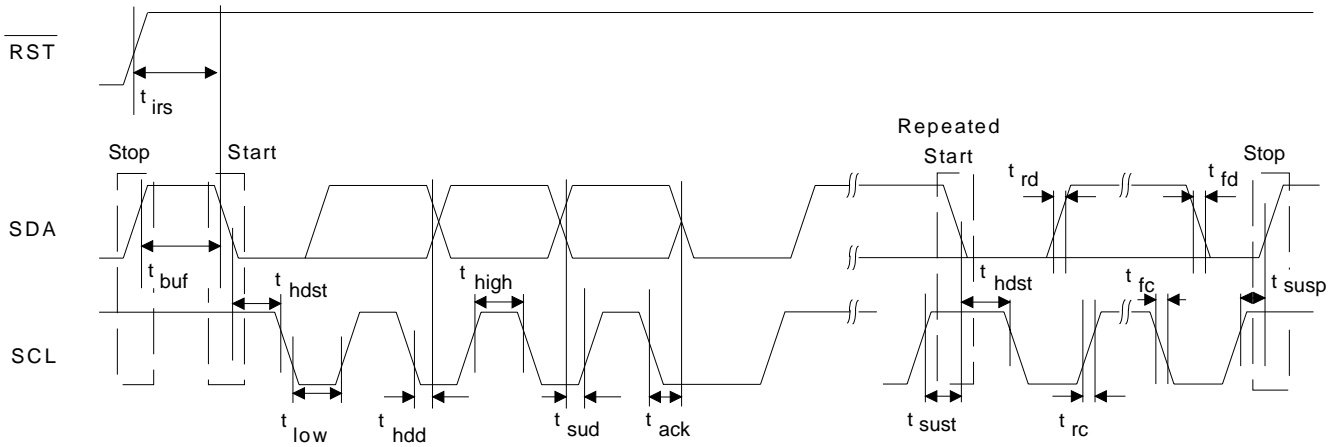


Figure 5. Control Port Timing - I²C Format

SWITCHING CHARACTERISTICS - CONTROL PORT - SPI FORMAT

(Inputs: Logic 0 = GND, Logic 1 = VLC, $C_L = 20$ pF)

Parameter	Symbol	Min	Max	Unit
CCLK Clock Frequency	f_{sclk}	-	6	MHz
\overline{RST} Rising Edge to \overline{CS} Falling	t_{srs}	500	-	ns
CCLK Edge to \overline{CS} Falling (Note 9)	t_{spi}	500	-	ns
\overline{CS} High Time Between Transmissions	t_{csh}	1.0	-	μ s
\overline{CS} Falling to CCLK Edge	t_{css}	20	-	ns
CCLK Low Time	t_{scl}	66	-	ns
CCLK High Time	t_{sch}	66	-	ns
CDIN to CCLK Rising Setup Time	t_{dsu}	40	-	ns
CCLK Rising to DATA Hold Time (Note 10)	t_{dh}	15	-	ns
Rise Time of CCLK and CDIN (Note 11)	t_{r2}	-	100	ns
Fall Time of CCLK and CDIN (Note 11)	t_{f2}	-	100	ns
Transition Time from CCLK to CDOUT Valid (Note 12)	t_{r2}	-	100	ns
Time from \overline{CS} rising to CDOUT High-Z	t_{f2}	-	100	ns

Notes:

9. t_{spi} only needed before first falling edge of \overline{CS} after \overline{RST} rising edge. $t_{spi} = 0$ at all other times.
10. Data must be held for sufficient time to bridge the transition time of CCLK.
11. For $F_{SCK} < 1$ MHz.
12. CDOUT should *not* be sampled during this time.

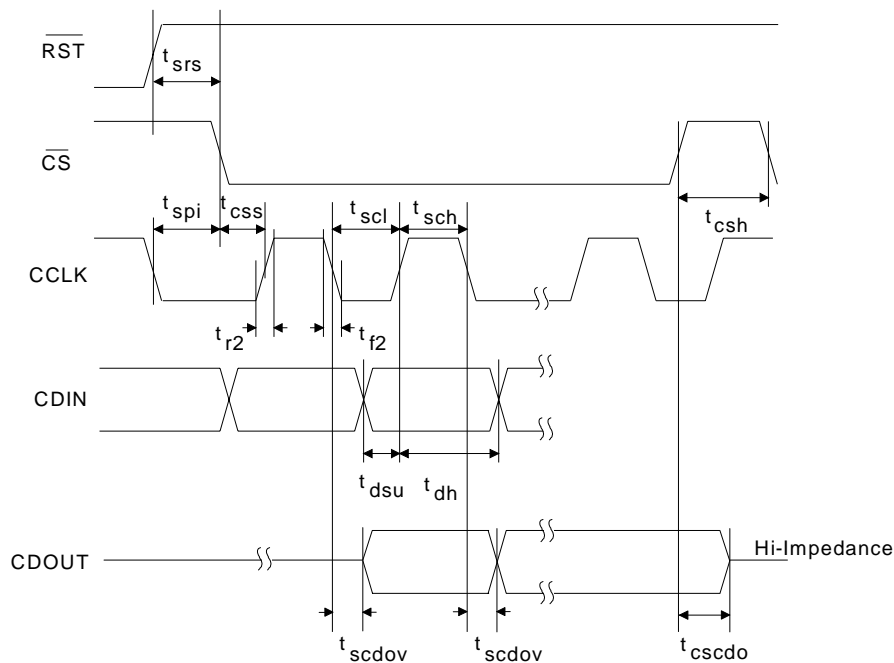


Figure 6. Control Port Timing - SPI Mode

DIGITAL CHARACTERISTICS

Parameters		Symbol	Min	Typ	Max	Units
High-Level Input Voltage	VLC or VLS = 5.0 V	V_{IH}	$0.7 \cdot V_L$	-	-	V
	VLC or VLS = 3.3 V	V_{IH}	2.0	-	-	V
	VLS = 2.5 V	V_{IH}	1.7	-	-	V
	VLS = 1.8 V	V_{IH}	$0.65 \cdot V_L$	-	-	V
High-Level Input Voltage	VLC or VLS = 5.0 V	V_{IL}	-	-	$0.35 \cdot V_L$	V
	VLC or VLS = 3.3 V	V_{IL}	-	-	0.8	V
	VLS = 2.5 V	V_{IL}	-	-	0.7	V
	VLS = 1.8 V	V_{IL}	-	-	$0.35 \cdot V_L$	V
Input Leakage Current		I_{in}	-	-	± 10	μA
Input Capacitance			-	8	-	pF
High Level Output Voltage (RMCK) $I_O = 2$ mA (VLS ≥ 3.0 V)		V_{OH}	VLS-1.0	-	-	V
Low Level Output Voltage (RMCK) $I_O = -2$ mA (VLS ≥ 3.0 V)		V_{OL}	-	-	0.4	V
RMCK Output Load Drive			-	-	10	pF
Maximum MUTE C Drive Current			-	2	-	mA
MUTE C High-Level Output Voltage		V_{OH}	-	VA	-	V
MUTE C Low-Level Output Voltage		V_{OL}	-	0	-	V

POWER AND THERMAL CHARACTERISTICS

Parameters		Symbol	Min	Typ	Max	Units
Power Supply Current - Normal Operation (Note 13)	VA = 5.0 V	I_A	-	14	18	mA
	VA = 3.3 V	I_A	-	11	14	mA
	VLS = VLC = 5.0 V (Note 14)	I_{LS}	-	0.1	1	mA
	VLS = VLC = 3.3 V (Note 14)	I_{LS}	-	0.1	1	mA
	VLS = VLC = 5.0 V (Note 15)	I_{LC}	-	6	9	mA
	VLS = VLC = 3.3 V (Note 15)	I_{LC}	-	4	7	mA
Power Supply Current - Power-Down State (Note 16)	VA, VLS, VLC	I_{pd}	-	100	-	μA
Power Dissipation - Normal Operation (Note 13)	VA = VLC = VLS = 5.0 V		-	100	140	mW
	VA = VLC = VLS = 3.3 V		-	50	75	mW
Power Dissipation - Power-Down State (Note 16)	VA = VLC = VLS = 5.0 V		-	1	-	mW
	VA = VLC = VLS = 3.3 V		-	1	-	mW
Power Supply Rejection Ratio (Note 17)	(1 kHz)	PSRR		60	-	dB
	(60 Hz)	PSRR		60	-	dB

Notes:

13. Current consumption increases with increasing Fs within the range of a speed mode. Typ and Max values are based on highest FS within a speed mode. Variance between speed modes is small.
14. I_{LS} measured with no external loading on pin 7 (RMCK).
15. I_{LC} measured with no external loading on pin 2 (SDA).
16. Power-down mode is defined as RES pin = Low with all clock and data lines held static.
17. Valid with the recommended capacitor values on VFILT, VQ, and VBIAS as shown in the typical connection diagram in Figure 7.

3. TYPICAL CONNECTION DIAGRAM

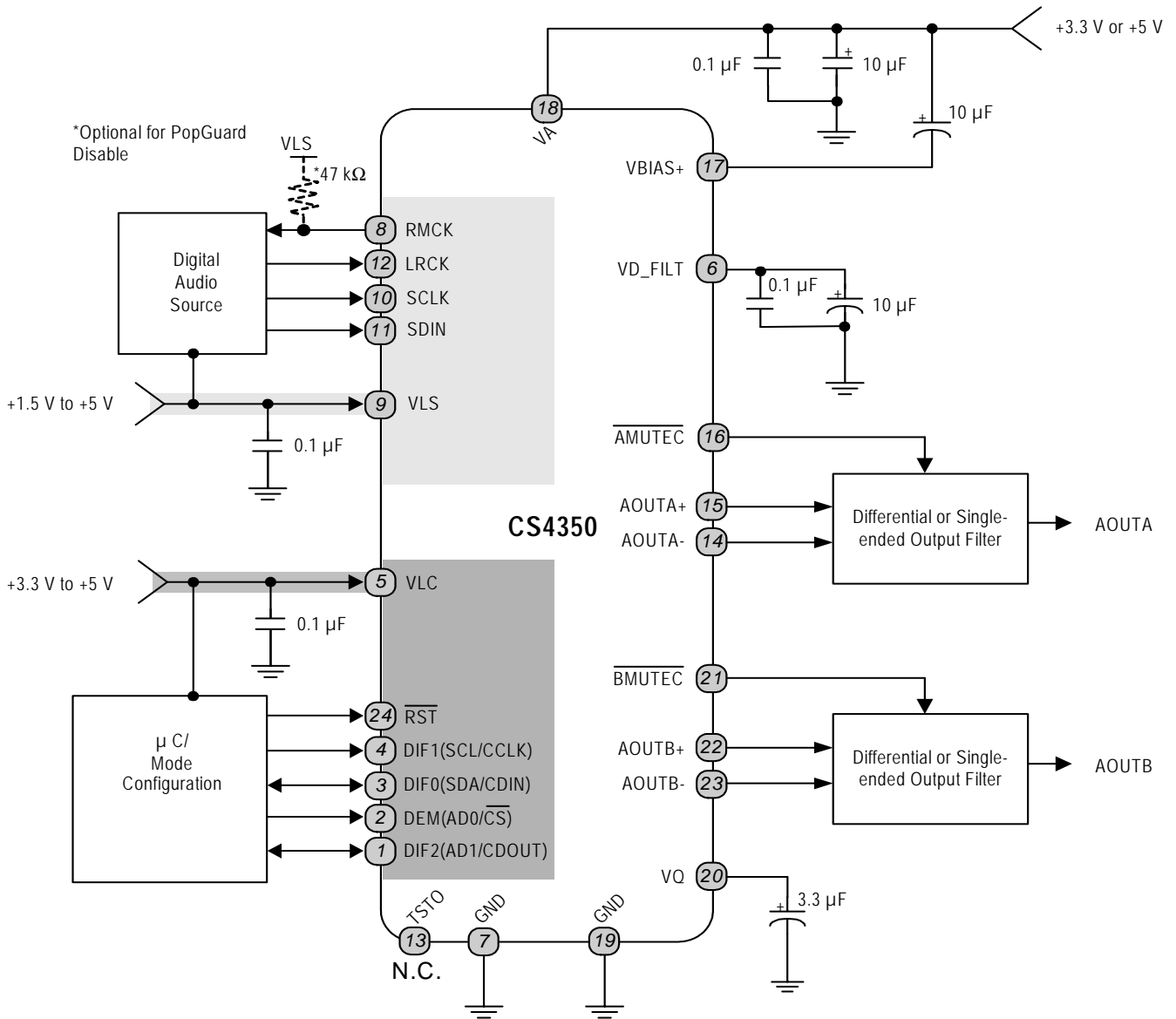


Figure 7. Typical Connection Diagram

4. APPLICATIONS

4.1 Sample Rate Range and Oversampling Mode Detect

The device operates in one of three oversampling modes based on the input sample rate. In Control Port Mode, the allowed sample rate range in each mode will depend on how the FM[1:0] bits are configured. In Stand-Alone Mode, the sample rate range will be according to [Table 2](#).

4.1.1 Sample Rate Auto-Detect

The Auto-Detect feature is enabled by default. In this state, the CS4350 will auto-detect the correct mode when the input sample rate (F_s), defined by the LRCK frequency, falls within one of the ranges shown in [Table 2](#). Sample rates outside the specified range for each mode are not supported when Auto-Detect is enabled.

Input Sample Rate (F_s)	Mode
30 kHz - 54 kHz	Single-Speed Mode
60 kHz - 108 kHz	Double-Speed Mode
120 kHz - 216 kHz	Quad-Speed Mode

Table 2. CS4350 Auto-Detect

In Control Port Mode, the Auto-Detect feature can be disabled by the format bits in the control port register 02h. In this state, the CS4350 will not auto-detect the correct mode based on the input sample rate (F_s). The operational mode must then be set manually according to one of the ranges referred to in [Section 8.2.3](#). Sample rates outside the specified range for each mode are not supported. In Stand-Alone Mode it is not possible to disable auto-detect of sample rates.

4.2 System Clocking

The device requires external generation of the left/right (LRCK) and serial (SCLK) clocks. The left/right clock frequency is equal to the input sample rate (F_s).

Refer to [Section 4.3](#) for the required SCLK-to-LRCK timing associated with the selected digital interface format, and [“Switching Specifications - Serial Audio Interface” on page 12](#) for the maximum allowed clock frequencies.

4.2.1 Recovered Master Clock (RMCK)

The CS4350 generates a high-frequency master clock (RMCK) which it derives from the LRCK input, available on the RMCK pin. In Stand-Alone Mode, the frequency of RMCK is equal to 256 x LRCK in Single-Speed and Double-Speed Mode; and 128 x LRCK in Quad-Speed Mode. In Control-Port Mode, the frequency of the RMCK signal can be selected through register 08h (see [Section 8.7 on page 33](#) for more details).

4.3 Digital Interface Format

The device will accept audio samples in 1 of 8 digital interface formats, as shown in [Table 3 on page 23](#) for Stand-Alone Mode and [Table 4 on page 28](#) for Control Port Mode.

The desired serial audio interface format is selected via the DIF[2:0] bits in Control Port Mode (see [Section 8.2.1](#)), or the DIF[2:0] pins in Stand-Alone Mode (see [Section 5.1](#)). For illustrations of the required relationship between LRCK, SCLK and SDIN, see [Figures 8-10](#). For all formats, SDIN is valid on the rising edge of SCLK.

For more information about serial audio formats, refer to the Cirrus Logic Application Note AN282, *The 2-Channel Serial Audio Interface: A Tutorial*, available at www.cirrus.com.

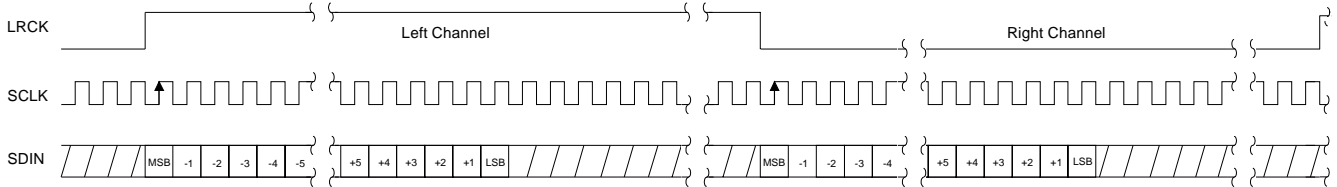


Figure 8. Left-Justified up to 24-Bit Data

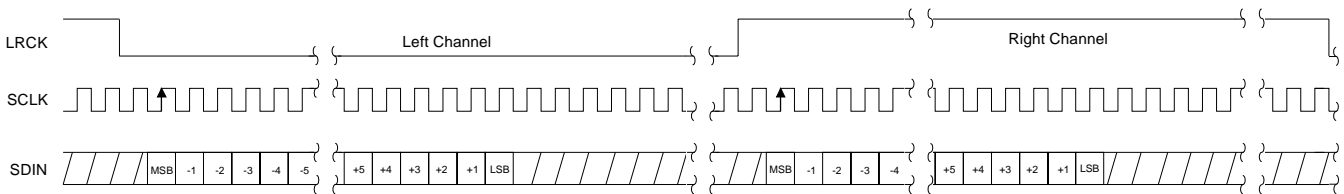


Figure 9. I²S, up to 24-Bit Data

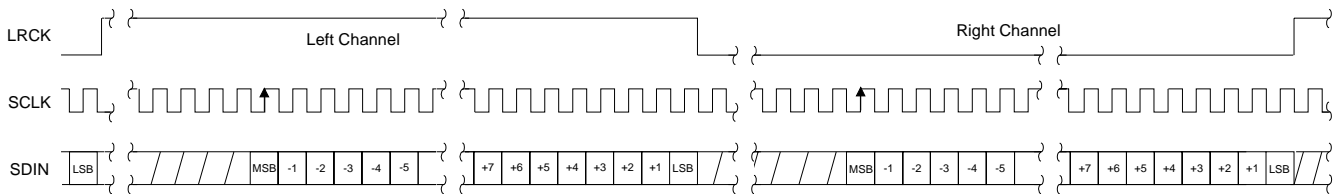


Figure 10. Right-Justified Data

4.3.1 Time-Division Multiplex (TDM) Mode

Four TDM interface modes are available that allow the CS4350 to input stereo PCM data in one of 4 time “slots”. [Figure 11](#) shows the serial port connections necessary to input 8-channel TDM data into four CS4350 devices, and the corresponding DIF[2:0] pin or register-bit settings required for each CS4350. [Figure 12](#) shows the TDM data format for each of the four CS4350 devices shown in [Figure 11](#).

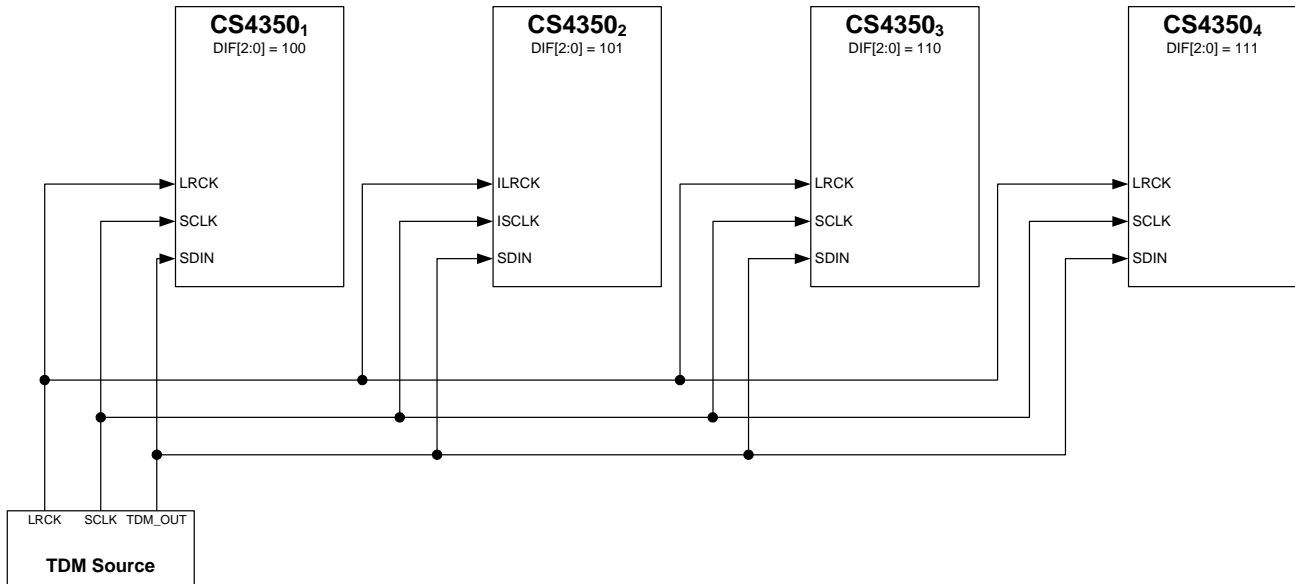


Figure 11. TDM Mode Connection Diagram

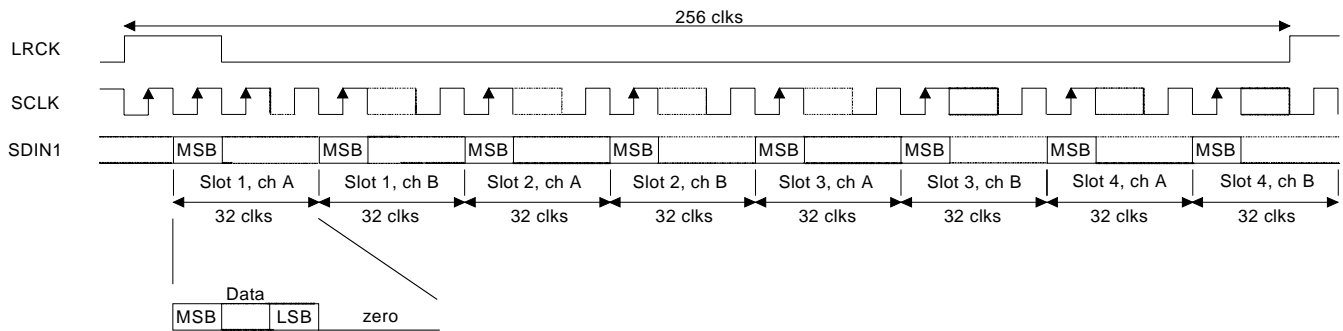


Figure 12. TDM Mode Timing

4.4 De-Emphasis

The device includes on-chip digital de-emphasis. Figure 13 shows the de-emphasis curve for F_s equal to 44.1 kHz. The frequency response of the de-emphasis curve will scale proportionally with changes in sample rate, F_s .

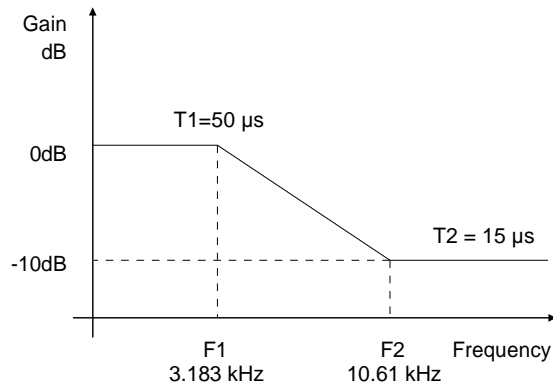


Figure 13. De-Emphasis Curve

Note: De-emphasis is only available in Single-Speed Mode.

4.5 Mute Control

The mute control pins ($\overline{\text{AMUTE C}}$ and $\overline{\text{BMUTE C}}$) go active during power-up initialization, reset, muting (see Section 8.4.3), and loss of LRCK. These pins are intended to be used as control for external mute circuits to prevent the clicks and pops that can occur in any single-ended single-supply system.

Use of the mute control function is not mandatory but recommended for designs requiring the absolute minimum in extraneous clicks and pops. Also, use of the Mute Control function can enable the system designer to achieve idle-channel noise and signal-to-noise ratios which are only limited by the external mute circuit.

4.6 Recommended Power-Up Sequence

4.6.1 Stand-Alone Mode

1. Hold $\overline{\text{RST}}$ low until the power supplies and configuration pins are stable, and the master and left/right clocks are fixed to the appropriate frequencies, as discussed in Section 4.2. In this state, the control port registers are reset to their default settings, VQ will remain low, and VBIAS will be connected to VA.
2. Bring $\overline{\text{RST}}$ high. The device will remain in a low power state with VQ low for approximately 512 LRCK cycles in Single-Speed Mode (1024 LRCK cycles in Double-Speed Mode, and 2048 LRCK cycles in Quad-Speed Mode).
3. The device will then initiate the power up sequence which lasts approximately 50 μs when the Popguard is disabled. If the Popguard is enabled, see Section 4.7 for a complete description of power-up timing.

4.6.2 Control Port Mode

1. Hold $\overline{\text{RST}}$ low until the power supply is stable and the left/right clock is fixed to the appropriate frequency, as discussed in Section 4.2. In this state, the control port is reset to its default settings, VQ will remain low, and VBIAS will be connected to VA.

2. Bring $\overline{\text{RST}}$ high. The device will remain in a low-power state with VQ low.
3. Perform a control port write to a valid register prior to the completion of approximately 512 LRCK cycles in Single-Speed Mode (1024 LRCK cycles in Double-Speed Mode, and 2048 LRCK cycles in Quad-Speed Mode). The desired register settings can be loaded while keeping the PDN bit set to 1.
4. Set the PDN bit to 0. This will initiate the power-up sequence, which lasts approximately 50 μs when the Popguard is disabled. If the Popguard is enabled, see [Section 4.7](#) for a complete description of power-up timing.

4.7 Popguard® Transient Control

The CS4350 uses a novel technique to minimize the effects of output transients during power-up and power-down. This technology, when used with external DC-blocking capacitors in series with the audio outputs, minimizes the audio transients commonly produced by single-ended single-supply converters. It is activated inside the DAC when the $\overline{\text{RST}}$ pin is toggled and requires no other external control, aside from choosing the appropriate DC-blocking capacitors.

4.7.1 Power-Up

When the device is initially powered-up, the audio outputs, AOUTA and AOUTB, are clamped to GND. Following a delay of approximately 1000 sample periods, each output begins to ramp toward the quiescent voltage. Approximately 10,000 LRCK cycles later, the outputs reach V_Q and audio output begins. This gradual voltage ramping allows time for the external DC-blocking capacitors to charge to the quiescent voltage, minimizing audible power-up transients.

4.7.2 Power-Down

To prevent audible transients at power-down, the device must first enter its power-down state. When this occurs, audio output ceases and the internal output buffers are disconnected from AOUTA and AOUTB. In their place, a soft-start current sink is substituted which allows the DC-blocking capacitors to slowly discharge. Once this charge is dissipated, the power to the device may be turned off, and the system is ready for the next power-on.

4.7.3 Discharge Time

To prevent an audio transient at the next power-on, the DC-blocking capacitors must fully discharge before turning on the power or exiting the power-down state. If full discharge does not occur, a transient will occur when the audio outputs are initially clamped to GND. The time that the device must remain in the power-down state is related to the value of the DC-blocking capacitance and the output load. For example, with a 3.3 μF capacitor, the minimum power-down time will be approximately 0.4 seconds.

4.8 Analog Output and Filtering

The Cirrus Application Note titled *Design Notes for a 2-Pole Filter with Differential Input*, available as AN48 at www.cirrus.com, discusses the second-order Butterworth filter and differential-to-single-ended converter that was implemented on the CS4350 evaluation board, CDB4350. Figure 14 illustrates this implementation. If only single-ended outputs from the CS4350 are required, the passive output filter shown in Figure 15 can be used.

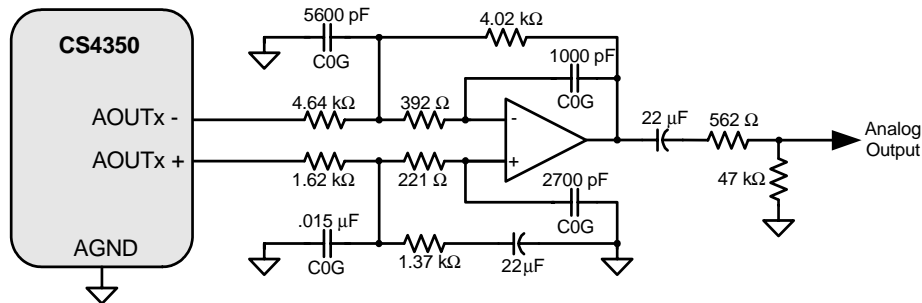


Figure 14. Differential to Single-ended Output Filter

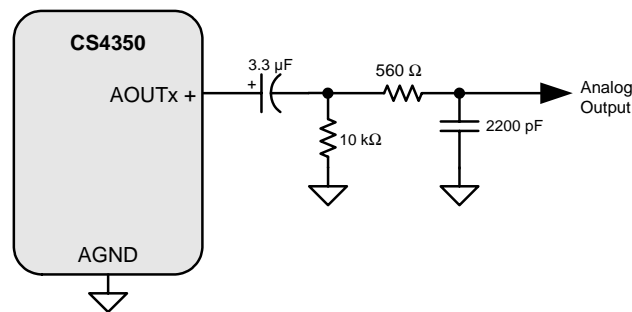


Figure 15. Passive Single-Ended Output Filter

4.9 Grounding and Power Supply Arrangements

As with any high-resolution converter, the CS4350 requires careful attention to power supply and grounding arrangements if its potential performance is to be realized. Figure 7 shows the recommended power arrangements, with VA, VLC, and VLS connected to clean supplies. The use of split analog and digital ground planes is not recommended. However, if planes are split between digital ground and analog ground the GND pins of the CS4350 should be connected to the analog ground plane.

All signals, especially clocks, should be kept away from the VBIAS, VFILT, and VQ pins in order to avoid unwanted coupling into the DAC.

4.9.1 Capacitor Placement

Decoupling capacitors should be placed as close to the DAC as possible, with the low value ceramic capacitor being the closest. To further minimize impedance, these capacitors should be located on the same layer as the DAC. If desired, all supply pins may be connected to the same supply, but a decoupling capacitor should still be placed on each supply pin.

Note: All decoupling capacitors should be referenced to analog ground.

The CDB4350 evaluation board demonstrates the optimum layout and power supply arrangements.

5. STAND-ALONE OPERATION

5.1 Serial Port Format Selection

The desired serial audio format is selected with the DIF2, DIF1 and DIF0 pins. For an explanation of the required relationship between the LRCK, SCLK and SDIN, see [Figures 8-10](#). For all formats, SDIN is valid on the rising edge of SCLK. TDM Mode requires the selection of which stereo pair time “slot” is used to output data as shown in [Table 3](#) and [Figure 12](#).

DIF2	DIF1	DIF0	DESCRIPTION	FORMAT	FIGURE
0	0	0	Left-Justified, up to 24-bit data	0	9
0	0	1	I ² S, up to 24-bit data	1	8
0	1	0	Right-Justified, 16-bit data	2	10
0	1	1	Right-Justified, 24-bit data	3	10
1	0	0	TDM slot 0	4	12
1	0	1	TDM slot 1	5	12
1	1	0	TDM slot 2	6	12
1	1	1	TDM slot 3	7	12

Table 3. Digital Interface Format - Stand-Alone Mode

5.2 De-emphasis Control

When pulled to VLC, the DEM pin activates the 44.1 kHz de-emphasis filter. When pulled to GND, the DEM pin turns off the de-emphasis filter.

5.3 Popguard® Transient Control

In Stand-Alone Mode, Popguard is enabled by default. Popguard can be defeated in Stand-Alone Mode by placing a 47 kΩ resistor between RMCK and VLS.

6. CONTROL PORT OPERATION

The control port is used to load all the internal register settings (see "Register Description" on page 28). The operation of the control port may be completely asynchronous with the audio sample rate. However, to avoid potential interference problems, the control port pins should remain static if no operation is required.

The control port can operate in I²C or SPI mode.

6.1 MAP Auto Increment

The device has a MAP (memory address pointer) auto-increment capability enabled by the INCR bit (also the MSB) of the MAP. If INCR is set to 0, MAP will stay constant for consecutive writes or reads. If INCR is set to 1, MAP will auto increment after each byte is read or written, allowing block reads or writes of consecutive registers.

6.2 I²C Mode

In the I²C Mode, data is clocked into and out of the bi-directional serial control data line, SDA, by the serial control port clock, SCL (see Figure 16 for the clock to data relationship). There is no \overline{CS} pin. AD1 and AD0 enable the user to alter the chip address (10010[AD1][AD0][R/W]) and should be tied to V_{LC} or GND as required before powering up the device. SPI Mode will be selected if the device ever detects a high to low transition on the AD0/ \overline{CS} pin after power-up.

6.2.1 I²C Write

To write to the device, follow the procedure below while adhering to the control port Switching Specifications in "Switching Characteristics - Control Port - I²C Format" on page 13.

1. Initiate a START condition to the I²C bus followed by the address byte. The upper 5 bits must be 10010. The sixth and seventh bit must match the settings of the AD1 and AD0 pins respectively, and the eighth must be 0 (the eighth bit of the address byte is the R/W bit).
2. Wait for an acknowledge (ACK) from the part, then write to the memory address pointer, MAP. This byte points to the register to be written.
3. Wait for an acknowledge (ACK) from the part, then write the desired data to the register pointed to by the MAP.
4. If the INCR bit (see Section 6.1) is set to 1, repeat the previous step until all the desired registers are written, then initiate a STOP condition to the bus.
5. If the INCR bit is set to 0 and further I²C writes to other registers are desired, it is necessary to initiate a repeated START condition and follow the procedure detailed from step 1. If no further writes to other registers are desired, initiate a STOP condition to the bus.

6.2.2 I²C Read

To read from the device, follow the procedure below while adhering to the control port switching specifications in "Switching Characteristics - Control Port - I²C Format" on page 13.

1. Initiate a START condition to the I²C bus followed by the address byte. The upper 5 bits must be 10010. The sixth and seventh bits must match the setting of the AD1 and AD0 pins, respectively, and the eighth must be 1. The eighth bit of the address byte is the R/W bit.
2. After transmitting an acknowledge (ACK), the device will then transmit the contents of the register pointed to by the MAP. The MAP register will contain the address of the last register written to the

MAP or the default address (see [Section 6.4.2](#)) if an I²C read is the first operation performed on the device.

3. Once the device has transmitted the contents of the register pointed to by the MAP, issue an ACK.
4. If the INCR bit is set to 1, the device will continue to transmit the contents of successive registers. Continue providing a clock and issue an ACK after each byte until all the desired registers are read; then initiate a STOP condition to the bus.
5. If the INCR bit is set to 0 and further I²C reads from other registers are desired, it is necessary to initiate a repeated START condition and follow the procedure detailed from steps 1 and 2 from the I²C Write instructions, followed by step 1 of the I²C Read section. If no further reads from other registers are desired, initiate a STOP condition to the bus.

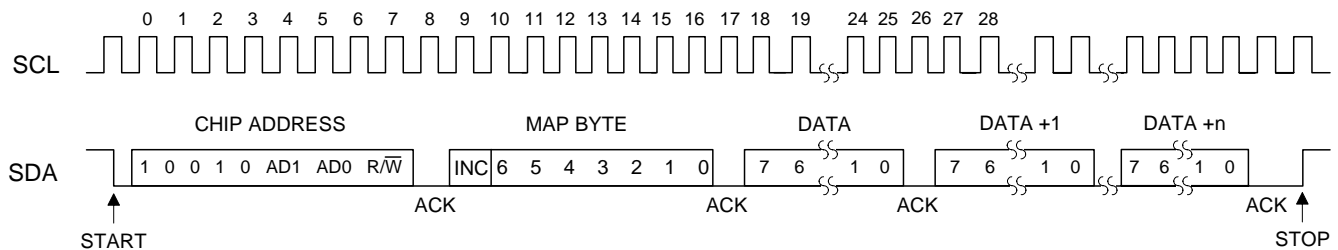


Figure 16. Control Port Timing, I²C Mode

6.3 SPI Mode

In SPI Mode, data is clocked into the serial control data line, CDIN, by the serial control port clock, CCLK (see [Figure 17](#) for the clock to data relationship). There are no AD0 or AD1 pins. Pin \overline{CS} is the chip select signal and is used to control SPI writes to the control port. When the device detects a high-to-low transition on the AD0/ \overline{CS} pin after power-up, SPI Mode will be selected. All signals are inputs and data is clocked in on the rising edge of CCLK.

6.3.1 SPI Write

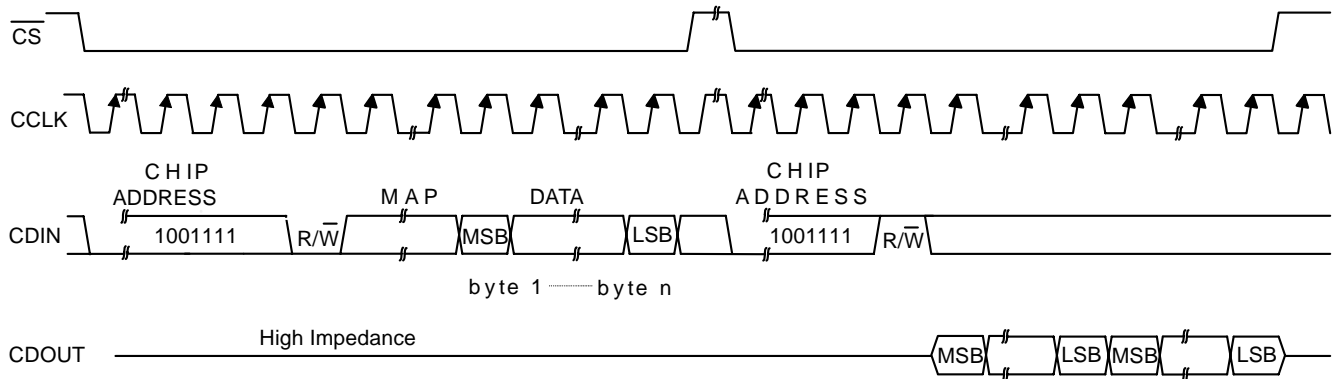
To write to the device, follow the procedure below while adhering to the control port switching specifications in "[Switching Characteristics - Control Port - SPI Format](#)" on page 14.

1. Bring CS low.
2. The address byte on the CDIN pin must then be 10011110 ($R/\overline{W} = 0$).
3. Write to the memory address pointer, MAP. This byte points to the register to be written.
4. Write the desired data to the register pointed to by the MAP.
5. If the INCR bit (see [Section 6.1](#)) is set to 1, repeat the previous step until all the desired registers are written, then bring CS high.
6. If the INCR bit is set to 0 and further SPI writes to other registers are desired, it is necessary to bring \overline{CS} high, and follow the procedure detailed from step 1. If no further writes to other registers are desired, bring \overline{CS} high

6.3.2 SPI Read

To read from the device, follow the procedure below while adhering to the values specified in "Switching Characteristics - Control Port - SPI Format" on page 14.

1. Bring \overline{CS} low.
2. The address byte on the CDIN pin must then be 10011111 ($R/\overline{W} = 1$).
3. CDOUT pin will then output the data from the register pointed to by the MAP, which is set during the SPI write operation.
4. If the INCR bit (see Section 6.1) is set to 1, keep \overline{CS} low and continue providing clocks on CCLK to read from multiple consecutive registers. Bring \overline{CS} high when reading is complete.
5. If the INCR bit is set to 0 and further SPI reads from other registers are desired, it is necessary to bring \overline{CS} high, and follow the procedure detailed from step 1. If no further reads from other registers are desired, bring \overline{CS} high.



MAP = Memory Address Pointer, 8 bits, MSB first

Figure 17. Control Port Timing, SPI Mode

6.4 Memory Address Pointer (MAP)

7	6	5	4	3	2	1	0
INCR	Reserved	Reserved	Reserved	MAP3	MAP2	MAP1	MAP0
0	0	0	0	0	0	0	0

6.4.1 INCR (Auto Map Increment Enable)

Default = '0'
 0 - Disabled
 1 - Enabled

6.4.2 MAP (Memory Address Pointer)

Default = '0000'

7. REGISTER QUICK REFERENCE

Addr	Function	7	6	5	4	3	2	1	0
1h	Chip ID default	PART4 1	PART3 1	PART2 1	PART1 1	PART0 0	REV2 -	REV1 -	REV0 -
2h	Mode Control default	Reserved 0	DIF2 0	DIF1 0	DIF0 0	DEM1 0	DEM0 0	FM1 0	FM0 0
3h	Volume, Mixing, and Inversion Control default	VOLB=A 0	INVERTA 0	INVERTB 0	Reserved 0	ATAPI3 1	ATAPI2 0	ATAPI1 0	ATAPI0 1
4h	Mute Control default	AMUTE 1	Reserved 0	MUTEC A=B 0	MUTE_A 0	MUTE_B 0	Reserved 0	Reserved 0	Reserved 1
5h	Channel A Volume Control default	VOL7 0	VOL6 0	VOL5 0	VOL4 0	VOL3 0	VOL2 0	VOL1 0	VOL0 0
6h	Channel B Volume Control default	VOL7 0	VOL6 0	VOL5 0	VOL4 0	VOL3 0	VOL2 0	VOL1 0	VOL0 0
7h	Ramp and Filter Control default	SZC1 1	SZC0 0	RMP_UP 1	RMP_DN 1	Reserved 0	FILT_SEL 0	Reserved 0	Reserved 1
8h	Misc. Control default	PDN 0	Reserved 0	FREEZE 0	POPG_EN 1	RMCK_ CTRL1 0	RMCK_ CTRL0 0	R_ SELECT1 0	R_ SELECT0 0

8. REGISTER DESCRIPTION

** All register access is R/W unless specified otherwise**

8.1 Chip ID - Register 01h

7	6	5	4	3	2	1	0
PART4	PART3	PART2	PART1	PART0	REV2	REV1	REV0
1	1	1	1	0	-	-	-

Function:

This register is Read-Only. Bits 7 through 3 are the part number ID which is 11110b and the remaining Bits (2 through 0) are for the chip revision (Rev. A0 = 000)

8.2 Mode Control - Register 02h

7	6	5	4	3	2	1	0
Reserved	DIF2	DIF1	DIF0	DEM1	DEM0	FM1	FM0
0	0	0	0	0	0	0	0

8.2.1 Digital Interface Format (DIF[2:0]) Bits 6-4

Function:

These bits select the interface format for the serial audio input.

The required relationship between the Left/Right clock, serial clock and serial data is defined by the Digital Interface Format and the options are detailed in [Figures 8-10](#).

DIF2	DIF1	DIF0	Description	Format	Figure
0	0	0	Left-Justified, up to 24-bit data	0 (Default)	8
0	0	1	I ² S, up to 24-bit data	1	9
0	1	0	Right-Justified, 16-bit data	2	10
0	1	1	Right-Justified, 24-bit data	3	10
1	0	0	TDM slot 0	4	12
1	0	1	TDM slot 1	5	12
1	1	0	TDM slot 2	6	12
1	1	1	TDM slot 3	7	12

Table 4. Digital Interface Formats

8.2.2 De-Emphasis Control (DEM[1:0]) Bits 3-2

Default = 0

- 00 - No De-emphasis
- 01 - 44.1 kHz De-emphasis
- 10 - 48 kHz De-emphasis
- 11 - 32 kHz De-emphasis

Function:

Selects the appropriate digital filter to maintain the standard 15 μ s/50 μ s digital de-emphasis filter response at 32, 44.1 or 48 kHz sample rates. (See [Figure 18](#))

Note: De-emphasis is only available in Single-Speed Mode

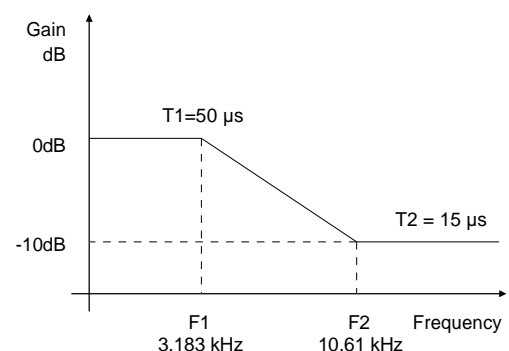


Figure 18. De-Emphasis Curve

8.2.3 Functional Mode (FM[1:0]) Bits 1-0

Default = 00

- 00 - Auto speed mode detect
- 01 - Single-Speed Mode (30 to 54 kHz sample rates)
- 10 - Double-Speed Mode (50 to 108 kHz sample rates)
- 11 - Quad-Speed Mode (100 to 216 kHz sample rates)

Function:

Selects the required range of input sample rates or auto speed mode.

8.3 Volume Mixing and Inversion Control - Register 03h

7	6	5	4	3	2	1	0
VOLB=A	INVERT_A	INVERT_B	Reserved	ATAPI3	ATAPI2	ATAPI1	ATAPI0
0	0	0	0	1	0	0	1

8.3.1 Channel A Volume = Channel B Volume (VOLB=A) Bit 7

Function:

When set to 0 (default), the AOUTA and AOUTB volume levels are independently controlled by the A and the B Channel Volume Control Bytes.

When set to 1, the volume on both AOUTA and AOUTB are determined by the A Channel Attenuation and Volume Control Bytes, and the B Channel Bytes are ignored.

8.3.2 Invert Signal Polarity (INVERT_A) Bit 6

Function:

When set to 1, this bit inverts the signal polarity of channel A.

When set to 0 (default), this function is disabled.

8.3.3 Invert Signal Polarity (INVERT_B) Bit 5

Function:

When set to 1, this bit inverts the signal polarity of channel B.

When set to 0 (default), this function is disabled.

8.3.4 ATAPI Channel Mixing and Muting (ATAPI[3:0]) Bits 3-0

Default = 1001 - AOUTA=aL, AOUTB=bR (Stereo)

Function:

The CS4350 implements the channel mixing functions of the ATAPI CD-ROM specification. Refer to [Table 5](#) and [Figure 19](#) for additional information.

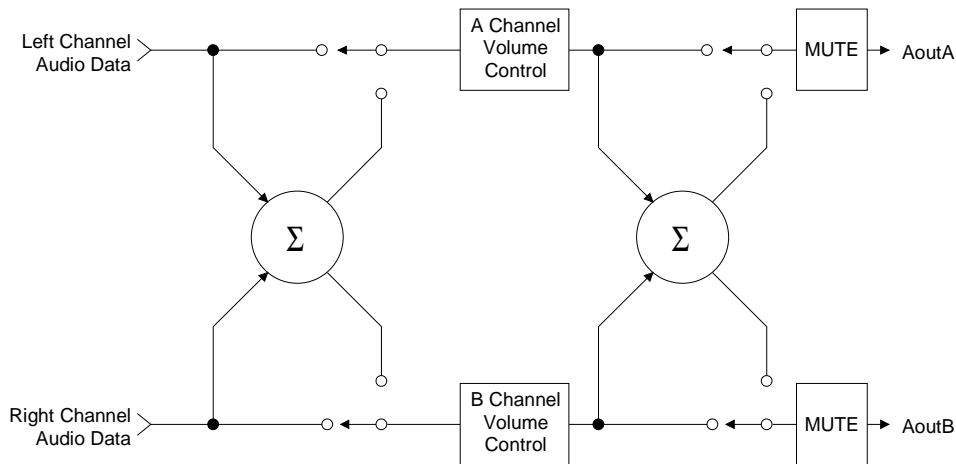


Figure 19. ATAPI Block Diagram

ATAPI_A1	ATAPI_A0	ATAPI_B1	ATAPI_B0	AOUTA	AOUTB
0	0	0	0	MUTE	MUTE
0	0	0	1	MUTE	bR
0	0	1	0	MUTE	bL
0	0	1	1	MUTE	$b[(L+R)/2]$
0	1	0	0	aR	MUTE
0	1	0	1	aR	bR
0	1	1	0	aR	bL
0	1	1	1	aR	$b[(L+R)/2]$
1	0	0	0	aL	MUTE
1	0	0	1	aL	bR
1	0	1	0	aL	bL
1	0	1	1	aL	$b[(L+R)/2]$
1	1	0	0	$a[(L+R)/2]$	MUTE
1	1	0	1	$a[(L+R)/2]$	bR
1	1	1	0	$a[(L+R)/2]$	bL
1	1	1	1	$a[(L+R)/2]$	$b[(L+R)/2]$

Table 5. ATAPI Decode

8.4 Mute Control - Register 04h

7	6	5	4	3	2	1	0
AMUTE	Reserved	MUTE A=B	MUTE_A	MUTE_B	Reserved	Reserved	Reserved
1	0	0	0	0	0	0	0

8.4.1 Auto-Mute (AMUTE) Bit 7

Function:

When set to 1 (default), the Digital-to-Analog converter output will mute following the reception of 8192 consecutive audio samples of static 0 or -1. A single sample of non-static data will release the mute. Detection and muting is done independently for each channel. The quiescent voltage on the output will be retained and the Mute Control pin will go active during the mute period.

When set to 0, this function is disabled

8.4.2 AMUTEC = BMUTEC (MUTEC A=B) Bit 5

Function:

When set to 0 (default) the AMUTEC and BMUTEC pins operate independently.

When set to 1, the individual controls for AMUTEC and BMUTEC are internally connected through an AND gate prior to the output pins. Therefore, the external AMUTEC and BMUTEC pins will go active only when the requirements for both AMUTEC and BMUTEC are valid.

8.4.3 Channel A Mute (MUTE_A) Bit 4 & Channel B Mute (MUTE_B) Bit 3

Function:

When set to 1, the Digital-to-Analog converter output will mute. The quiescent voltage on the output will be retained. The muting function is effected, similar to attenuation changes, by the Soft and Zero Cross bits in the Volume and Mixing Control register. The corresponding MUTEC pin will go active following any ramping due to the soft and zero cross function.

When set to 0 (default), this function is disabled.

8.5 Channel A & B Volume Control - Register 05h & 06h

7	6	5	4	3	2	1	0
VOL7	VOL6	VOL5	VOL4	VOL3	VOL2	VOL1	VOL0
0	0	0	0	0	0	0	0

Digital Volume Control (VOL[7:0]) Bits 7-0

Default = 00h (0 dB)

Function:

The Digital Volume Control registers allow independent control of the signal levels in 1/2 dB increments from 0 to -127.5 dB. Volume settings are decoded as shown in [Table 6](#). The volume changes are implemented as dictated by the Soft and Zero Cross bits in the Power and Muting Control register. The actual attenuation is determined by taking the decimal value of the volume register and multiplying by 6.02/12.

Binary Code	Decimal Value	Volume Setting
00000000	0	0 dB
00000001	1	-0.5 dB
00000110	6	-3.0 dB
11111111	255	-127.5 dB

Table 6. Example Digital Volume Settings

8.6 Ramp and Filter Control - Register 07h

7	6	5	4	3	2	1	0
SZC1	SZC0	RMP_UP	RMP_DN	Reserved	FILT_SEL	Reserved	Reserved
1	0	1	1	0	0	0	1

8.6.1 Soft Ramp and Zero Cross Control (SZC[1:0]) Bits 7-6

Default = 10

SZC1	SZC0	Description
0	0	Immediate Change
0	1	Zero Cross
1	0	Soft Ramp
1	1	Soft Ramp on Zero Crossings

Function:

Immediate Change

When Immediate Change is selected all level changes will take effect immediately in one step.

Zero Cross

Zero Cross Enable dictates that signal level changes, either by attenuation changes or muting, will occur on a signal zero crossing to minimize audible artifacts. The requested level change will occur after a time-out period between 512 and 1024 sample periods (10.7 ms to 21.3 ms at 48 kHz sample rate) if the signal does not encounter a zero crossing. The zero cross function is independently monitored and implemented for each channel.

Soft Ramp PCM

Soft Ramp allows level changes, both muting and attenuation, to be implemented by incrementally ramping, in 1/8 dB steps, from the current level to the new level at a rate of 1 dB per 8 left/right clock periods.

Soft Ramp and Zero Cross

Soft Ramp and Zero Cross Enable dictate that signal level changes, either by attenuation changes or muting, will occur in 1/8 dB steps and be implemented on a signal zero crossing. The 1/8 dB level change will occur after a time-out period between 512 and 1024 sample periods (10.7 ms to 21.3 ms at 48 kHz sample rate) if the signal does not encounter a zero crossing. The zero cross function is independently monitored and implemented for each channel.

8.6.2 **Soft Volume Ramp-Up after Error (RMP_UP) Bit 5**

Function:

When set to 1 (default), an un-mute will be performed after executing a filter mode change, after LRCK is lost, and after changing the Functional Mode. This un-mute is affected, similar to attenuation changes, by the Soft and Zero Cross bits in the Volume and Mixing Control register.

When set to 0, an immediate un-mute is performed in these instances.

Note: For best results, it is recommended that this feature be used in conjunction with the RMP_DN bit.

8.6.3 **Soft Ramp-Down before Filter Mode Change (RMP_DN) Bit 4**

Function:

When set to 1 (default), a mute will be performed prior to executing a filter mode change. This mute is affected, similar to attenuation changes, by the Soft and Zero Cross bits in the Volume and Mixing Control register.

When set to 0, an immediate mute is performed prior to executing a filter mode change.

Note: For best results, it is recommended that this feature be used in conjunction with the RMP_UP bit.

8.6.4 **Interpolation Filter Select (FILT_SEL) Bit 2**

Function:

When set to 0 (default), the Interpolation Filter has a fast roll off.

When set to 1, the Interpolation Filter has a slow roll off.

The specifications for each filter can be found in the ["Combined Interpolation & On-Chip Analog Filter Response" on page 11](#), and response plots can be found in [Figures 22 through 27](#).

8.7 **Misc. Control - Register 08h**

7	6	5	4	3	2	1	0
PDN	Reserved	FREEZE	POPG_EN	RMCK_CTRL1	RMCK_CTRL0	R_SELECT1	R_SELECT0
0	0	0	1	0	0	0	0

8.7.1 **Power Down (PDN) Bit 7**

Function:

When set to 1 the entire device will enter a low-power state and the contents of the control registers will be retained. The power-down bit defaults to '0' on power-up.

8.7.2 **Freeze Controls (FREEZE) Bit 5**

Function:

When set to 1, this function allows modifications to be made to the registers without the changes taking effect until FREEZE is set back to 0. To make multiple changes in the Control Port registers take effect simultaneously, enable the FREEZE bit, make all register changes, then disable the FREEZE bit.

When set to 0 (default), register changes take effect immediately.

8.7.3 Popguard Enable (POPG_EN) Bit 4

Function:

When set to 1, (default) the Device will initiate a ramping function as outlined in [Section 4.7 on page 21](#). When set to 0, the outputs will step to VQ upon release of PDN.

8.7.4 RMCK control (RMCK_CTR[1:0]) Bits 3:2

Default = 00

RMCK_CTR1	RMCK_CTR0	Mode
0	0	256x LRCK for 48 kHz and 96 kHz, 128x @ 192kHz
0	1	512x @ 48kHz, 256x @ 96 kHz, 128x @ 192kHz
1	0	Manual control (see RMCK_RATIO)
1	1	RMCK off

Function: These bits set the function of the RMCK pin with respect to the LRCK.

8.7.5 RMCK Ratio Select (R_SELECT[1:0]) Bits 2:1

Default = 00

Function: To select the RMCK-to-LRCK ratio.

R_SELECT1	R_SELECT0	RMCK/LRCK Ratio
0	0	512
0	1	256
1	0	128
1	1	64

Note: RMCK_CTR must be set to 10 to enable this function. Please note the maximum RMCK output frequency as specified in the ["Switching Specifications - Serial Audio Interface"](#) on page 12.

9. FILTER PLOTS

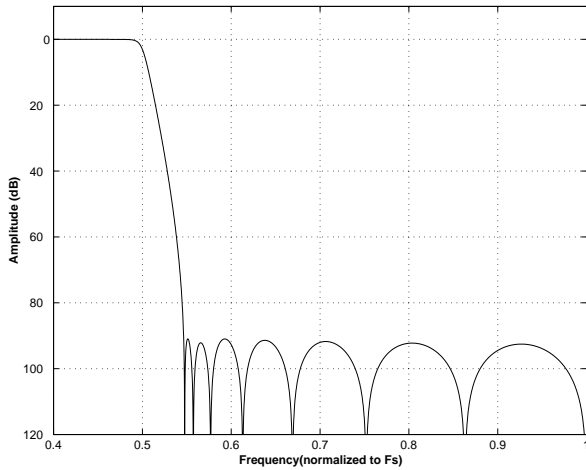


Figure 20. Stopband Rejection (fast), all Modes

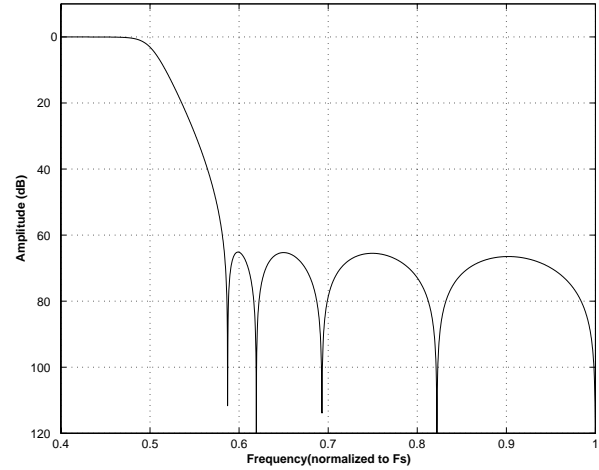


Figure 21. Stopband Rejection (slow), all Modes

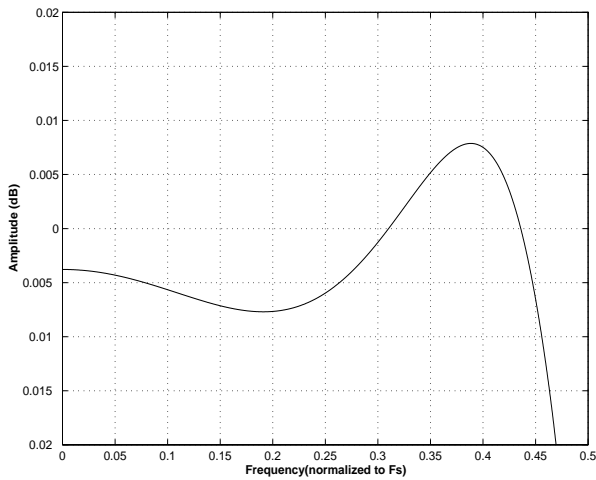


Figure 22. Single-Speed (fast) Passband Detail

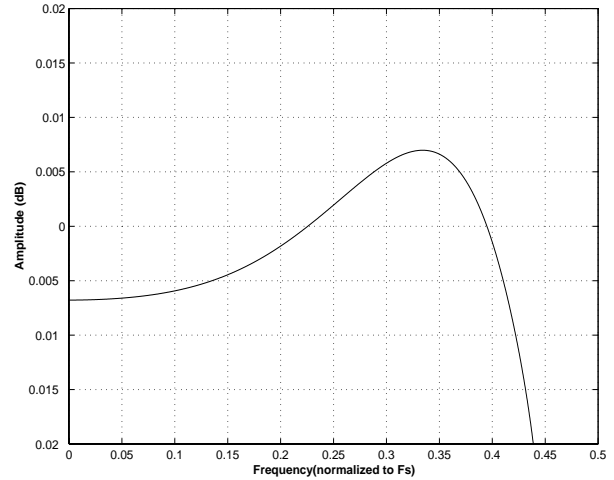


Figure 23. Single-Speed (slow) Passband Detail

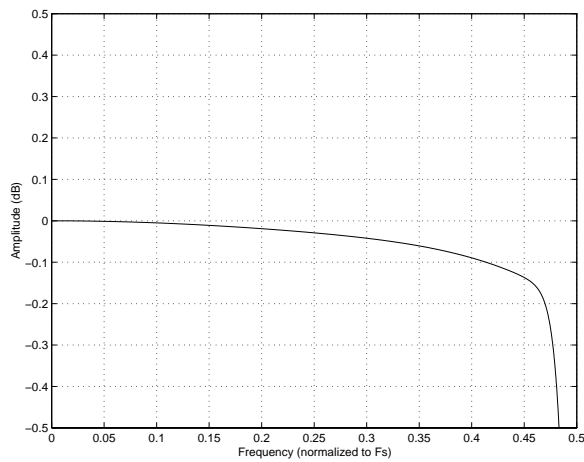


Figure 24. Double-Speed (fast) Passband Detail

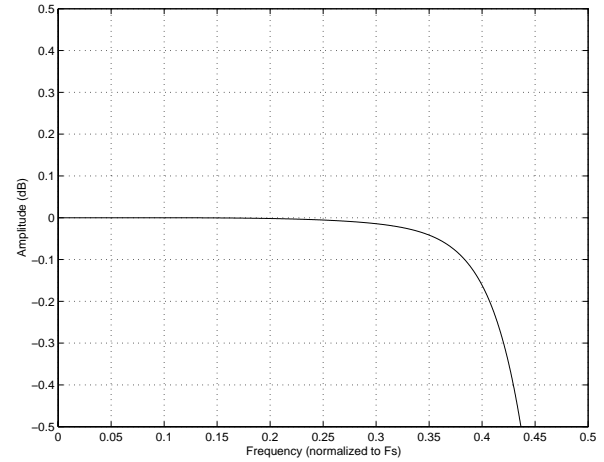


Figure 25. Double-Speed (slow) Passband Detail

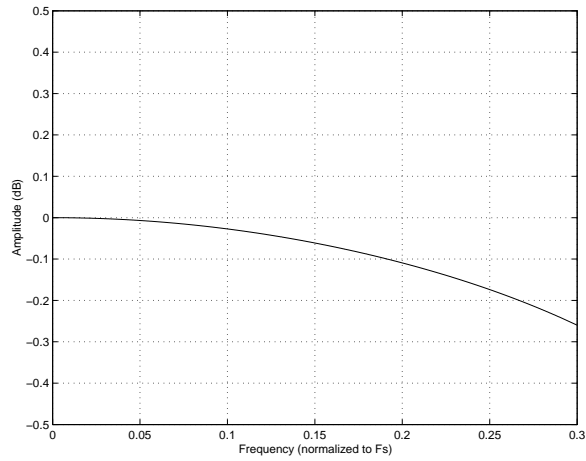


Figure 26. Quad-Speed (fast) Passband Detail

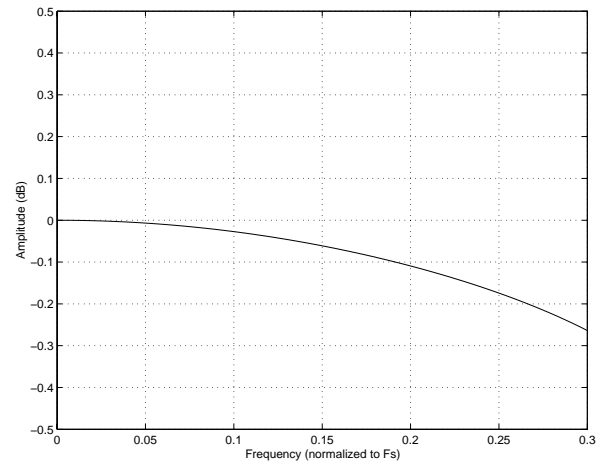


Figure 27. Quad-Speed (slow) Passband Detail

10. PARAMETER DEFINITIONS

Total Harmonic Distortion + Noise (THD+N)

The ratio of the rms value of the signal to the rms sum of all other spectral components over the specified bandwidth (typically 10 Hz to 20 kHz), including distortion components. Expressed in decibels.

Dynamic Range

The ratio of the full scale rms value of the signal to the rms sum of all other spectral components over the specified bandwidth. Dynamic range is a signal-to-noise measurement over the specified bandwidth made with a -60 dBFS signal. 60 dB is then added to the resulting measurement to refer the measurement to full scale. This technique ensures that the distortion components are below the noise level and do not effect the measurement. This measurement technique has been accepted by the Audio Engineering Society, AES17-1991, and the Electronic Industries Association of Japan, EIAJ CP-307.

Interchannel Isolation

A measure of crosstalk between the left and right channels. Measured for each channel at the converter's output with all zeros to the input under test and a full-scale signal applied to the other channel. Units in decibels.

Interchannel Gain Mismatch

The gain difference between left and right channels. Units in decibels.

Gain Error

The deviation from the nominal full scale analog output for a full scale digital input.

Gain Drift

The change in gain value with temperature. Units in ppm/°C.

Intra-Channel Phase Deviation

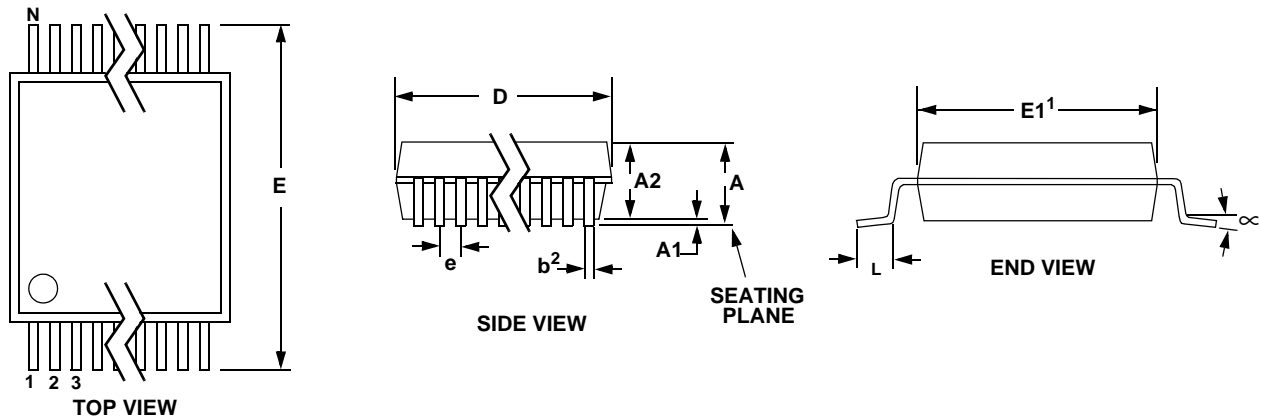
The deviation from linear phase within a given channel.

Inter-Channel Phase Deviation

The difference in phase between channels.

11. PACKAGE DIMENSIONS

24L TSSOP (4.4 mm BODY) PACKAGE DRAWING



DIM	INCHES			MILLIMETERS			NOTE
	MIN	NOM	MAX	MIN	NOM	MAX	
A	--	--	0.043	--	--	1.10	
A1	0.002	0.004	0.006	0.05	--	0.15	
A2	0.03346	0.0354	0.037	0.85	0.90	0.95	
b	0.00748	0.0096	0.012	0.19	0.245	0.30	2,3
D	0.303	0.307	0.311	7.70	7.80	7.90	1
E	0.248	0.2519	0.256	6.30	6.40	6.50	
E1	0.169	0.1732	0.177	4.30	4.40	4.50	1
e	--	0.026 BSC	--	--	0.65 BSC	--	
L	0.020	0.024	0.028	0.50	0.60	0.70	
μ	0°	4°	8°	0°	4°	8°	

JEDEC #: MO-153

Controlling Dimension is Millimeters.

1. "D" and "E1" are reference datums and do not include mold flash or protrusions, but do include mold mismatch and are measured at the parting line, mold flash or protrusions shall not exceed 0.20 mm per side.
2. Dimension "b" does not include dambar protrusion/intrusion. Allowable dambar protrusion shall be 0.13 mm total in excess of "b" dimension at maximum material condition. Dambar intrusion shall not reduce dimension "b" by more than 0.07 mm at least material condition.
3. These dimensions apply to the flat section of the lead between 0.10 and 0.25 mm from lead tips.

THERMAL CHARACTERISTICS

Parameters		Symbol	Min	Typ	Max	Units
Package Thermal Resistance	Single-Layer PCB	θ_{JA}	-	70	-	°C/Watt
	Multi-Layer PCB			105		

12. ORDERING INFORMATION

Product	Description	Package	Pb-Free	Grade	Temp Range	Container	Order#
CS4350	192 kHz Stereo DAC with Integrated PLL	24-TSSOP	YES	Commercial	-10° to +70°C	Rail	CS4350-CZZ
						Tape and Reel	CS4350-CZZR
				Automotive	-40° to +85°C	Rail	CS4350-DZZ
						Tape and Reel	CS4350-DZZR
CDB4350	Evaluation Board for CS4350		-	-	-	-	CDB4350

13. REVISION HISTORY

Release	Changes
A1	Advance Datasheet
A2	-Changed description of TSTO pin in “Pin Description” on page 7 and “Typical Connection Diagram” on page 16. -Corrected Full-Scale Voltage in “DAC Analog Characteristics (Continued)” on page 9 -Changed base address in “I ² C Mode” on page 24 and “SPI Mode” on page 25.
A3	Corrected typographical error in chip address shown in Section 6.2 on page 24. Corrected typographical error in value stated for the upper five bits in Section 6.2.1 on page 24.

Contacting Cirrus Logic Support

For all product questions and inquiries, contact a Cirrus Logic Sales Representative.

To find one nearest you, go to www.cirrus.com

IMPORTANT NOTICE

"Advance" product information describes products that are in development and subject to development changes. Cirrus Logic, Inc. and its subsidiaries ("Cirrus") believe that the information contained in this document is accurate and reliable. However, the information is subject to change without notice and is provided "AS IS" without warranty of any kind (express or implied). Customers are advised to obtain the latest version of relevant information to verify, before placing orders, that information being relied on is current and complete. All products are sold subject to the terms and conditions of sale supplied at the time of order acknowledgment, including those pertaining to warranty, indemnification, and limitation of liability. No responsibility is assumed by Cirrus for the use of this information, including use of this information as the basis for manufacture or sale of any items, or for infringement of patents or other rights of third parties. This document is the property of Cirrus and by furnishing this information, Cirrus grants no license, express or implied under any patents, mask work rights, copyrights, trademarks, trade secrets or other intellectual property rights. Cirrus owns the copyrights associated with the information contained herein and gives consent for copies to be made of the information only for use within your organization with respect to Cirrus integrated circuits or other products of Cirrus. This consent does not extend to other copying such as copying for general distribution, advertising or promotional purposes, or for creating any work for resale.

CERTAIN APPLICATIONS USING SEMICONDUCTOR PRODUCTS MAY INVOLVE POTENTIAL RISKS OF DEATH, PERSONAL INJURY, OR SEVERE PROPERTY OR ENVIRONMENTAL DAMAGE ("CRITICAL APPLICATIONS"). CIRRUS PRODUCTS ARE NOT DESIGNED, AUTHORIZED OR WARRANTED FOR USE IN AIRCRAFT SYSTEMS, MILITARY APPLICATIONS, PRODUCTS SURGICALLY IMPLANTED INTO THE BODY, AUTOMOTIVE SAFETY OR SECURITY DEVICES, LIFE SUPPORT PRODUCTS OR OTHER CRITICAL APPLICATIONS. INCLUSION OF CIRRUS PRODUCTS IN SUCH APPLICATIONS IS UNDERSTOOD TO BE FULLY AT THE CUSTOMER'S RISK AND CIRRUS DISCLAIMS AND MAKES NO WARRANTY, EXPRESS, STATUTORY OR IMPLIED, INCLUDING THE IMPLIED WARRANTIES OF MERCHANTABILITY AND FITNESS FOR PARTICULAR PURPOSE, WITH REGARD TO ANY CIRRUS PRODUCT THAT IS USED IN SUCH A MANNER. IF THE CUSTOMER OR CUSTOMER'S CUSTOMER USES OR PERMITS THE USE OF CIRRUS PRODUCTS IN CRITICAL APPLICATIONS, CUSTOMER AGREES, BY SUCH USE, TO FULLY INDEMNIFY CIRRUS, ITS OFFICERS, DIRECTORS, EMPLOYEES, DISTRIBUTORS AND OTHER AGENTS FROM ANY AND ALL LIABILITY, INCLUDING ATTORNEYS' FEES AND COSTS, THAT MAY RESULT FROM OR ARISE IN CONNECTION WITH THESE USES.

Cirrus Logic, Cirrus, and the Cirrus Logic logo designs, and Popguard are trademarks of Cirrus Logic, Inc. All other brand and product names in this document may be trademarks or service marks of their respective owners.

I²C is a registered trademark of Philips Semiconductor

SPI is a trademark of Motorola, Inc.