

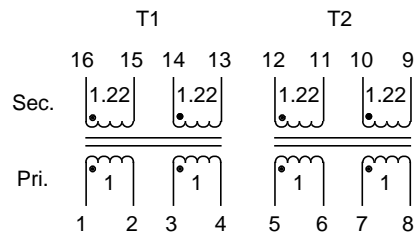
- Optimized for Texas Instrument's TMS380C60 or 30 •
- Impedance matching from 150Ω to 100Ω or vice versa •
 - Supports both UTP and STP Transmission •
- Robust Construction allows for severe soldering processes •
- Complies with or exceeds IEEE 802.5 Requirements •

Electrical Parameters @ 25° C

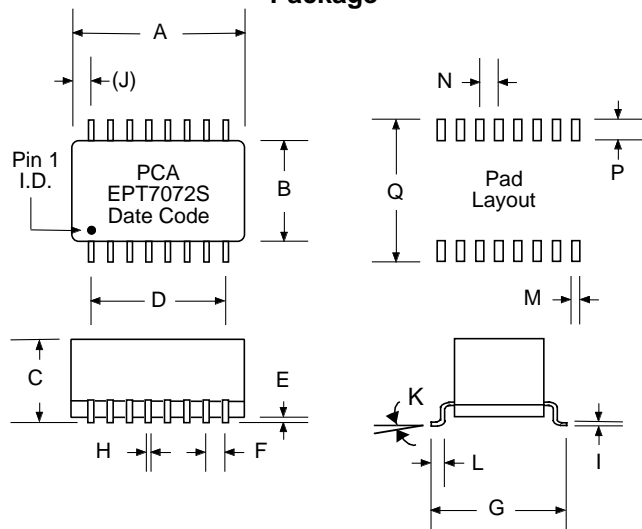
Primary OCL (μH Min.)	Interwinding Capacitance (pF Max.)	Leakage Inductance (μH Max.)	ET Product (VμS Min.)	Rise Time (nS Max.)	DCR (Ω Max.)	
					Pri.	Sec.
@ 100 KHz, 0.1 Vrms	@ 100 KHz, 0.1 Vrms	@ 100 KHz, 0.1 Vrms				
250 ± 30%	15	0.20	2.5	2.5	0.40	

- Isolation : 1500 Vrms •

Schematic



Package



Dimensions

Dim.	(Inches)			(Millimeters)		
	Min.	Max.	Nom.	Min.	Max.	Nom.
A	.440	.460		11.18	11.68	
B	.250	.270		6.35	6.86	
C	.200	.220		5.08	5.59	
D	.350	Typ.		8.89	Typ.	
E	.005	.015		.127	.381	
F	.050	Typ.		1.27	Typ.	
G	.350	.370		8.89	9.40	
H	.016	.022		.406	.559	
I	.008	.012		.203	.305	
J	.050	Typ.		1.27	Typ.	
K	0°	8°		0°	8°	
L	.025	.045		.635	1.14	
M			.030			.762
N			.050			1.27
P			.070			1.78
Q			.400			10.16