



# Universal Clock Chip for VIA™ P4M/KT/KM400 DDR Systems

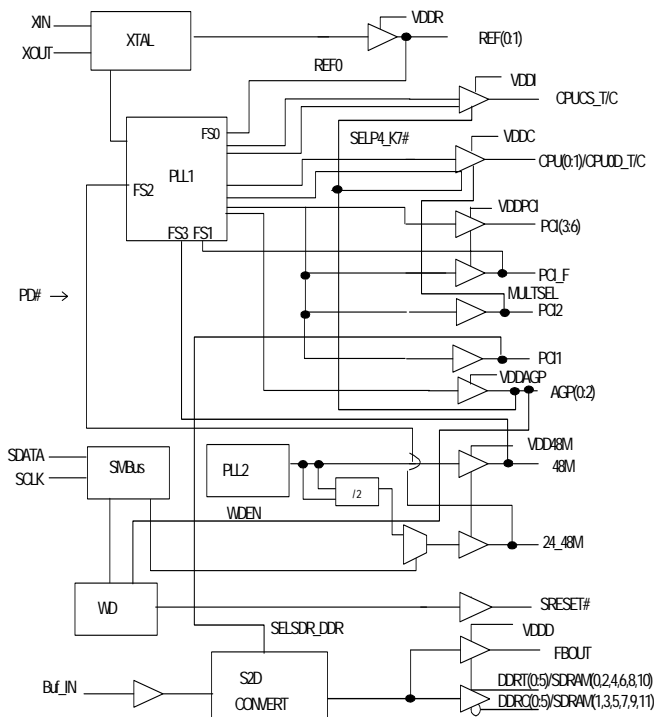
## Features

- Supports VIA™ P4M/KM/KT/266/333/400 chipsets
- Supports Pentium® 4, Athlon™ processors
- Supports two DDR DIMMS
- Supports three SDRAM DIMMS at 100 MHz
- Provides:
  - two different programmable CPU clock pairs
  - six differential SDRAM DDR pairs
  - three low-skew/-jitter AGP clocks
  - seven low-skew/-jitter PCI clocks
  - one 48M output for USB
  - one programmable 24M or 48M for SIO
- Dial-a-Frequency® and Dial-a-dB™ features
- Spread Spectrum for best electromagnetic interference (EMI) reduction
- Watchdog feature for system recovery
- SMBus-compatible for programmability
- 56-pin SSOP and TSSOP packages

Table 1. Frequency Selection Table

FS(3:0)	CPU	AGP	PCI
0000	66.80	66.80	33.40
0001	100.00	66.80	33.40
0010	120.00	60.00	30.00
0011	133.33	66.67	33.33
0100	72.00	72.00	36.00
0101	105.00	70.00	35.00
0110	160.00	64.00	32.00
0111	140.00	70.00	35.00
1000	77.00	77.00	38.50
1001	110.00	73.33	36.67
1010	180.00	60.00	30.00
1011	166.6	66.6	33.3
1100	90.00	60.00	30.00
1101	100.00	66.67	33.33
1110	200.00	66.67	33.33
1111	133.33	66.67	33.33

## Block Diagram



## Pin Configuration<sup>[1]</sup>

Pin	Signal	Pin	Signal
1	*FS0/REF0	56	VTT/WRGD#/REF1
2	VSSR	55	VDDR
3	XIN	54	VSSC
4	XOUT	53	CPU/CPUOD_T
5	VDDAGP	52	CPUC/CPUOD_C
6	AGP0	51	VDDC
7	*SELPA_K7/AGP1	50	VDDI
8	AGP2	49	CPUCS_C
9	VSSAGP	48	CPUCS_T
10	**FS1/PC1_F	47	VSSI
11	**SELSDR_DDR/PC1	46	FBOUT
12	*MULTSEL/PC2	45	BUF_IN
13	VSSPCI	44	DDRT0/SDRAM0
14	PCI3	43	DDRC0/SDRAM1
15	PCI4	42	DDRT1/SDRAM2
16	VDDPCI	41	DDRC1/SDRAM3
17	PCI5	40	VDDD
18	PCI6	39	VSSD
19	VSS48M	38	DDRT2/SDRAM4
20	**FS3/48M	37	DDRC2/SDRAM5
21	**FS2/24_48M	36	DDRT3/SDRAM6
22	VDD48M	35	DDRC3/SDRAM7
23	VDD	34	VDDD
24	VSS	33	VSSD
25	IREF	32	DDRT4/SDRAM8
26	*PD#/SRESET#	31	DDRC4/SDRAM9
27	SCLK	30	DDRT5/SDRAM10
28	SDATA	29	DDRC5/SDRAM11

CY28341-2

56 pin SSOP

**Note:**

1. Pins marked with [\*] have internal pull-up resistors. Pins marked with [\*\*] have internal pull-down resistors.

**Pin Description** <sup>[2]</sup>

Pin Number	Pin Name	PWR	I/O	Pin Description
3	XIN		I	<b>Oscillator Buffer Input.</b> Connect to a crystal or to an external clock.
4	XOUT	VDD	O	<b>Oscillator Buffer Output.</b> Connect to a crystal. Do not connect when an external clock is applied at XIN.
1	FS0/REF0	VDDR	I/O PU	<b>Power-on Bidirectional Input/Output.</b> At power-up, FS0 is the input. When the power supply voltage crosses the input threshold voltage, FS0 state is latched and this pin becomes REF0, buffered copy of signal applied at XIN. (1-2 x strength, selectable by SMBus. Default value is 1 x strength.)
56	VTT_PWRGD#	VDDR	I	<b>If SELP4_K7 = 1, with a P4 processor set up as CPUT/C.</b> At power-up, VTT_PWRGD# is an input. When this input transitions to a logic low, the FS (3:0) and MULTSEL are latched and all output clocks are enabled. After the first high to low transition on VTT_PWRGD#, this pin is ignored and will not effect the behavior of the device thereafter. When the VTT_PWRGD# feature is not used, please connect this signal to ground through a 10KΩ resistor.
	REF1	VDDR	O	<b>If SELP4_K7 = 0, with an Athlon (K7) processor as CPU_OD(T:C).</b> VTT_PWRGD# function is disabled, and the feature is ignored. This pin becomes REF1 and is a buffered copy of the signal applied at XIN.
44,42,38, 36,32,30	DDRT (0:5)/SDRAM (0,2,4,6,8,10)	VDDD	O	<b>These pins are programmable through strapping pin11, SELSDR_DDR#.</b> If SELSDR_DDR# = 0, these pins are configured for DDR clock outputs. They are "True" copies of signal applied at Pin45, BUF_IN. In this mode, VDDD must be 2.5V. If SELSDR_DDR# = 1, these pins are configured for SDRAM(0,2,4,6,8,10) single ended clock outputs, copies of (and in phase with) signal applied at Pin45, BUF_IN. In this mode, VDDD must be 3.3V
43,41,37 35,31,29	DDRC (0:5)/SDRAM (1,3,5,7,9,11)	VDDD	O	<b>These pins are programmable through strapping pin11, SELSDR_DDR#.</b> If SELSDR_DDR# = 0, these pins are configured for DDR clock outputs. They are "Complementary" copies of signal applied at Pin45, BUF_IN. In this mode, VDDD must be 2.5V. If SELSDR_DDR# = 1, these pins are configured for SDRAM(1,3,5,7,9,11) single ended clock outputs, copies of (and in phase with) signal applied at Pin45, BUF_IN. In this mode, VDDD must be 3.3V.
7	SELP4_K7 / AGP1	VDDAGP	I/O PU	<b>Power-on Bidirectional Input/Output.</b> At power-up, SELP4_K7 is the input. When the power supply voltage crosses the input threshold voltage, SELP4_K7 state is latched and this pin becomes AGP1 clock output. SELP4_K7 = 1, P4 mode. SELP4_K7 = 0, K7 mode.
12	MULTSEL/PCI2	VDDPCI	I/O PU	<b>Power-on Bidirectional Input/Output.</b> At power-up, MULTSEL is the input. When the power supply voltage crosses the input threshold voltage, MULTSEL state is latched and this pin becomes PCI2 clock output. MULTSEL = 0, loh is 4 x IREF. MULTSEL = 1, loh is 6 x IREF
53	CPUT/CPUOD_T	VDDC	O	<b>3.3V CPU Clock Outputs.</b> This pin is programmable through strapping pin7, SELP4_K7. If SELP4_K7 = 1, this pin is configured as the CPUT Clock Output. If SELP4_K7 = 0, this pin is configured as the CPUOD_T Open Drain Clock Output. See <i>Table 1</i>
52	CPUC/CPUOD_C	VDDC	O	<b>3.3V CPU Clock Outputs.</b> This pin is programmable through strapping pin7, SELP4_K7. If SELP4_K7 = 1, this pin is configured as the CPUC Clock Output. If SELP4_K7 = 0, this pin is configured as the CPUOD_C Open Drain Clock Output. See <i>Table 1</i>
48,49	CPUCS_T/C	VDDI	O	<b>2.5V CPU Clock Outputs for Chipset.</b> See <i>Table 1</i> .
14,15,17,18	PCI (3:6)	VDDPCI	O	<b>PCI Clock Outputs.</b> Are synchronous to CPU clocks. See <i>Table 1</i>
10	FS1/PCI_F	VDDPCI	I/O PD	<b>Power-on Bidirectional Input/Output.</b> At power-up, FS0 is the input. When the power supply voltage crosses the input threshold voltage, FS1 state is latched and this pin becomes PCI_F clock output.
20	FS3/48M	VDD48M	I/O PD	<b>Power-on Bidirectional Input/Output.</b> At power-up, FS3 is the input. When the power supply voltage crosses the input threshold voltage, FS3 state is latched and this pin becomes 48M, a USB clock output.

**Note:**

2. PU = internal pull-up. PD = internal pull-down. Typically =250 kW (range 200 kΩ to 500 kΩ).

**Pin Description** <sup>[2]</sup> (continued)

Pin Number	Pin Name	PWR	I/O	Pin Description
11	SELSDR_DDR#/ PCI1	VDDPCI	I/O PD	<b>Power-on Bidirectional Input/Output.</b> At power-up, SELSDR_DDR is the input. When the power supply voltage crosses the input threshold voltage, SELSDR_DDR state is latched and this pin becomes PCI clock output. SelSDR_DDR#.= 0, DDR Mode. SelSDR_DDR#.= 1, SDR Mode.
21	FS2/24_48M	VDD48M	I/O PD	<b>Power-on Bidirectional Input/Output.</b> At power-up, FS2 is the input. When the power supply voltage crosses the input threshold voltage, FS2 state is latched and this pin becomes 24_48M, a SIO programmable clock output.
6	AGP0	VDDAGP	O	<b>AGP Clock Output.</b> Is synchronous to CPU clocks. See <i>Table 1</i>
8	AGP2	VDDAGP	O	<b>AGP Clock Output.</b> Is synchronous to CPU clocks. See <i>Table 1</i>
25	IREF		I	<b>Current reference programming input for CPU buffers.</b> A precise resistor is attached to this pin, which is connected to the internal current reference.
28	SDATA		I/O	<b>Serial Data Input.</b> Conforms to the Phillips I2C specification of a Slave Receive/Transmit device. It is an input when receiving data. It is an open drain output when acknowledging or transmitting data.
27	SCLK		I	<b>Serial Clock Input.</b> Conforms to the Philips I2C specification.
26	PD#/SRESET#		I/O PU	<b>Power-down Input/System Reset Control Output.</b> If Byte6 Bit7 = 0(default), this pin becomes a SRESET# open drain output. See system reset description. If Byte6Bit7 = 1, this pin becomes PD# input with an internal pull-up. When PD# is asserted low, the device enters power down mode. See power management function.
45	BUF_IN			<b>If SelSDR_DDR#.= 0, 2.5V CMOS type input to the DDR differential buffers.</b> If SelSDR_DDR#.= 1, 3.3V CMOS type input to the SDR buffer.
46	FBOUT			<b>If SelSDR_DDR#.= 0, 2.5V single ended SDRAM buffered output of the signal applied at BUF_IN.</b> It is in phase with the DDRT(0:5) signals.If SelSDR_DDR#.= 1, 3.3V single ended SDRAM buffered output of the signal applied at BUF_IN. It is in phase with the SDRAM(0:11) signals
5	VDDAGP			<b>3.3V power supply for AGP clocks</b>
51	VDDC			<b>3.3V power supply for CPUT/C clocks</b>
16	VDDPCI			<b>3.3V power supply for PCI clocks</b>
55	VDDR			<b>3.3V power supply for REF clock</b>
50	VDDI			<b>2.5V power supply for CPUCS_T/C clocks</b>
22	VDD_48M			<b>3.3V power supply for 48M</b>
23	VDD			<b>3.3V Common power supply</b>
34,40	VDDD			<b>If SelSDR_DDR#.= 0, 2.5V power supply for DDR clocksIf SelSDR_DDR#.= 1, 3.3V power supply for SDR clocks.</b>
9	VSSAGP			<b>Ground for AGP clocks</b>
13	VSSPCI			<b>Ground for PCI clocks</b>
54	VSSC			<b>Ground for CPUT/C clocks</b>
33,39	VSSD			<b>Ground for DDR clocks</b>
19	VSS_48M			<b>Ground for 48M clock</b>
47	VSSI			<b>Ground for ICPUCS_T/C clocks</b>
2	VSSR			<b>Ground for REF</b>
24	VSS			<b>Common Ground</b>

## Power Management Functions

All clocks can be individually enabled or stopped via the two-wire control interface. All clocks are stopped in the low state. All clocks maintain a valid high period on transitions from running to stop and on transitions from stopped to running when the chip was not powered down. On power up, the VCOs will stabilize to the correct pulse widths within about 0.5 mS.

### Serial Data Interface

To enhance the flexibility and function of the clock synthesizer, a two-signal serial interface is provided. Through the Serial Data Interface, various device functions such as individual clock output buffers, etc., can be individually enabled or disabled.

The registers associated with the Serial Data Interface initializes to their default setting upon power-up, and therefore use of this interface is optional. Clock device register changes are normally made upon system initialization, if any are required. The interface can also be used during system operation for power management functions.

## Data Protocol

The clock driver serial protocol accepts byte write, byte read, block write, and block read operation from the controller. For block write/read operation, the bytes must be accessed in sequential order from lowest to highest byte (most significant bit first) with the ability to stop after any complete byte has been transferred. For byte write and byte read operations, the system controller can access individual indexed bytes. The offset of the indexed byte is encoded in the command code, as described in *Table 2*.

The block write and block read protocol is outlined in *Table 3* while *Table 4* outlines the corresponding byte write and byte read protocol. The slave receiver address is 11010010 (D2h).

**Table 2. Command Code Definition**

Bit	Description
7	0 = Block read or block write operation. 1 = Byte read or byte write operation
(6:0)	Byte offset for byte read or byte write operation. For block read or block write operations, these bits should be '0000000'

**Table 3. Block Read and Block Write Protocol**

Block Write Protocol		Block Read Protocol	
Bit	Description	Bit	Description
1	Start	1	Start
2:8	Slave address – 7 bits	2:8	Slave address – 7 bits
9	Write	9	Write
10	Acknowledge from slave	10	Acknowledge from slave
11:18	Command Code – 8-bit '00000000' stands for block operation	11:18	Command Code – 8-bit '00000000' stands for block operation
19	Acknowledge from slave	19	Acknowledge from slave
20:27	Byte Count – 8 bits	20	Repeat start
28	Acknowledge from slave	21:27	Slave address – 7 bits
29:36	Data byte 0 – 8 bits	28	Read
37	Acknowledge from slave	29	Acknowledge from slave
38:45	Data byte 1 – 8 bits	30:37	Byte count from slave – 8 bits
46	Acknowledge from slave	38	Acknowledge
....	Data Byte N/Slave Acknowledge...	39:46	Data byte from slave – 8 bits
....	Data Byte N – 8 bits	47	Acknowledge
....	Acknowledge from slave	48:55	Data byte from slave – 8 bits
....	Stop	56	Acknowledge
		....	Data bytes from slave/Acknowledge
		....	Data byte N from slave – 8 bits
		....	Not Acknowledge
		....	Stop

**Table 4. Byte Read and Byte Write Protocol**

Byte Write Protocol		Byte Read Protocol	
Bit	Description	Bit	Description
1	Start	1	Start
2:8	Slave address – 7 bits	2:8	Slave address – 7 bits
9	Write	9	Write
10	Acknowledge from slave	10	Acknowledge from slave
11:18	Command Code – 8-bit ‘1xxxxxx’ stands for byte operationbit[6:0] of the command code represents the offset of the byte to be accessed	11:18	Command Code – 8-bit ‘1xxxxxx’ stands for byte operationbit[6:0] of the command code represents the offset of the byte to be accessed
19	Acknowledge from slave	19	Acknowledge from slave
20:27	Byte Count – 8 bits	20	Repeat start
28	Acknowledge from slave	21:27	Slave address – 7 bits
29	stop	28	Read
		29	Acknowledge from slave
		30:37	Data byte from slave – 8 bits
		38	Not Acknowledge
		39	stop

## Serial Control Registers

### Byte 0: Frequency Select Register

Bit	@Pup	Pin#	Name	Description
7	0		Reserved	Reserved
6	H/W Setting	21	FS2	For Selecting Frequencies in <i>Frequency Selection Table</i> on page 1
5	H/W Setting	10	FS1	For Selecting Frequencies in <i>Frequency Selection Table</i> on page 1
4	H/W Setting	1	FS0	For Selecting Frequencies in <i>Frequency Selection Table</i> on page 1
3	0			If this bit is programmed to “1”, it enables WRITE to bits (6:4,1) for selecting the frequency via software (SMBus) If this bit is programmed to a “0” it enable only READ of bits (6:4,1), which reflect the hardware setting of FS(0:3).
2	H/W Setting	11	SELSDR_DDR	Only for reading the hardware setting of the SDRAM interface mode, status of SELSDR_DDR# strapping.
1	H/W Setting	20	FS3	For Selecting frequencies in <i>Frequency Selection Table</i> on page 1
0	H/W Setting	7	SELP4_K7	Only for reading the hardware setting of the CPU interface mode, status of SELP4_K7# strapping.

### Byte 1: CPU Clocks Register

Bit	@Pup	Pin#	Name	Description
7	0		MODE	0 = Down Spread. 1 = Center Spread. See <i>Table 9</i> on page 9
6	1		SSCG	1 = Enable (default). 0 = Disable
5	1		SST1	Select spread bandwidth. See <i>Table 9</i> on page 9
4	1		SST0	Select spread bandwidth. See <i>Table 9</i> on page 9
3	1	48,49	CPUCS_T, CPUCS_C	1 = output enabled (running). 0 = output disabled asynchronously in a low state.
2	1	53,52	CPUT/CPUOD_T CPUC/CPUOD_C	1 = output enabled (running). 0 = output disable.
1	1	53,52	CPUT/C	In K7 mode, this bit is ignored. In P4 mode, 0 = when PD# asserted LOW, CPUT stops in a high state, CPUC stops in a low state. In P4 mode, 1 = when PD# asserted LOW, CPUT and CPUC stop in High-Z.
0	1	11	MULT0	Only for reading the hardware setting of the Pin11 MULT0 value.

**Byte 2: PCI Clock Register**

Bit	@Pup	Pin#	Name	Description
7	0		PCI_DRV	PCI clock output drive strength 0 = Low strength, 1 = High strength
6	1	10	PCI_F	1 = output enabled (running). 0 = output disabled asynchronously in a low state.
5	1	18	PCI6	1 = output enabled (running). 0 = output disabled asynchronously in a low state.
4	1	17	PCI5	1 = output enabled (running). 0 = output disabled asynchronously in a low state.
3	1	15	PCI4	1 = output enabled (running). 0 = output disabled asynchronously in a low state.
2	1	14	PCI3	1 = output enabled (running). 0 = output disabled asynchronously in a low state.
1	1	12	PCI2	1 = output enabled (running). 0 = output disabled asynchronously in a low state.
0	1	11	PCI1	1 = output enabled (running). 0 = output disabled asynchronously in a low state.

**Byte 3: AGP/Peripheral Clocks Register**

Bit	@Pup	Pin#	Name	Description
7	0	21	24_48M	0 = pin21 output is 24 MHz. Writing a '1' into this register asynchronously changes the frequency at pin21 to 48 MHz.
6	1	20	48MHz	1 = output enabled (running). 0 = output disabled asynchronously in a low
5	1	21	24_48M	1 = output enabled (running). 0 = output disabled asynchronously in a low
4	0	6,7,8	DASAG1	Programming these bits allow shifting skew of the AGP(0:2) signals relative to their default value. See <i>Table 5</i> .
3	0	6,7,8	DASAG0	
2	1	8	AGP2	1 = output enabled (running). 0 = output disabled asynchronously in a low
1	1	7	AGP1	1 = output enabled (running). 0 = output disabled asynchronously in a low
0	1	6	AGP0	1 = output enabled (running). 0 = output disabled asynchronously in a low

**Table 5. Dial-a-Skew™ AGP(0:2)**

DASAG (1:0)	AGP(0:2) Skew Shift
00	Default
01	-280 ps
10	+280 ps
11	+480 ps

**Byte 4: Peripheral Clocks Register**

Bit	@Pup	Pin#	Name	Description
7	1	20	48M	1 = Low strength, 0 = High strength
6	1	21	24_48M	1 = Low strength, 0 = High strength
5	0	6,7,8	DARAG1	Programming these bits allow modifying the frequency ratio of the AGP(2:0), PCI(6:1, F) clocks relative to the CPU clocks. See <i>Table 6</i> .
4	0	6,7,8	DARAG0	
3	1	1	REF0	1 = output enabled (running). 0 = output disabled asynchronously in a low
2	1	56	REF1	1 = output enabled (running). 0 = output disabled asynchronously in a low
1	1	1	REF0	1 = Low strength, 0 = High strength
0	1	56	REF1	1 = Low strength, 0 = High strength (K7 Mode only)

**Table 6. Dial-A-Ratio™ AGP(0:2)**

DARAG (1:0)	CU/AGP Ratio
00	Frequency Selection Default
01	2/1
10	2.5/1
11	3/1

**Byte 5: SDR/DDR Clock Register**

Bit	@Pup	Pin#	Name	Description
7	0	45	BUF_IN threshold voltage	DDR Mode, BUF_IN threshold setting. 0 = 1.15V, 1 = 1.05VSDR Mode, BUF_IN threshold setting. 0 = 1.35V, 1 = 1.25V
6	1	46	FBOUT	1 = output enabled (running). 0 = output disabled asynchronously in a low state.
5	1	29,30	DDRT/C5/SDRAM(10,11)	1 = output enabled (running). 0 = output disabled asynchronously in a low state.
4	1	31,32	DDRT/C4/SDRAM(8,9)	1 = output enabled (running). 0 = output disabled asynchronously in a low state.
3	1	35,36	DDRT/C3/SDRAM(6,7)	1 = output enabled (running). 0 = output disabled asynchronously in a low state.
2	1	37,38	DDRT/C2/SDRAM(4,5)	1 = output enabled (running). 0 = output disabled asynchronously in a low state.
1	1	41,42	DDRT/C1/SDRAM(2,3)	1 = output enabled (running). 0 = output disabled asynchronously in a low state.
0	1	43,44	DDRT/C0/SDRAM(0,1)	1 = output enabled (running). 0 = output disabled asynchronously in a low state.

**Byte 6: Watchdog Register**

Bit	@Pup	Pin#	Name	Description
7	0	26	SRESET#	1 = Pin 26 is the input pin as PD# signal. 0 = Pin 26 is the output pin as SRESET# signal.
6	0		Frequency Revert	This bit allows setting the Revert Frequency once the system is rebooted due to Watchdog time out only. 0 = selects frequency of existing H/W setting 1 = selects frequency of the second to last S/W setting. (the software setting prior to the one that caused a system reboot).
5	0		WDTEST	For IMI Test - WD-Test, ALWAYS program to '0'
4	0		WD Alarm	This bit is set to "1" when the Watchdog times out. It is reset to "0" when the system clears the WD time stamps (WD3:0).
3	0		WD3	This bit allows the selection of the time stamp for the Watchdog timer. See <i>Table 7</i>
2	0		WD2	This bit allows the selection of the time stamp for the Watchdog timer. See <i>Table 7</i>
1	0		WD1	This bit allows the selection of the time stamp for the Watchdog timer. See <i>Table 7</i>
0	0		WD0	This bit allows the selection of the time stamp for the Watchdog timer. See <i>Table 7</i>

**Table 7. Watchdog Time Stamp**

WD3	WD2	WD1	WD0	FUNCTION
0	0	0	0	Off
0	0	0	1	1 second
0	0	1	0	2 seconds
0	0	1	1	3 seconds
0	1	0	0	4 seconds
0	1	0	1	5 seconds
0	1	1	0	6 seconds
0	1	1	1	7 seconds
1	0	0	0	8 seconds
1	0	0	1	9 seconds
1	0	1	0	10 seconds
1	0	1	1	11 seconds
1	1	0	0	12 seconds
1	1	0	1	13 seconds
1	1	1	0	14 seconds
1	1	1	1	15 seconds

**Byte 7: Dial-a-Frequency Control Register N**

Bit	@Pup	Pin#	Name	Description
7	0		Reserved	Reserved for device function test.
6	0		N6, MSB	These bits are for programming the PLL's internal N register. This access allows the user to modify the CPU frequency at very high resolution (accuracy). All other synchronous clocks (clocks that are generated from the same PLL, such as PCI) remain at their existing ratios relative to the CPU clock.
5	0		N5	
4	0		N4	
3	0		N3	
2	0		N2	
1	0		N3	
0	0		N0, LSB	

**Byte 8: Silicon Signature Register (all bits are read-only)**

Bit	@Pup	Pin#	Name	Description
7	0		Revision_ID3	Revision ID bit [3]
6	0		Revision_ID2	Revision ID bit [2]
5	0		Revision_ID1	Revision ID bit [1]
4	1		Revision_ID0	Revision ID bit [0]
3	1		Vendor_ID3	Cypress's Vendor ID bit [3].
2	0		Vendor_ID2	Cypress's Vendor ID bit [2].
1	0		Vendor_ID1	Cypress's Vendor ID bit [1].
0	0		Vendor_ID0	Cypress's Vendor ID bit [0].

**Byte9: Dial-A-Frequency Control Register R**

Bit	@Pup	Pin#	Name	Description
7	0			Reserved
6	0		R5, MSB	These bits are for programming the PLL's internal R register. This access allows the user to modify the CPU frequency at very high resolution (accuracy). All other synchronous clocks (clocks that are generated from the same PLL, such as PCI) remain at their existing ratios relative to the CPU clock.
5	0		R4	
4	0		R3	
3	0		R2	
2	0		R1	
1	0		R0	
0	0		DAF_ENB	R and N register mux selection. 0 = R and N values come from the ROM. 1 = data is load from DAF (SMBus) registers.

**Dial-a-Frequency Feature**

SMBus Dial-a-Frequency feature is available in this device via Byte7 and Byte9.

P is a PLL constant that depends on the frequency selection prior to accessing the Dial-a-Frequency feature.

**Table 8.**

FS(4:0)	P
XXXXX	96016000



## Spread Spectrum Clock Generation (SSCG)

Spread Spectrum is enabled/disabled via SMBus register Byte 1, Bit 7.

**Table 9. Spread Spectrum Table**

Mode	SST1	SST0	% Spread
0	0	0	+0.14, -1.23
0	0	1	+0, -1.00
0	1	0	+0, -0.60
0	1	1	+0, -0.52
1	0	0	+0.72, -0.71
1	0	1	+0.47, -0.49
1	1	0	+0.34, -0.33
1	1	1	+0.30, -0.28

## Swing Select Functions Through Hardware

MULTSEL	Board Target Trace/Term Z	Reference R, IREF = VDD/(3*Rr)	Output Current	VOH@Z
0	50 Ohm	Rr = 221 1%, IREF = 5.00mA	IOH = 4* Iref	1.0V@50
1	50 Ohm	Rr = 475 1%, IREF = 2.32mA	IOH = 6* Iref	0.7V@50

## System Self Recovery Clock Management

This feature is designed to allow the system designer to change frequency while the system is running and reboot the operation of the system in case of a hang up due to the frequency change.

When the system sends an SMBus command requesting a frequency change through Byte 4 or through bytes 13 and 14, it must have previously sent a command to byte 12, for selecting which time out stamp the Watchdog must perform, otherwise the System Self Recovery feature will not be applicable. Consequently, this device will change frequency and then the Watchdog timer starts timing. Meanwhile, the system BIOS is running its operation with the new frequency. If this device receives a new SMBus command to clear the bits originally programmed in Byte 12, bits (3:0) (reprogram to 0000),

before the Watchdog times out, then this device will keep operating in its normal condition with the new selected frequency. If the Watchdog times out the first time before the new SMBus reprograms Byte 12, bits (3:0) to (0000), then this device will send a low system reset pulse, on SRESET# (see byte12, bit7), and changes WD alarm (Byte12, Bit4) status to "1" then restarts the Watchdog timer again. If the Watchdog times out a second time, then this device will send another low pulse on SRESET#, will relatch original hardware strapping frequency (or second to last software selected frequency, see byte12, bit6) selection, set WD alarm bit (Byte12, bit4) to '1,' then start WD timer again. The above-described sequence will keep repeating until the BIOS clears the SMBus byte12 bits (3:0). Once the BIOS sets Byte 12 bits (3:0) = 0000, then the Watchdog timer is turned off and the WD alarm bit (Byte 12, bit4) is reset to '0.'

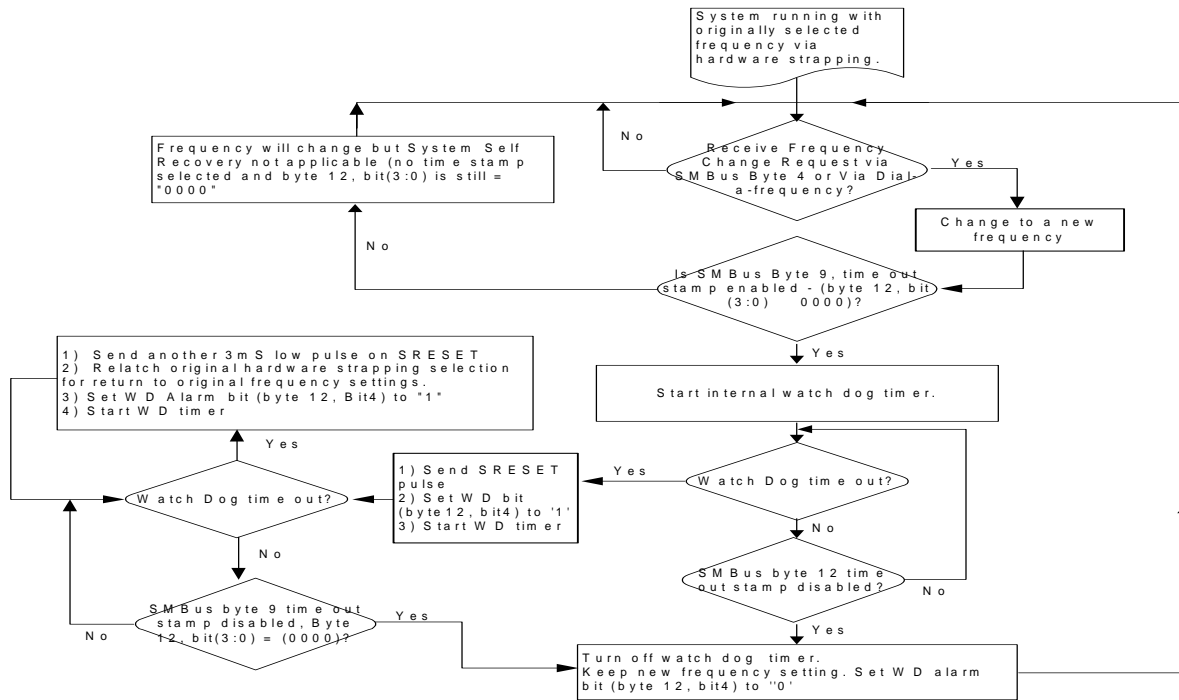


Figure 1. Watchdog Recovery Clock

**P4 Processor SELP4 K7# = 1**

**Power-down Assertion (P4 Mode):**

When PD# is sampled low by two consecutive rising edges of CPU# clock then all clock outputs except CPU clocks must be held low on their next high to low transition. CPU clocks must be held with the CPU clock pin driven high with a value of 2 x Iref, and CPU# undriven. Note that Figure 1 shows CPU =

133 MHz. This diagram and description are applicable for all valid CPU frequencies 66, 100, 133, 200 MHz. Due to the state of internal logic, stopping and holding the REF clock outputs in the LOW state may require more than one clock cycle to complete.

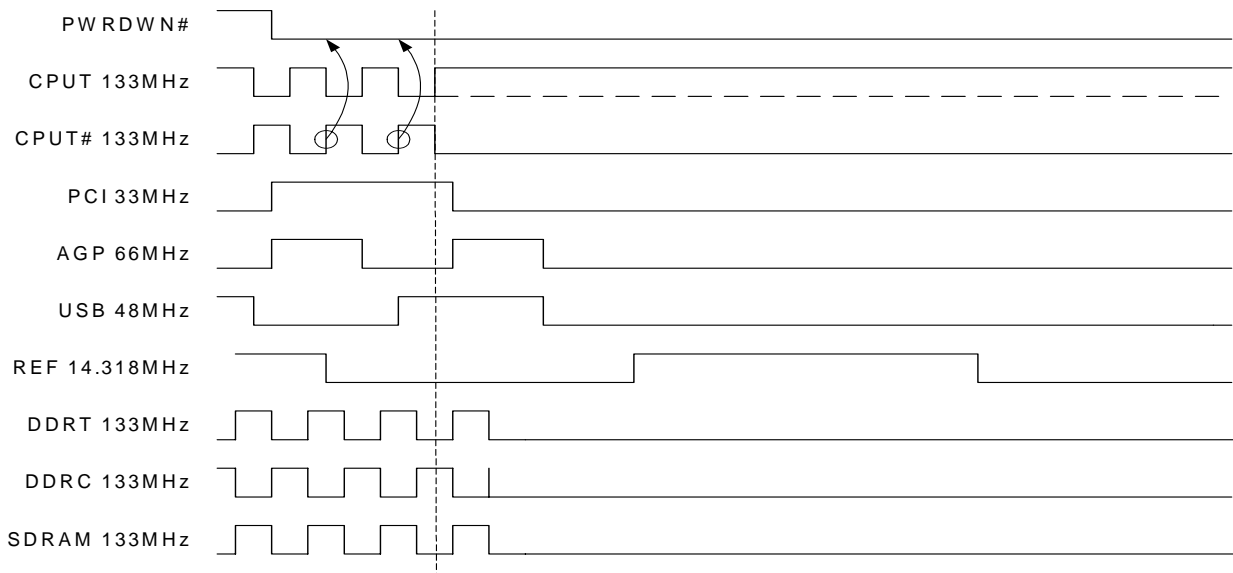
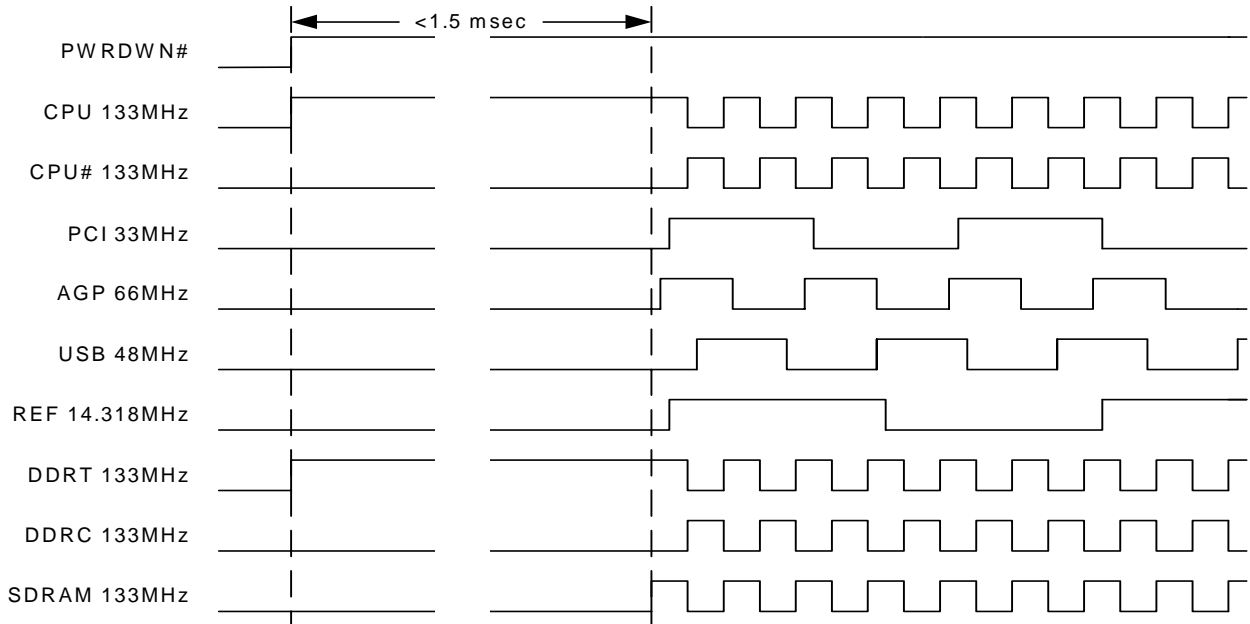


Figure 2. Power-down Assertion Timing Waveform (in P4 mode)

**Power-down Deassertion (P4 Mode)**

The power-up latency needs to less than 3 mS.



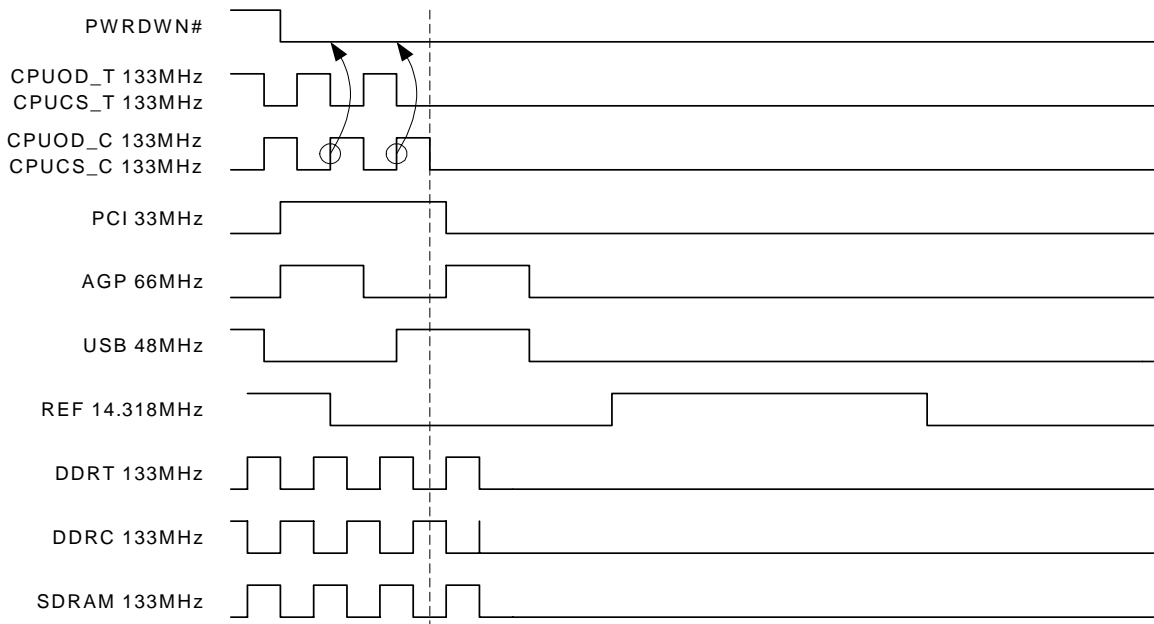
**Figure 3. Power-down Deassertion Timing Waveform (in P4 mode)**

**AMD K7 processor SELP4 K7# = 0**

**Power-down Assertion (K7 Mode):**

When the PD# signal is asserted low, all clocks are disabled to a low level in an orderly fashion prior to removing power from the part. When PD# is asserted (forced) low, the device transitions to a shutdown (power down) mode and all power supplies may then be removed. When PD# is sampled low by two consecutive rising edges of CPU clock, then all affected

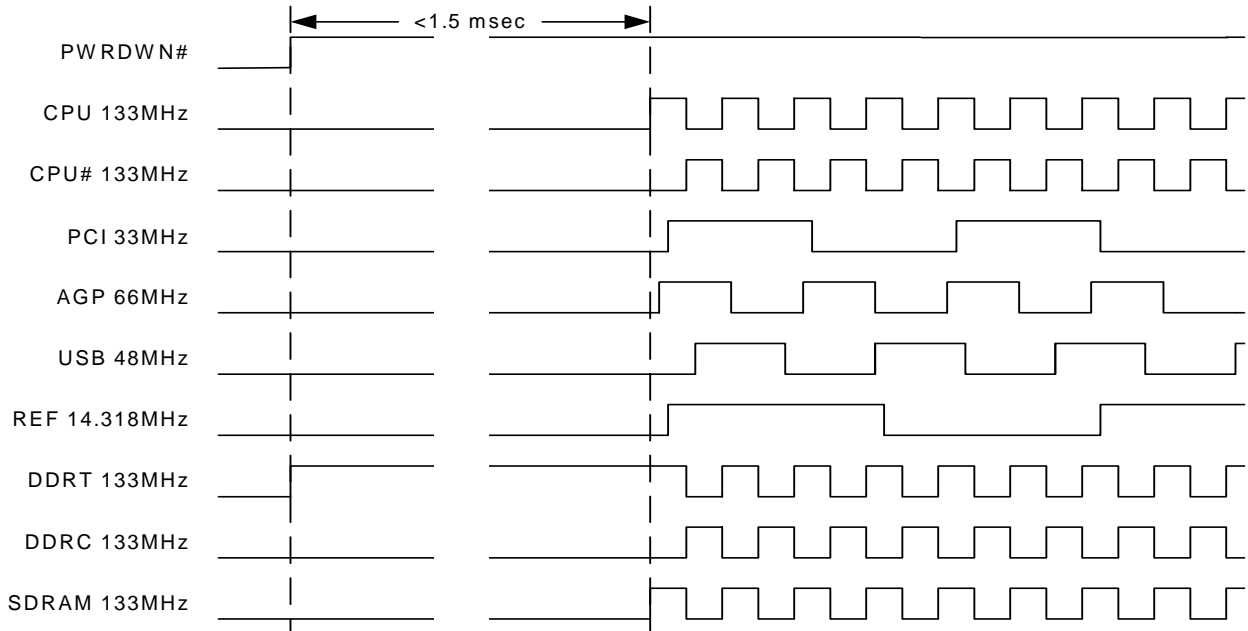
clocks are stopped in a low state as soon as possible. When in power down (and before power is removed), all outputs are synchronously stopped in a low state (see *Figure 3* below), all PLL's are shut off, and the crystal oscillator is disabled. When the device is shutdown, the I<sup>2</sup>C function is also disabled.



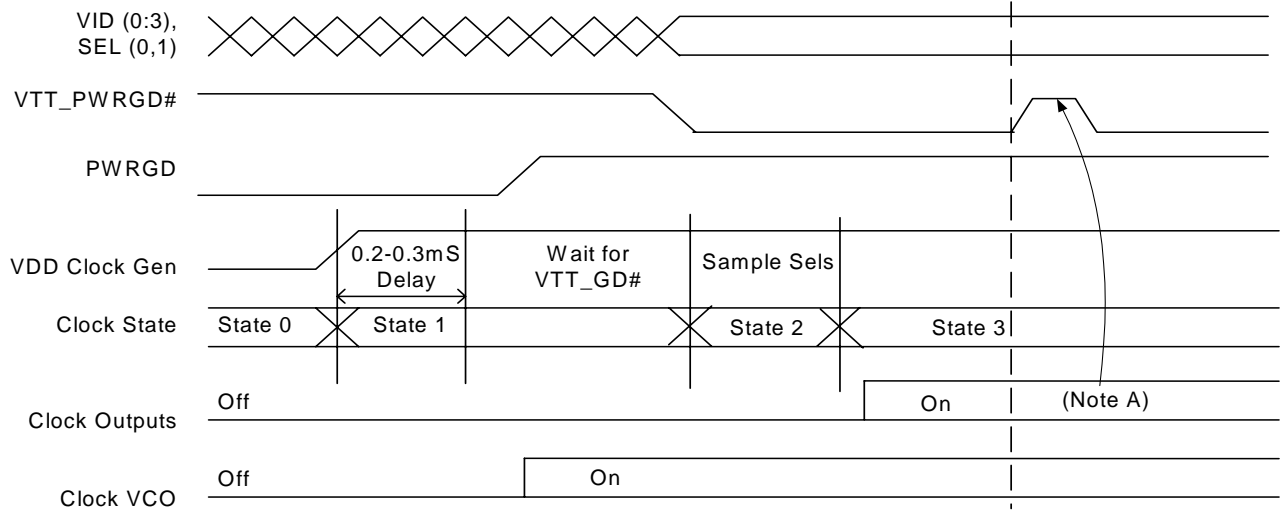
**Figure 4. Power-down Assertion Timing Waveform (in K7 mode)**

**Power-down Deassertion (K7 Mode):**

When deasserted PD# to high level, all clocks are enabled and start running on the rising edge of the next full period in order to guarantee a glitch-free operation, no partial clock pulses.



**Figure 5. Power-down Deassertion Timing Waveform (in K7 Mode)**



**Figure 6. VTT\_PWGD# Timing Diagram (With Advanced PIII Processor SelP4 K7 = 1)<sup>[3]</sup>**

**Note:**

3. This time diagram shows that VTT\_PWGD# transits to a logic low in the first time at power-up. After the first high-to-low transition of VTT\_PWGD#, device is not affected, VTT\_PWGD# is ignored.

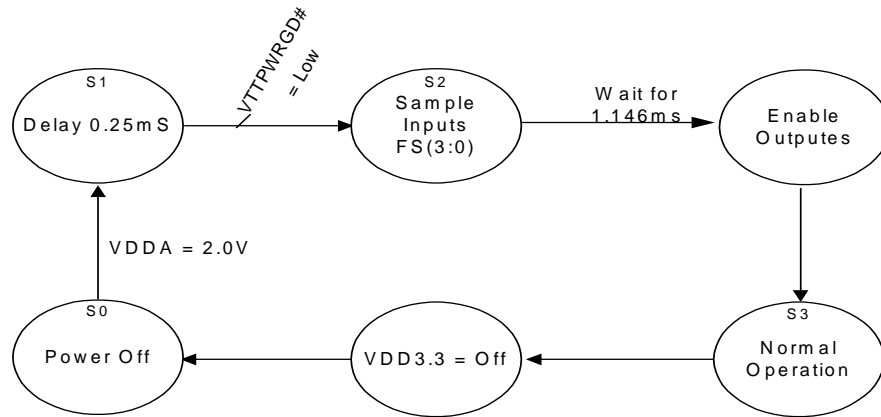


Figure 7. Clock Generator Power-up/Run State Diagram (with P4 processor SELP4\_K7#=1)

Connection Circuit DDRT/C Signals

For open-drain CPU output signals (with K7 processor SELP4\_K7#=0)

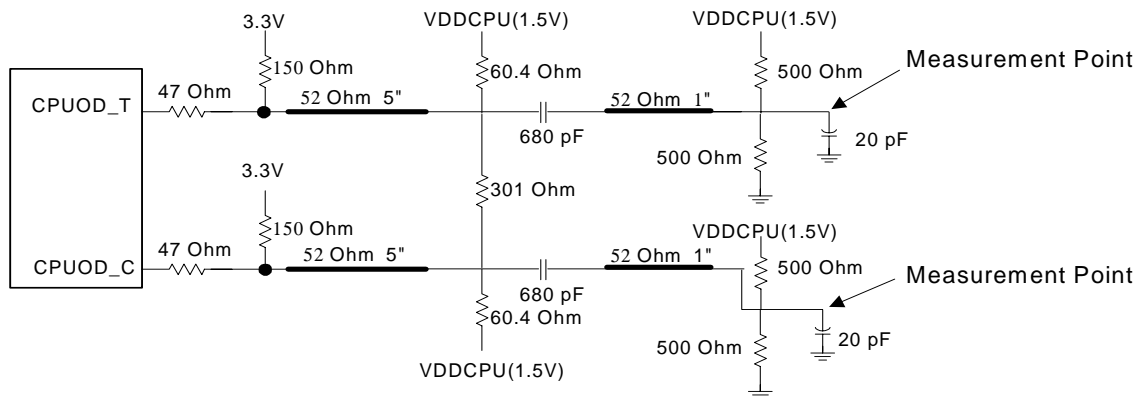


Figure 8. K7 Load Termination

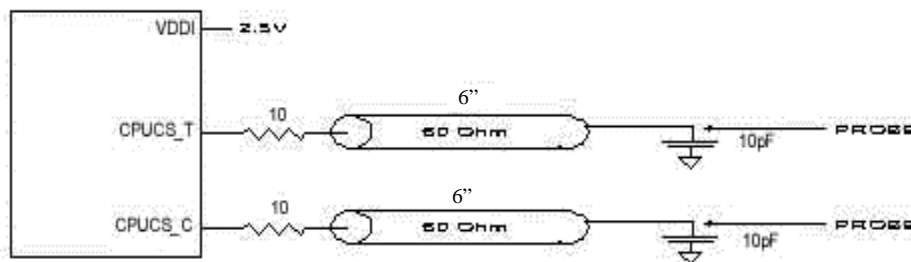


Figure 9. CS Load Termination

Table 10. Signal Loading Table

Clock Name	Max Load (in pF)
REF (0:1), 48MHz (USB), 24_48MHz	20
AGP(0:2), SDRAM (0:11)	30
PCI_F(0:5)	30
DDRT/C (0:5), FBOU	
CPUT/C	See Figure 10
CPUOD_T/C	See Figure 8
CPUCS_T/C	See Figure 9

For Differential CPU Output Signals (with P4 Processor SELP4\_K7= 1)

The following diagram shows lumped test load configurations for the differential Host Clock outputs.

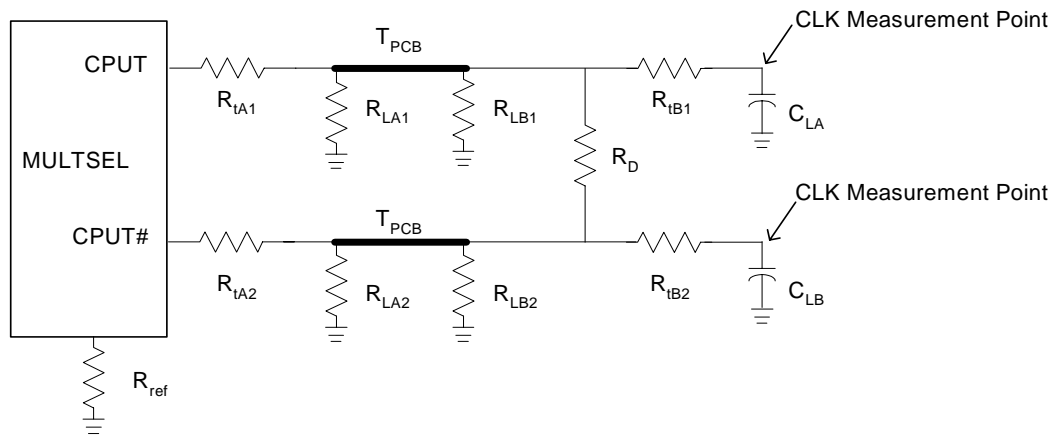


Figure 10. P4 Load Termination

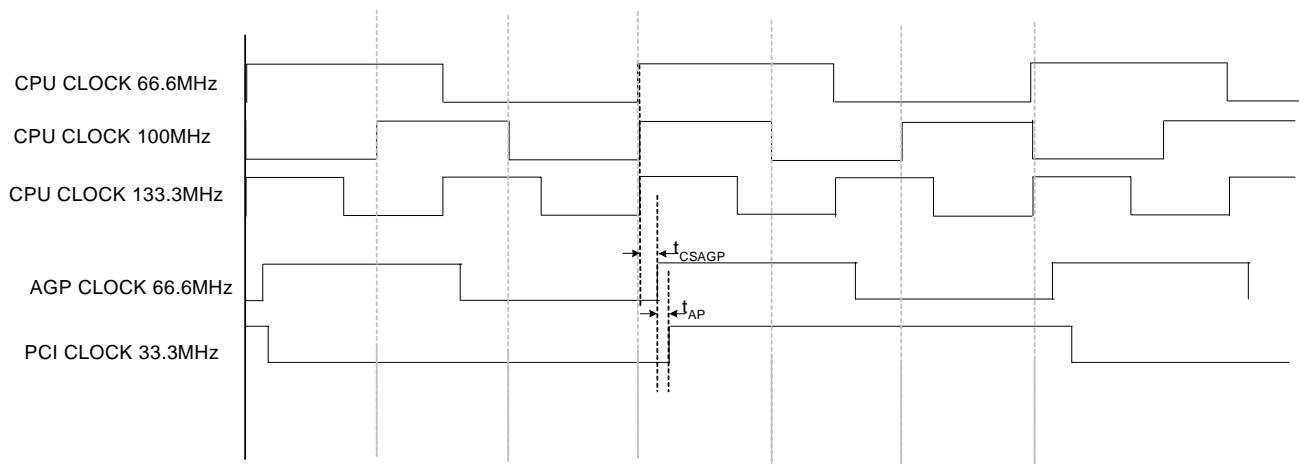
Table 11. Lumped Test Load Configuration

Component	0.7V Amplitude Value	1.0V Amplitude Value
$R_{tA1}, R_{tA2}$	33Ω	0Ω
$R_{LA1}, R_{LA2}$	49.9Ω	∞
$T_{PCB}$	3" 50 ΩZ	3" 50 ΩZ
$R_{LB1}, R_{LB2}$	∞	63Ω
$R_D$	∞	470Ω
$R_{tB1}, R_{tB2}$	0Ω	33Ω
$C_{LA}, C_{LB}$	2 pF	2 pF
$R_{ref}$	475Ω w/mult0 = 1	221Ω w/mult0 = 0

Group Timing Relationships and Tolerances<sup>[4]</sup>

		Offset (ps)	Tolerance (ps)	Conditions
$t_{CSAGP}$	CPUCS to AGP	750	500	CPUCS Leads
$t_{AP}$	AGP to PCI	1,250	500	AGP Leads

0ns
10ns
20ns
30ns



Note:

- Ideally the probes should be placed on the pins. If there is a transmission line between the test point and the pin for one signal of the pair (e.g., CPU), the same length transmission line should be added to the other signal of the pair (e.g., AGP).

**Maximum Ratings<sup>[5]</sup>**

Input Voltage Relative to  $V_{SS}$ : .....  $V_{SS} - 0.3V$   
 Input Voltage Relative to  $V_{DDQ}$  or  $AV_{DD}$ : .....  $V_{DD} + 0.3V$   
 Storage Temperature: .....  $-65^{\circ}C$  to  $+150^{\circ}C$   
 Operating Temperature: .....  $0^{\circ}C$  to  $+70^{\circ}C$   
 Maximum ESD ..... 2000V  
 Maximum Power Supply: ..... 5.5V

This device contains circuitry to protect the inputs against damage due to high static voltages or electric field. However, precautions should be taken to avoid application of any voltage higher than the maximum rated voltages to this circuit. For proper operation,  $V_{IN}$  and  $V_{OUT}$  should be constrained to the range:

$$V_{SS} < (V_{IN} \text{ or } V_{OUT}) < V_{DD}$$

Unused inputs must always be tied to an appropriate logic voltage level (either  $V_{SS}$  or  $V_{DD}$ ).

**DC Parameters** ( $V_{DD}=V_{DDPCI}=V_{DDAGP}=V_{DDR}=V_{DD48M}=V_{DDC}= 3.3V\pm 5\%$ ,  $V_{DDI} = V_{DD}=2.5\pm 5\%$ ,  $T_A=0^{\circ}C$  TO  $+70^{\circ}C$ )

Parameter	Description	Conditions	Min.	Typ.	Max.	Unit
$V_{IL1}$	Input Low Voltage	Applicable to PD#, F S(0:4)			0.8	Vdc
$V_{IH1}$	Input High Voltage		2.0			Vdc
$V_{IL2}$	Input Low Voltage	Applicable to SDATA and SCLK			1.0	Vdc
$V_{IH2}$	Input High Voltage		2.2			Vdc
$V_{OL}$	Output Low Voltage for SRESET#	$I_{OL}$	0.4			V
$I_{OL}$	Pull-down current for SRESET#	$V_{OL} = 0.4V$	24	35		mA
$I_{OZ}$	Three-state leakage Current				10	$\mu A$
$I_{DD3.3V}$	Dynamic Supply Current	CPU frequency set at 133.3 MHz, <i>Note 6</i>		150	190	mA
$I_{DD2.5V}$	Dynamic Supply Current	CPU frequency set at 133.3 MHz, <i>Note 6</i>		175	195	mA
$I_{PD}$	Power-down Supply current	PD# = 0		95	600	$\mu A$
$I_{PUP}$	Internal Pull-up Device Current	Input @ $V_{SS}$			-25	$\mu A$
$I_{PDWN}$	Internal Pull-down Device Current	Input @ $V_{DD}$			10	$\mu A$
$C_{IN}$	Input pin capacitance				5	pF
$C_{OUT}$	Output pin capacitance				6	pF
$L_{PIN}$	Pin Inductance				7	pF
$C_{XTAL}$	Crystal pin capacitance	Measured from the Xin or Xout to $V_{SS}$	27	36	45	pF

**AC Parameters**

Parameter	Description	100 MHz		133 MHz		200 MHz		Unit	Notes
		Min.	Max.	Min.	Max.	Min.	Max.		
<b>XTAL</b>									
$T_{DC}$	Xin Duty Cycle	45	55	45	55	45	55	%	7,14
$T_{PERIOD}$	Xin Period	69.84	71.00	69.84	71.0	69.84	71.0	ns	7,14
$V_{HIGH}$	Xin High Voltage	$.7V_{DD}$	$V_{DD}$	$.7V_{DD}$	$V_{DD}$	$.7V_{DD}$	$V_{DD}$	V	12
$V_{LOW}$	Xin Low Voltage	0	$.3V_{DD}$	0	$.3V_{DD}$	0	$.3V_{DD}$	V	15
$T_R/T_F$	Xin Rise and Fall Times		10.0		10		10	ns	13
$T_{CCJ}$	Xin Cycle to Cycle Jitter		500		500		500	ps	8,11
$T_{XS}$	Crystal Start-up Time		30		30		30	ms	10,12
<b>P4 Mode CPU at 0.7V</b>									
$T_{DC}$	CPU/C Duty Cycle	45	55	45	55	45	55	%	7,8,9,15, 16
$T_{PERIOD}$	CPU/C Period	9.85	10.2	7.35	7.65	4.85	5.1	ns	7,8,9,15, 16

**Notes:**

- Multiple Supplies: The voltage on any input or I/O pin cannot exceed the power pin during power-up. Power supply sequencing is NOT required.
- All outputs loaded as per maximum capacitive load table.
- This parameter is measured as an average over a 1-us duration, with a crystal center frequency of 14.31818 MHz.
- All outputs loaded as per loading specified in the *Table 11*.
- Probes are placed on the pins, and measurements are acquired at 1.5V for 3.3V signals and at 1.25V for 2.5V, and 50% point for differential signals.
- Probes are placed on the pins, and measurements are acquired at 0.4V.
- When Xin is driven from an external clock source (3.3V parameters apply).
- When crystal meets minimum 40-ohm device series resistance specification.
- Measured between  $0.2V_{DD}$  and  $.7V_{DD}$ .
- This is required for the duty cycle on the REF clock out to be as specified. The device will operate reliably with input duty cycles up to 30/70 but the REF clock duty cycle will not be within data sheet specifications.
- Measured at  $V_X$ , or where subtraction of CLK-CLK# crosses 0V.
- See *Figure 10* for 0.7V loading specification.

**AC Parameters** (continued)

Parameter	Description	100 MHz		133 MHz		200 MHz		Unit	Notes
		Min.	Max.	Min.	Max.	Min.	Max.		
$T_R/T_F$	CPU/C Rise and Fall Times	175	700	175	700	175	700	ps	24
	Rise/Fall Matching		20%		20%		20%		24,26
$\Delta T_R/T_F$	Rise/Fall Time Variation		125		125		125	ps	8,24,16
$T_{SKEW}$	CPUCS_T/C to CPU/C Clock Skew	0	200	0	150	0	200	ps	8,18,15,16
$T_{CCJ}$	CPU/C Cycle to Cycle Jitter	-150	+150	-150	+150	-200	+200	ps	8,18,15,16
$V_{CROSS}$	Crossing Point Voltage at 0.7V Swing	280	430	280	430	280	430	mV	16
<b>P4 Mode CPU at 1.0V</b>									
$T_{DC}$	CPU/C Duty Cycle	45	55	45	55	45	55	%	8,9,15
$T_{PERIOD}$	CPU/C Period	9.85	10.2	7.35	7.65	4.85	5.1	nS	8,9,15
Differential $T_R/T_F$	CPU/C Rise and Fall times	175	467	175	467	175	467	ps	7,14,27
$T_{SKEW}$	CPUCS_T/C to CPU/C Clock Skew	0	200	0	150	0	200	0	8,14,11
$T_{CCJ}$	CPU/C Cycle to Cycle Jitter	-150	+150	-150	+150	-200	+200	ps	8,14,11
$V_{CROSS}$	Crossing Point Voltage at 1V Swing	510	760	510	760	510	760	mV	27
SE-DeltaSlew	Absolute Single-ended Rise/Fall Waveform Symmetry		325		325		325	ps	26
<b>K7 Mode</b>									
$T_{DC}$	CPUOD_T/C Duty Cycle	45	55	45	55	45	55	%	8,9
$T_{PERIOD}$	CPUOD_T/C Period	9.98	10.5	7.5	8.0	5	5.5	ns	8,9
$T_{LOW}$	CPUOD_T/C Low Time	2.8		1.67		2.8		ns	8,9
$T_F$	CPUOD_T/C Fall Time	0.4	1.6	0.4	1.6	0.4	1.6	ns	8,13
$T_{SKEW}$	CPUCS_T/C to CPU/C Clock Skew	0	200	0	150	0	200	0	8,14,11
$T_{CCJ}$	CPUOD_T/C Cycle-to-Cycle Jitter	-150	+150	-150	+150	-200	+200	ps	8,9
$V_D$	Differential Voltage AC	.4	Vp+.6V	.4	Vp+.6V	.4	Vp+.6V	V	23
$V_X$	Differential Crossover Voltage	500	1100	500	1100	500	1100	mV	23
<b>CHIPSET CLOCK</b>									
$T_{DC}$	CPUCS_T/C Duty Cycle	45	55	45	55	45	55	%	7,8,9
$T_{PERIOD}$	CPUCS_T/C Period	10.0	10.5	15	15.5	10.0	10.5	ns	7,8,9
$T_R / T_F$	CPUCS_T/C Rise and Fall Times	0.4	1.6	0.4	1.6	0.4	1.6	ns	7,8,13
$V_D$	Differential Voltage AC	.4	Vp+.6V	.4	Vp+.6V	.4	Vp+.6V	V	24
$V_X$	Differential Crossover Voltage	$0.5 \cdot V_D$ D -0.2	$0.5 \cdot V_{DD}$ +0.2	$0.5 \cdot V_D$ D -0.2	$0.5 \cdot V_D$ D +0.2	$0.5 \cdot V_D$ D -0.2	$0.5 \cdot V_D$ D +0.2	V	11
<b>AGP</b>									
$T_{DC}$	AGP(0:2) Duty Cycle	45	55	45	55	45	55	%	7,8,9
$T_{PERIOD}$	AGP(0:2) Period	15	16	15	16	15	16	ns	7,8,9
$T_{HIGH}$	AGP(0:2) High Time	5.25		5.25		5.25		ns	8,21
$T_{LOW}$	AGP(0:2) Low Time	5.05		5.05		5.05		ns	8,10
$T_R / T_F$	AGP(0:2) Rise and Fall Times	0.4	1.6	0.4	1.6	0.4	1.6	ns	8,13

**Notes:**

17. Probes are placed on the pins, and measurements are acquired between 0.4V and 2.4V for 3.3V signals and between 0.4V and 2.0V for 2.5V signals, and between 20% and 80% for differential signals.
18. This measurement is applicable with Spread ON or spread OFF.
19. Probes are placed on the pins, and measurements are acquired at 2.4V for 3.3V signals and at 2.0V for 2.5V signals).
20. Time specified is measured from when all VDDs reach their respective supply rail (3.3V and 2.5V) till frequency output is stable and operating within specs.
21. The typical value of VX is expected to be  $0.5 \cdot V_{DD}$  (or  $0.5 \cdot V_{DC}$  for CPUCS signals) and will track the variations in the DC level of the same.
22. VD is the magnitude of the difference between the measured voltage level on a DDRT (and CPUCS\_T) clock and the measured voltage level on its complementary DDRC (and CPUCS\_C) one.
23. Measured at VX between the rising edge and the following falling edge of the signal.
24. Measured from  $V_{OL} = 0.175V$  to  $V_{OH} = 0.525V$ .
25. Measurement taken from differential waveform, from -0.35V to +0.35V.
26. Measurements taken from common mode waveforms, measure rise/fall time from 0.41V to 0.86V. Rise/fall time matching is defined as "the instantaneous difference between maximum clk rise (fall) and minimum clk# fall (rise) time, or minimum clk rise (fall) and maximum clk# fall (rise) time". This parameter is designed for waveform symmetry.
27. Measured in absolute voltage, i.e., single-ended measurement.



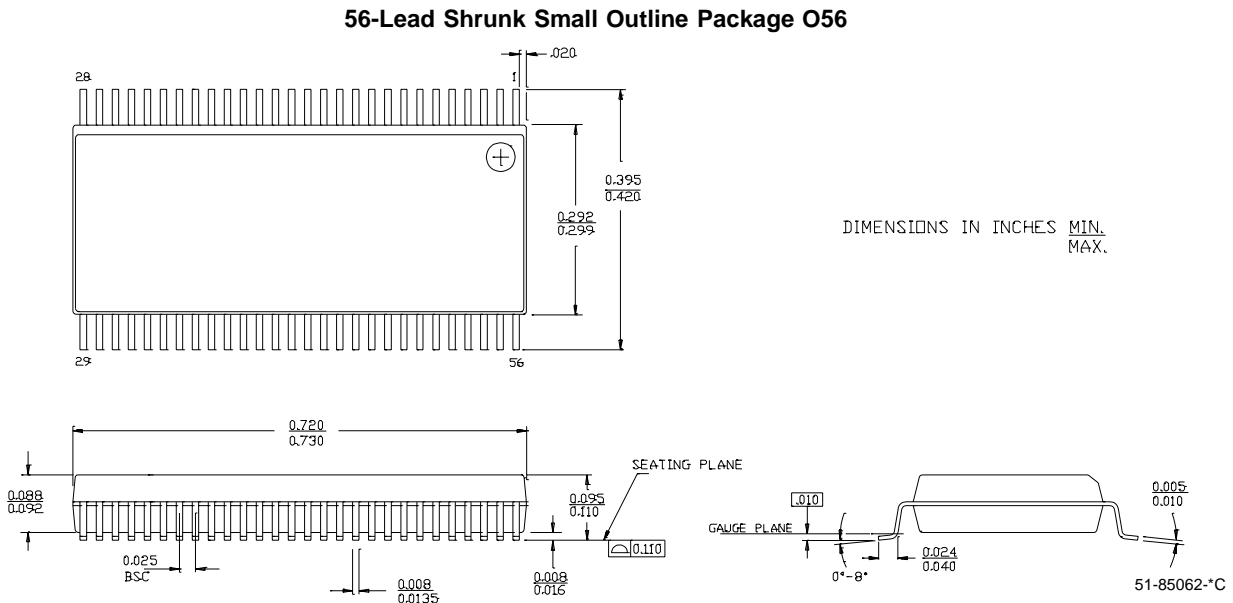
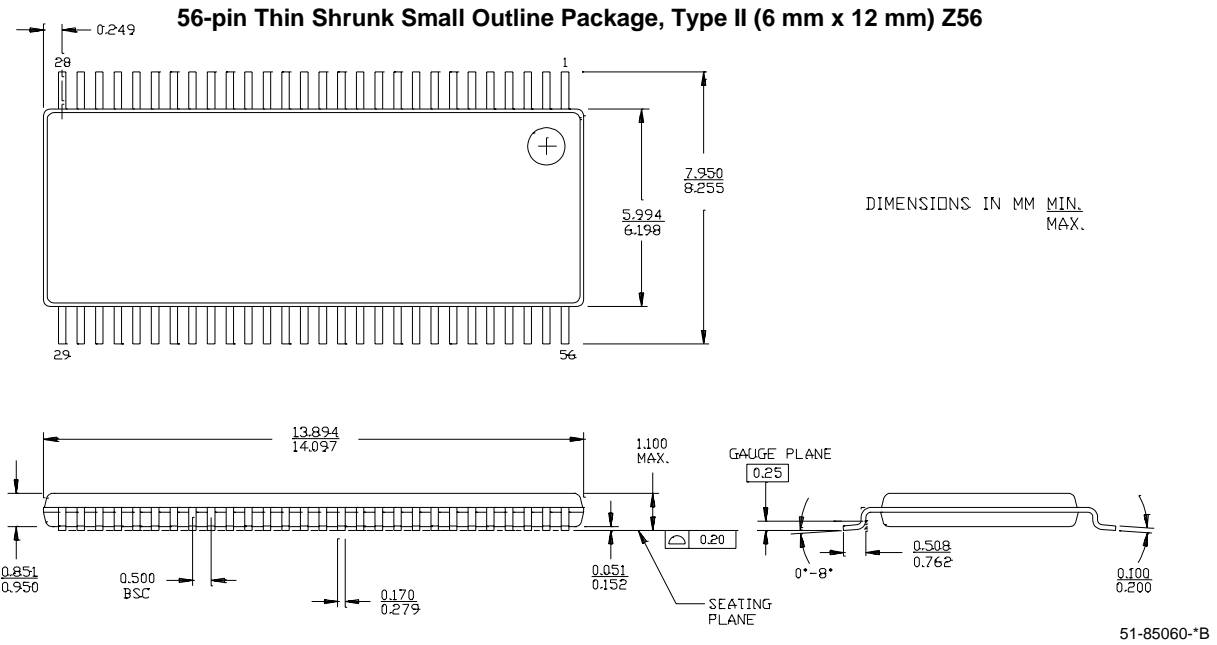
**AC Parameters** (continued)

Parameter	Description	100 MHz		133 MHz		200 MHz		Unit	Notes
		Min.	Max.	Min.	Max.	Min.	Max.		
T <sub>SKEW</sub>	Any AGP to Any AGP Clock Skew		250		250		250	ps	8,14
T <sub>CCJ</sub>	AGP(0:2) Cycle-to-Cycle Jitter		500		500		500	ps	8,9,14
<b>PCI</b>									
T <sub>DC</sub>	PCI(_F,1:6) Duty Cycle	45	55	45	55	45	55	%	7,8,9
T <sub>PERIOD</sub>	PCI(_F,1:6) Period	30.0		30.0		30.0		ns	7,8,9
T <sub>HIGH</sub>	PCI(_F,1:6) High Time	12.0		12.0		12.0		ns	8,21
T <sub>LOW</sub>	PCI(_F,1:6) Low Time	12.0		12.0		12.0		ns	8,10
T <sub>R</sub> / T <sub>F</sub>	PCI(_F,1:6) Rise and Fall Times	0.5	2.5	0.5	2.5	0.5	2.5	ns	8,13
T <sub>SKEW</sub>	Any PCI to Any PCI Clock Skew		500		500		500	ps	8,14
T <sub>CCJ</sub>	PCI(_F,1:6) Cycle-to-Cycle Jitter		500		500		500	ps	8,9,14
<b>48 MHz</b>									
T <sub>DC</sub>	48-MHz Duty Cycle	45	55	45	55	45	55	%	7,8,9
T <sub>PERIOD</sub>	48-MHz Period	20.8299	20.8333	20.8299	20.8333	20.8299	20.8333	ns	7,8,9
T <sub>R</sub> / T <sub>F</sub>	48-MHz Rise and Fall Times	1.0	4.0	1.0	4.0	1.0	4.0	ns	8,13
T <sub>CCJ</sub>	48-MHz Cycle-to-Cycle Jitter		500		500		500	ps	8,9,14
<b>24 MHz</b>									
T <sub>DC</sub>	24-MHz Duty Cycle	45	55	45	55	45	55	%	7,8,9
T <sub>PERIOD</sub>	24-MHz Period	41.660	41.667	41.660	41.667	41.660	41.667	ns	7,8,9
T <sub>R</sub> / T <sub>F</sub>	24-MHz Rise and Fall Times	1.0	4.0	1.0	4.0	1.0	4.0	ns	8,13
T <sub>CCJ</sub>	24-MHz Cycle-to-Cycle Jitter		500		500		500	ps	8,9,14
<b>REF</b>									
T <sub>DC</sub>	REF Duty Cycle	45	55	45	55	45	55	%	7,8,9
T <sub>PERIOD</sub>	REF Period	69.841 3	71.0	69.841 3	71.0	69.841 3	71.0	ns	7,8,9
T <sub>R</sub> / T <sub>F</sub>	REF Rise and Fall Times	1.0	4.0	1.0	4.0	1.0	4.0	ns	8,13
T <sub>CCJ</sub>	REF Cycle-to-Cycle Jitter		1000		1000		1000	ps	8,9,14
<b>DDR</b>									
V <sub>X</sub>	Crossing Point Voltage of DDRT/C	0.5*V <sub>DD</sub> -0.2	0.5*V <sub>DDD</sub> +0.2	0.5*V <sub>DD</sub> -0.2	0.5*V <sub>DD</sub> +0.2	0.5*V <sub>DD</sub> -0.2	0.5*V <sub>DD</sub> +0.2	V	15
V <sub>D</sub>	Differential Voltage Swing	0.7	V <sub>DDD</sub> + 0.6	0.7	V <sub>DDD</sub> + 0.6	0.7	V <sub>DDD</sub> + 0.6	V	23
T <sub>DC</sub>	DDRT/C(0:5) Duty Cycle	45	55	45	55	45	55	%	11
T <sub>PERIOD</sub>	DDRT/C(0:5) Period	9.85	10.2	14.85	15.3	9.85	10.2	ns	11
T <sub>R</sub> / T <sub>F</sub>	DDRT/C(0:5) Rise/Fall Slew Rate	1	3	1	3	1	3	V/ns	13
T <sub>SKEW</sub>	DDRT/C to any DDRT/C Clock Skew		100		100		100	ps	8,14,11
T <sub>CCJ</sub>	DDRT/C(0:5) Cycle-to-Cycle Jitter		±75		±75		±75	ps	8,14,11
T <sub>HPJ</sub>	DDRT/C(0:5) Half-period Jitter		±100		±100		±100	ps	8,14,11
T <sub>DELAY</sub>	BUF_IN to Any DDRT/C Delay	1	4	1	4	1	4	ns	8,9
T <sub>SKEW</sub>	FBOU to Any DDRT/C Skew		100		100		100	ps	8,9
T <sub>STABLE</sub>	All-Clock Stabilization from Power-up		3		3		3	ms	22

Ordering Information

Part Number	Package Type	Product Flow
CY28341OC-2	56-pin Shrunk Small Outline package (SSOP)	Commercial, 0° to 70°C
CY28341OC-2T	56-pin Shrunk Small Outline package (SSOP)-Tape and Reel	Commercial, 0° to 70°C
CY28341ZC-2	56-pin Thin Shrunk Small Outline package(TSSOP)	Commercial, 0° to 70°C
CY28341ZC-2T	56-pin Thin Shrunk Small Outline package(TSSOP)-Tape and Reel	Commercial, 0° to 70°C

Package Drawing and Dimensions



Purchase of I<sup>2</sup>C components from Cypress or one of its sublicensed Associated Companies conveys a license under the Philips I<sup>2</sup>C Patent Rights to use these components in an I<sup>2</sup>C system, provided that the system conforms to the I<sup>2</sup>C Standard Specification as defined by Philips. VIA is a trademark of VIA Technologies, Inc. Pentium 4 is a registered trademark of Intel Corporation. Athlon is a trademark of AMD Corporation, Inc. Dial-a-Frequency is a registered trademark, and Dial-a-Skew, Dial-a-dB, and Dial-a-Ratio are trademarks, of Cypress Semiconductor. All product and company names mentioned in this document are the trademarks of their respective holders.

**Document History Page**

Document Title: CY28341-2 Universal Clock Chip for VIA™P4M/KT/KM400 DDR Systems				
Document Number: 38-07471				
REV.	ECN NO.	Issue Date	Orig. of Change	Description of Change
**	118589	09/18/02	RGL	New Data Sheet
*A	122938	12/19/02	RBI	Add power up requirements to maximum ratings information
*B	124914	04/23/03	RGL	Fixed pin 1 and pin 2 in Pin Description table Added KT400 feature to Features section Corrected <i>Figure 8</i> (K7 Load Termination) diagram Simplified title
*C	127161	06/10/03	RGL	Fixed Spread Spectrum table