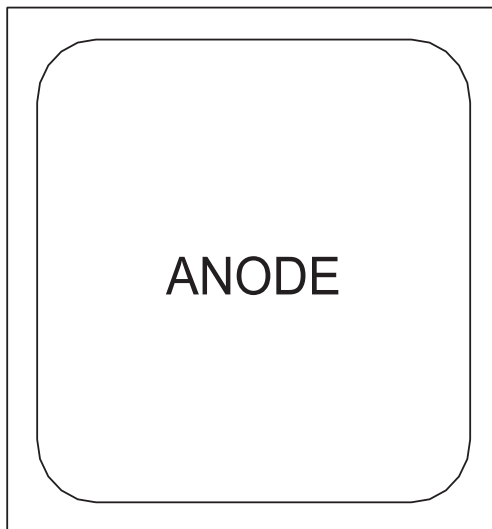


PROCESS DETAILS

Process	GLASS PASSIVATED MESA
Die Size	50 x 50 MILS
Die Thickness	9.5 MILS
Anode Bonding Pad Area	34 x 34 MILS
Top Side Metalization	Au - 5,000Å
Back Side Metalization	Au - 2,000Å

GEOMETRY



BACKSIDE CATHODE R0

GROSS DIE PER 4 INCH WAFER

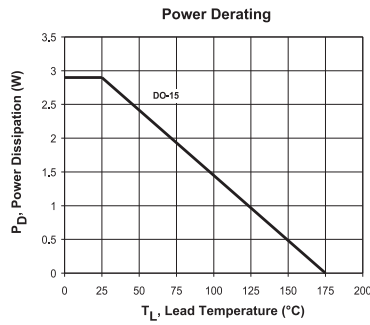
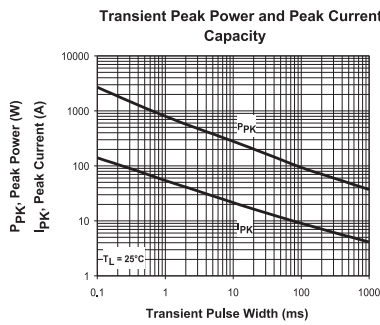
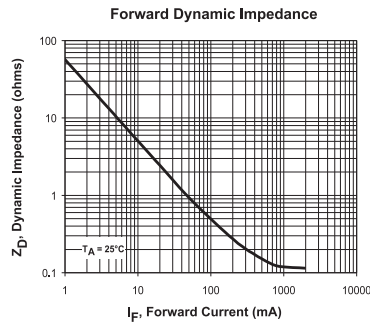
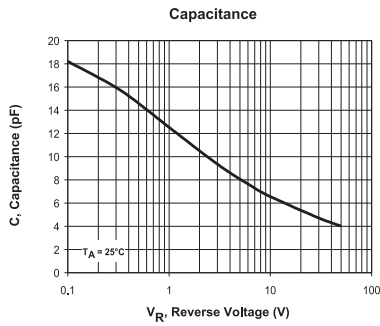
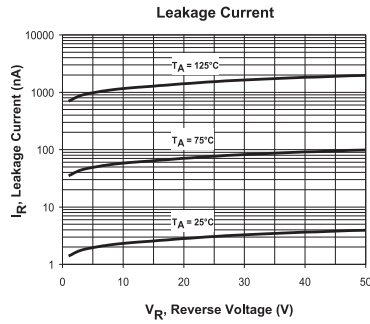
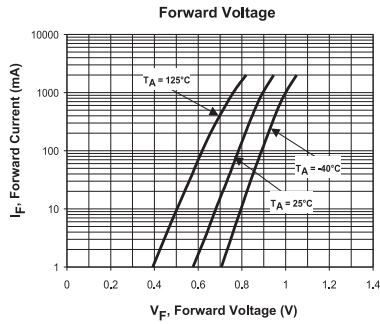
4,520

PRINCIPAL DEVICE TYPES

1N3611 thru 1N3614
1N4001 thru 1N4007
1N4245 thru 1N4249
1N5059 thru 1N5062
1N5391 thru 1N5399
1N5614 thru 1N5622
CMR1-02 Series
CMR1-02M Series

145 Adams Avenue
Hauppauge, NY 11788 USA
Tel: (631) 435-1110
Fax: (631) 435-1824
www.centalsemi.com

R2 (16-September 2003)



145 Adams Avenue
Hauppauge, NY 11788 USA
Tel: (631) 435-1110
Fax: (631) 435-1824
www.centrasemi.com

R2 (16-September 2003)