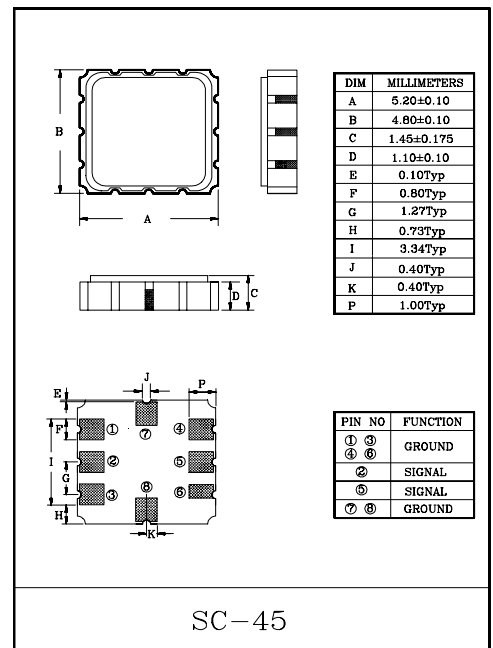
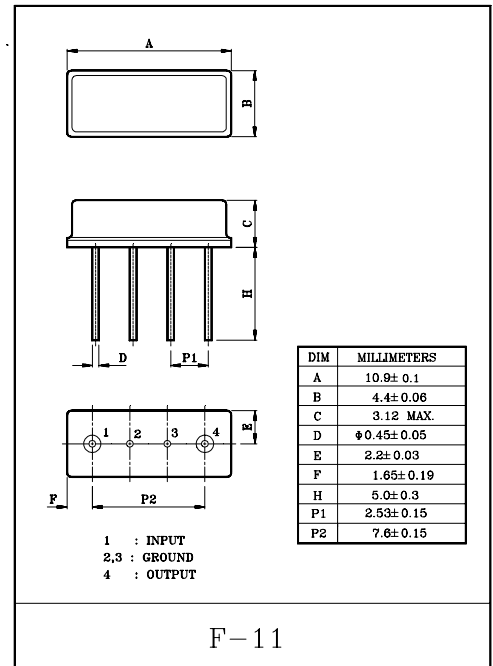


Band pass filters for the receiving RF circuits of pager

- High stability and reliability with good performance.
- Low insertion loss and deep stop band attenuation for interference.

### MAXIMUM RATINGS (T<sub>a</sub>=25°C)

| ITEM                        | SYMBOL            | RATING  | UNIT |
|-----------------------------|-------------------|---------|------|
| Input Signal Level          | IS <sub>max</sub> | 0       | dBm  |
| DC Permissive Voltage       | V <sub>DC</sub>   | +10     | V    |
| Operating Temperature Range | T <sub>opr</sub>  | -10~+50 | °C   |
| Storage Temperature Range   | T <sub>stg</sub>  | -30~+85 | °C   |

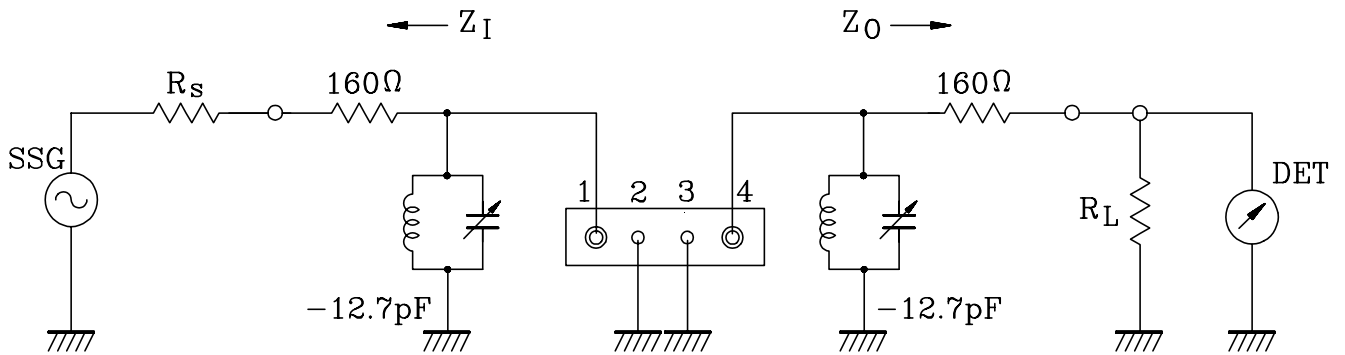


### ELECTRICAL CHARACTERISTICS (Temperature 20±2°C, Humidity 65±5%)

| ITEMS                    | SYMBOL                           | TEST CONDITION                              | MIN.                | TYP.           | MAX. | UNIT |
|--------------------------|----------------------------------|---|---------------------|----------------|------|------|
| Nominal Center Frequency | f <sub>0</sub>                   |   | -                   | 171            | -    | MHz  |
| Bandwidth                | BW <sub>3dB</sub>                |   | f <sub>0</sub> ±4.0 | -              | -    | MHz  |
| Insertion Loss           | IL <sub>PASS</sub>               | f <sub>0</sub> ±4.0MHz                      | -                   | -              | 6.0  | dB   |
| Rejection Level          | IL <sub>STOP</sub>               | f <sub>0</sub> -100~f <sub>0</sub> -38.8MHz | 50                  | -              | -    | dB   |
|                          |                                  | f <sub>0</sub> +38.8~f <sub>0</sub> +100MHz | 42                  | -              | -    | dB   |
| Input/Output Impedance   | Z <sub>i</sub> (Z <sub>o</sub> ) |   | -                   | 210Ω// -12.7pF | -    | -    |

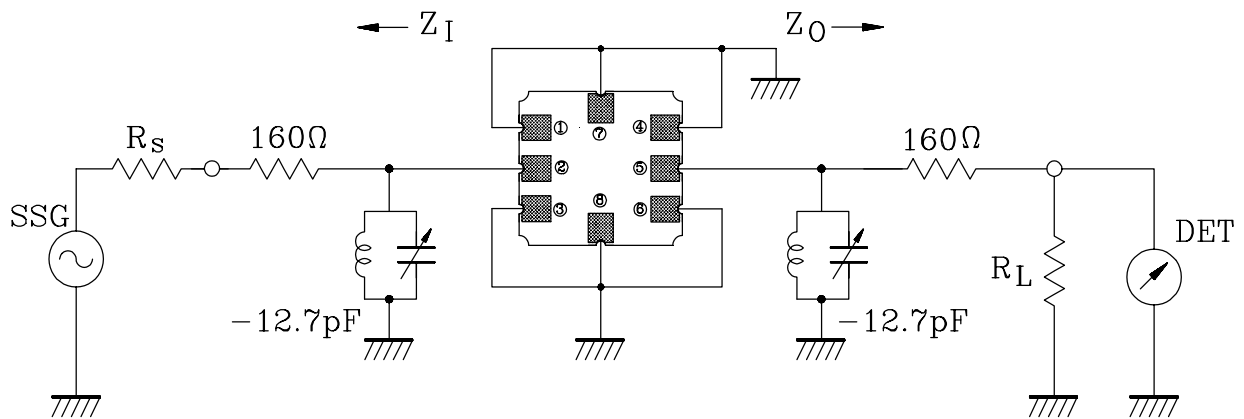
# KF171/S

## TEST CIRCUIT



1 : Input    2,3 : Ground    4 : Output

$R_s, R_L : 50\Omega$  (Internal Impedance of Source and Load)



② : INPUT    ①,③,④,⑥,⑦,⑧ : GROUND    ⑤ : OUTPUT

# KF171/S

