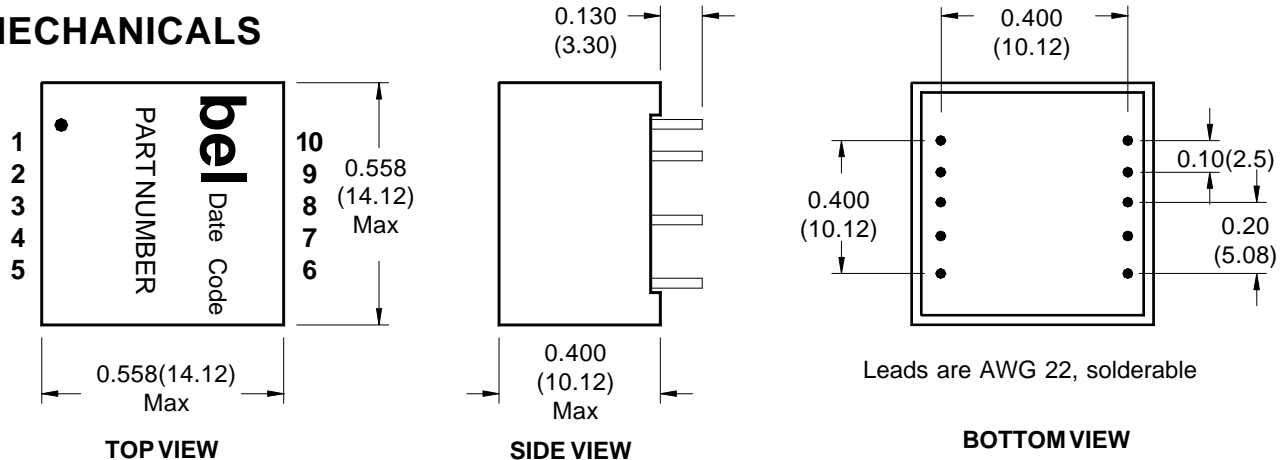


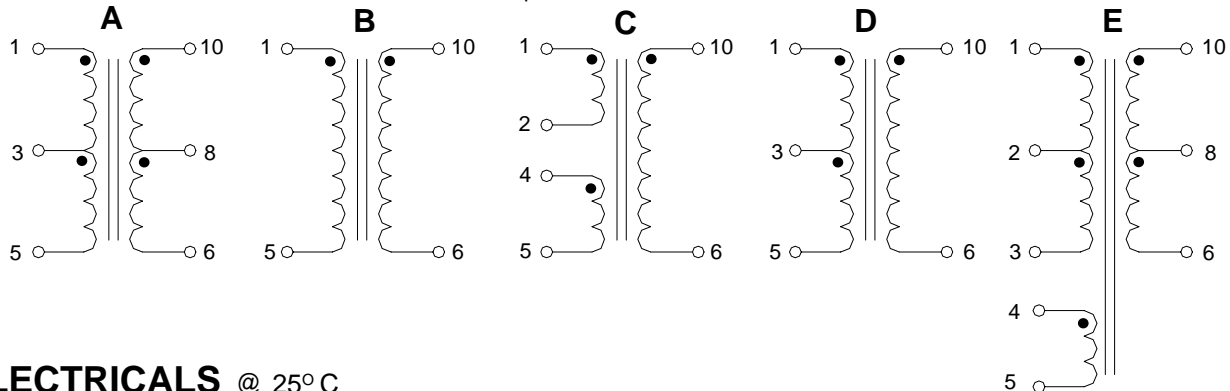
T1/CEPT/ISDN-PRI TRANSFORMERS ENHANCED 3000VRMS ISOLATION

TM0005

MECHANICALS



SCHEMATICS



ELECTRICALS @ 25°C

Part Number	Turns Ratio +/- 2%	Primary Pins	OCL Primary (mH) Min	C _{ww} (pF) Max	L _L (μH) Max	DCR Pri (ohms) Max	DCR Sec (ohms) Max	Schem.
0553-6500-19	1:1	1-5	1.20	30	0.50	0.70	0.70	B
0553-6500-20	1CT:2CT	1-5	1.20	30	0.30-0.50	0.70	1.10	A
0553-6500-21	1:1.36CT	10-6	1.20	35	0.60	0.70	0.90	D
0553-6500-22	1:1:2	1-5(2,4 sh)	0.80	25	0.50	0.70	0.70	C
0553-6500-23	1:1:1.58	1-5 (2,4 sh)	0.80	18	0.70	0.70	0.50	C
Extended Temperature Units, -40°C to 85°C								
0553-6500-17	1:1:1.26	10-6	1.50	35	0.60	0.70	1.10	D
0553-6500-18	1CT:2CT	1-5	1.20	30	0.55	0.70	1.10	A
0553-6500-24	1CT:3CT:1	1-3	0.60	30	0.80	0.70	1.70	E

Corporate Office
 Bel Fuse Inc.
 198 Van Vorst Street, Jersey City, NJ 07302-4496
 Tel: 201-432-0463
 Fax: 201-432-9542
 E-Mail: BelFuse@belfuse.com
 Internet: http://www.belfuse.com

Far East Office
 Bel Fuse Ltd.
 8F/8 Luk Hop Street
 San Po Kong
 Kowloon, Hong Kong
 Tel: 852-2328-5515
 Fax: 852-2352-3706

European Office
 Bel Fuse Europe Ltd.
 Preston Technology Management Centre
 Marsh Lane, Preston PR1 8UD
 Lancashire, U.K.
 Tel: 44-1772-556601
 Fax: 44-1772-888366