

POWER MAGNETICS
Through Hole Inductor

TM9972P

- Designed for use in multiple LAN and telecom applications including notebook computers, laptops and desktop PCs
- Automated assembly processes guarantee built-in reliability and quality performance
- Operating temperature range -30° C to 130° C

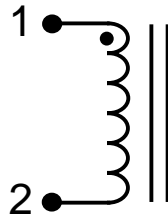
ELECTRICAL SPECIFICATIONS at 25° C

Part Number	Inductance $\mu\text{H} \pm 10\%$	DCR Ω max	Inductance* $\mu\text{H} \pm 20\%$
			with 2.5ADC Bias
0581-5999-05	130	0.10	100

* Measured at 1KHz, 250m Vac

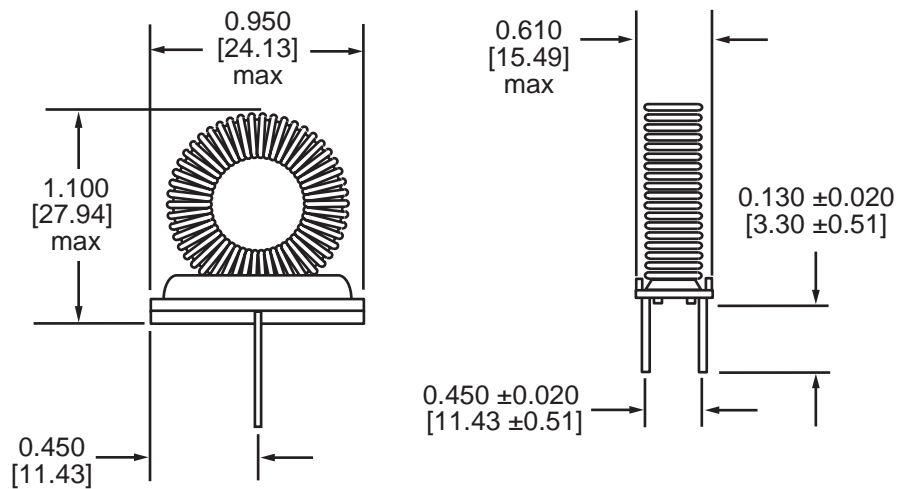
SCHEMATIC

0581-5999-05



MECHANICAL

0581-5999-05



Dimensions are in inches [millimeters].
Standard dimension tolerance is ± 0.010 [0.25] unless otherwise noted.

CORPORATE

Bel Fuse Inc.
198 Van Vorst Street
Jersey City, NJ 07302
Tel 201-432-0463
Fax 201-432-9542
www.belfuse.com

FAR EAST

Bel Fuse Ltd.
8F / 8 Luk Hop Street
San Po Kong
Kowloon, Hong Kong
Tel 852-2328-5515
Fax 852-2352-3706
www.belfuse.com

EUROPE

Bel Fuse Europe Ltd.
Preston Technology Management Centre
Marsh Lane, Suite F23, Preston
Lancashire, PR1 8UD, U.K.
Tel 44-1772-556601
Fax 44-1772-888366
www.belfuse.com