

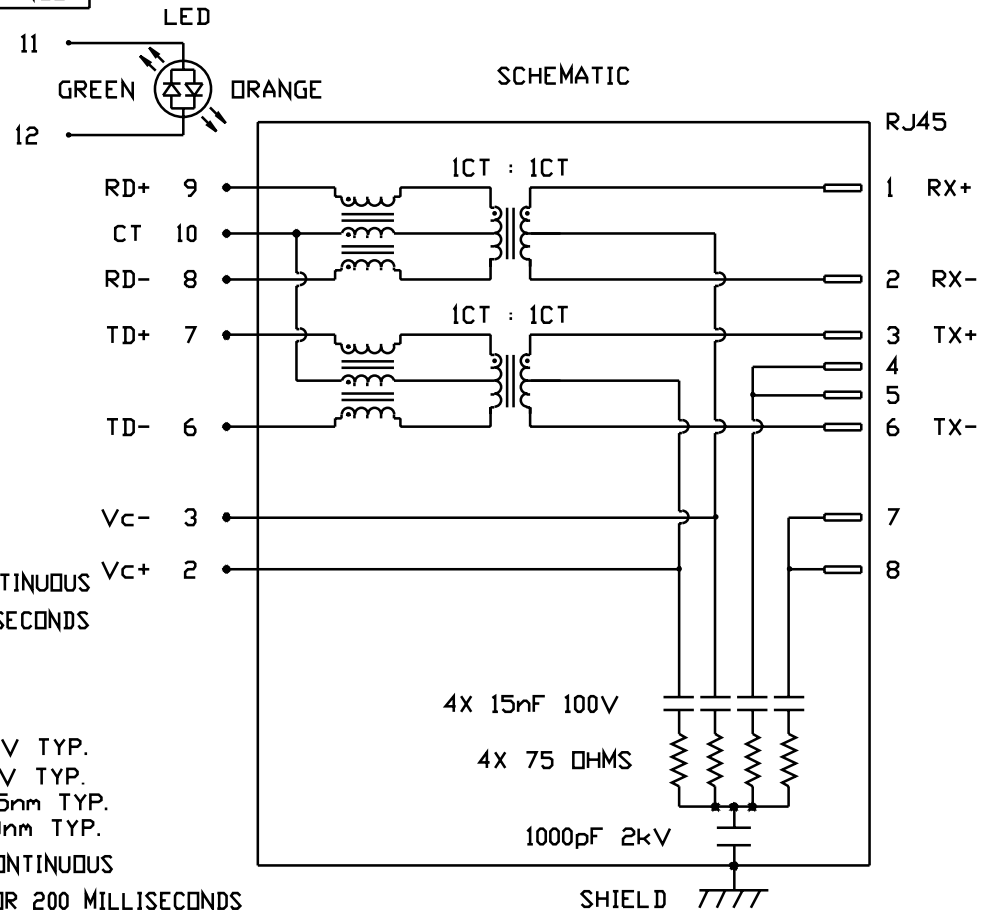
INTEGRATED CONNECTOR MODULES

0864-2X6R-55 Power over Ethernet MagJack® 2 x 6 with LEDs

LED POLARITY		
PIN 11	PIN 12	COLOR
-	+	GREEN
+	-	ORANGE

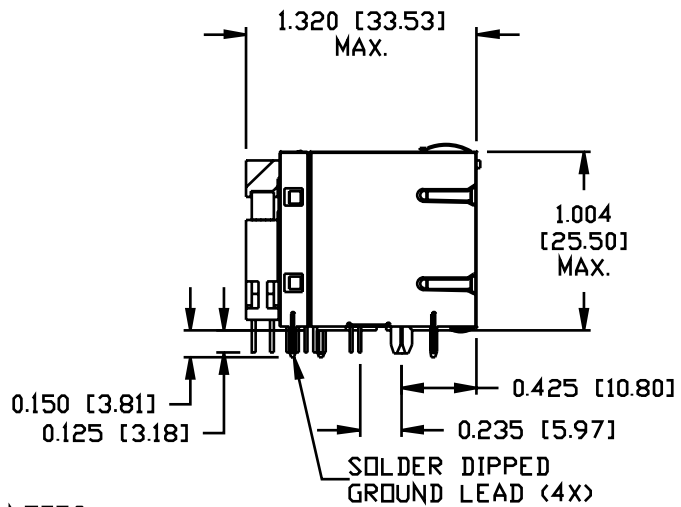
ELECTRICAL CHARACTERISTICS @ 25°C

TURNS RATIO	1CT : 1CT ±2%	
□CL @ 0.1V, 100KHz	350μH MIN.	
8mA DC BIAS		
INSERTION LOSS		
100KHz TO 100MHz	-1.5 dB MAX.	
RETURN LOSS (MIN.)		
2MHz-30MHz	16 dB MIN.	
60MHz-80MHz	10 dB MIN.	
LEAKAGE INDUCTANCE		
PRIMARY W/ SECONDARY SHORTED	0.25μH MAX. @ 1MHz	
D.C. RESISTANCE		
(9-8)=(7-6)	1.40 Ω MAX.	
(RJ1-RJ2)=(RJ3-RJ6)	1.0 Ω MAX.	
INTERWINDING CAPACITANCE		
PER CHANNEL (PRI. to SEC.)	40 pF MAX.	
CROSSTALK		
100KHz TO 100MHz	-30 dB MIN.	
BALANCED DC LINE CURRENT	350mA MAX. @ 57 VDC CONTINUOUS	
	500mA MAX. @ 57 VDC FOR 200 MILLSECONDS	
HIPOT (Isolation Voltage):	2250 VDC	
100% OF PRODUCT TESTED IN PRODUCTION		
LED		
V _F (FORWARD VOLTAGE)	I _F =20mA GREEN 2.2V TYP.	
	ORANGE 2.0V TYP.	
λ _D (DOMINANT WAVELENGTH)	I _F =20mA GREEN 565nm TYP.	
	ORANGE 610nm TYP.	
BALANCED DC LINE CURRENT	350 mA MAX. @ 57 VDC CONTINUOUS	
	500 mA MAX. @ 57 VDC FOR 200 MILLSECONDS	



INTEGRATED CONNECTOR MODULES

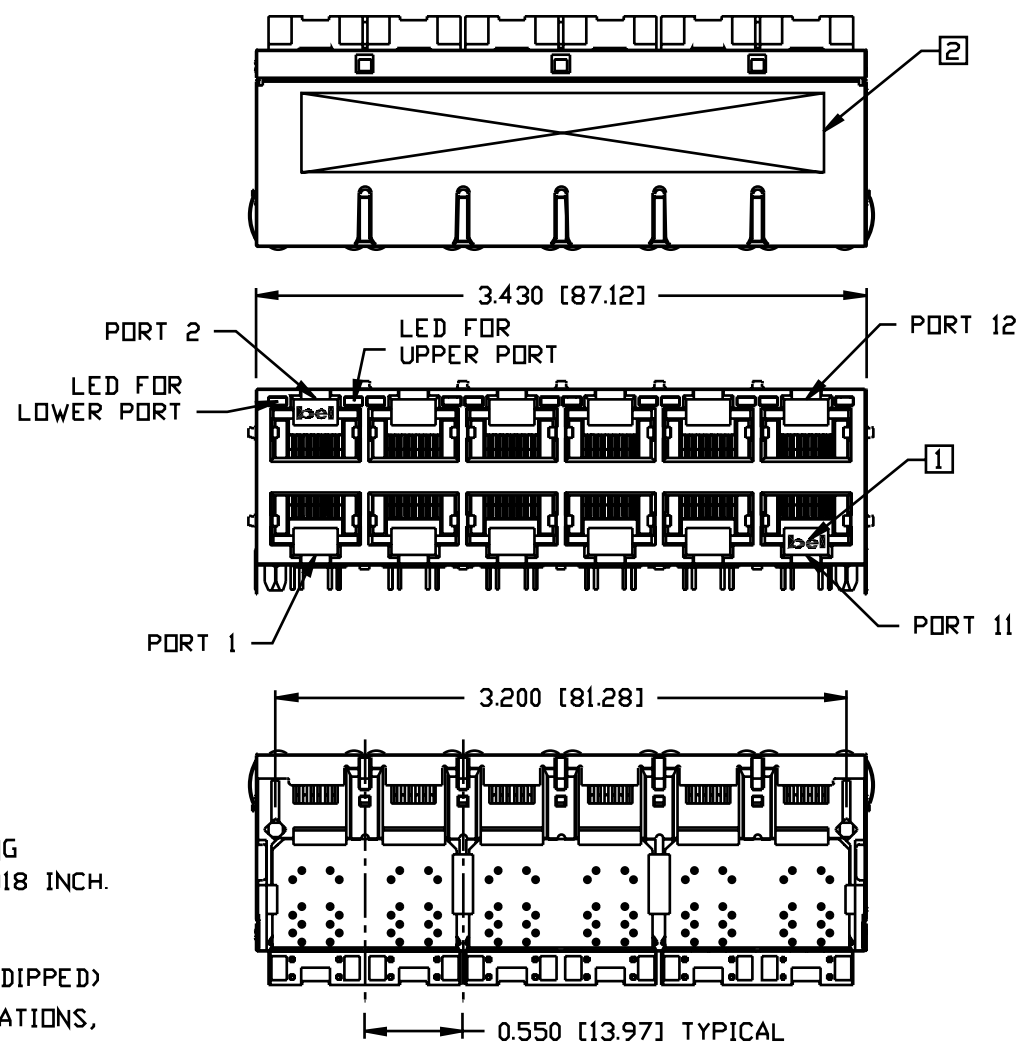
0864-2X6R-55 Power over Ethernet MagJack® 2 x 6 with LEDs



NOTES:

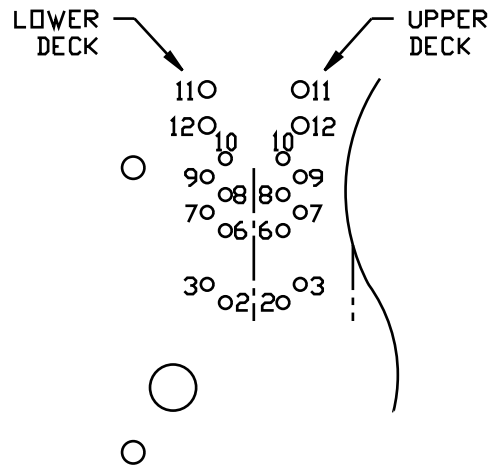
- PLASTIC HOUSING: THERMOPLASTIC PBT
FLAMMABILITY RATING UL 94V-0
- CONTACT PLATING: 50 MICRO-INCH HARD GOLD PLATING
- OUTPUT PINS: TIN-COATED COPPER WIRE, DIA 0.018 INCH.
- SOLDERABILITY: PER MIL STD. 202, METHOD 208.
- METAL SHIELD: NICKEL PLATED COPPER ALLOY.
(ALL GROUND LEADS ARE SOLDER DIPPED)

- 1. JACK CAVITY CONFORMS TO FCC RULES AND REGULATIONS, PART 68 SUBPART F.
- 2. MARK PART WITH MFG LOGO, MFG NAME, PART NUMBER, AND DATE CODE.

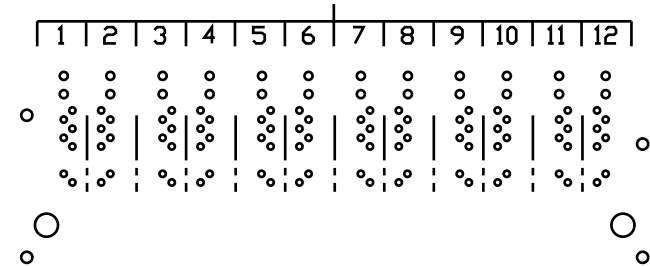


INTEGRATED CONNECTOR MODULES

0864-2X6R-55 Power over Ethernet MagJack® 2 x 6 with LEDs



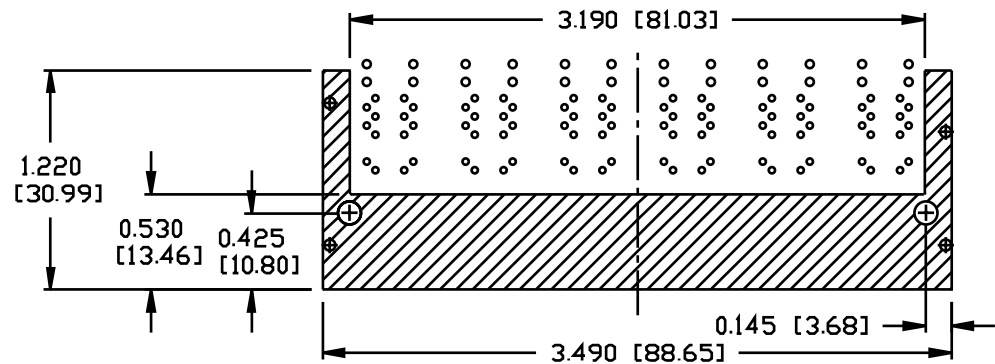
PORT ASSIGNMENT
(COMPONENT SIDE VIEW)



PIN-OUT INFORMATION
(COMPONENT SIDE VIEW)

12	GRN (+)/ORG (-)
11	GRN (-)/ORG (+)
10	COMMON CT
9	RD+
8	RD-
7	TD+
6	TD-
5	NO PIN
4	NO PIN
3	Vc-
2	Vc+
1	NO PIN

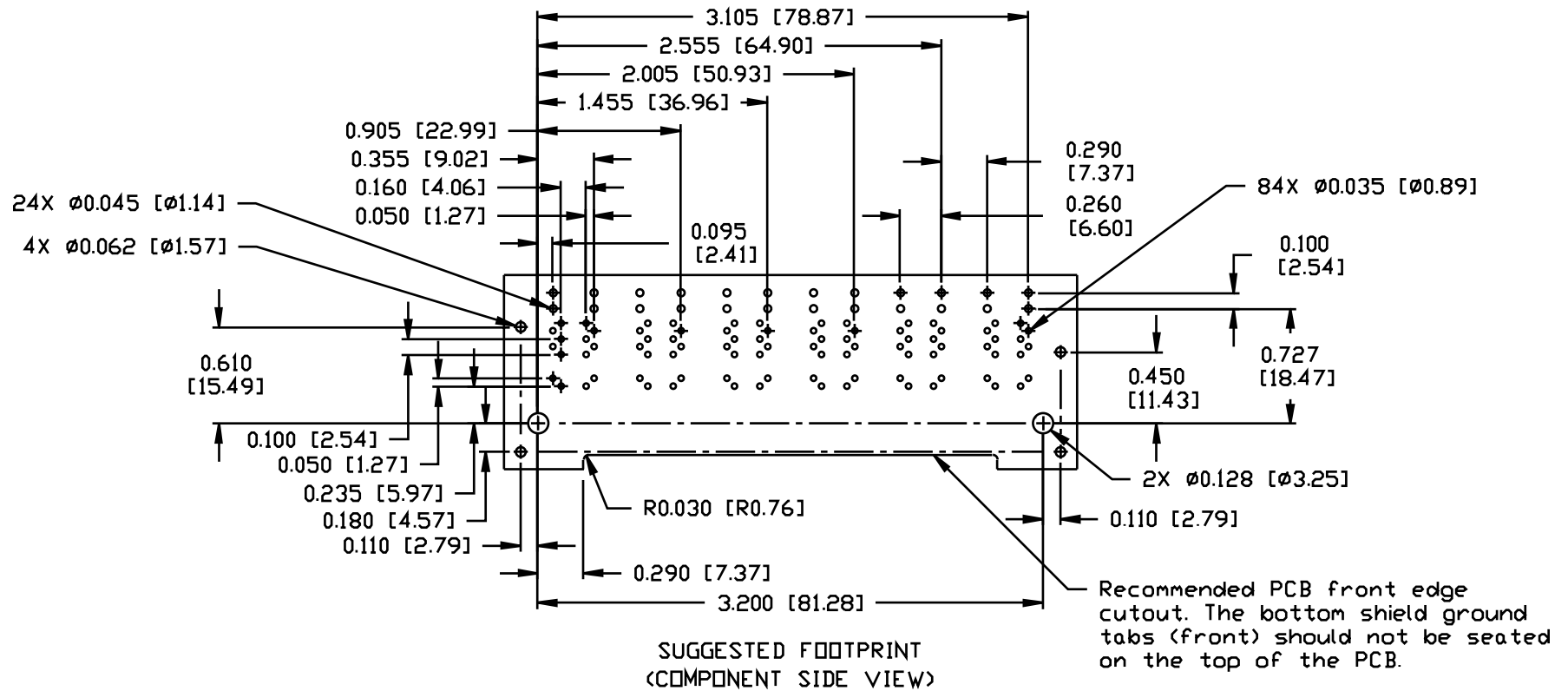
UNUSED PIN LOCATIONS MUST BE REMOVED TO ENSURE 2KV ISOLATION.



THE SHADED AREA OF BOTTOM SIDE OF PART MAY BE COVERED BY METAL SHIELD.

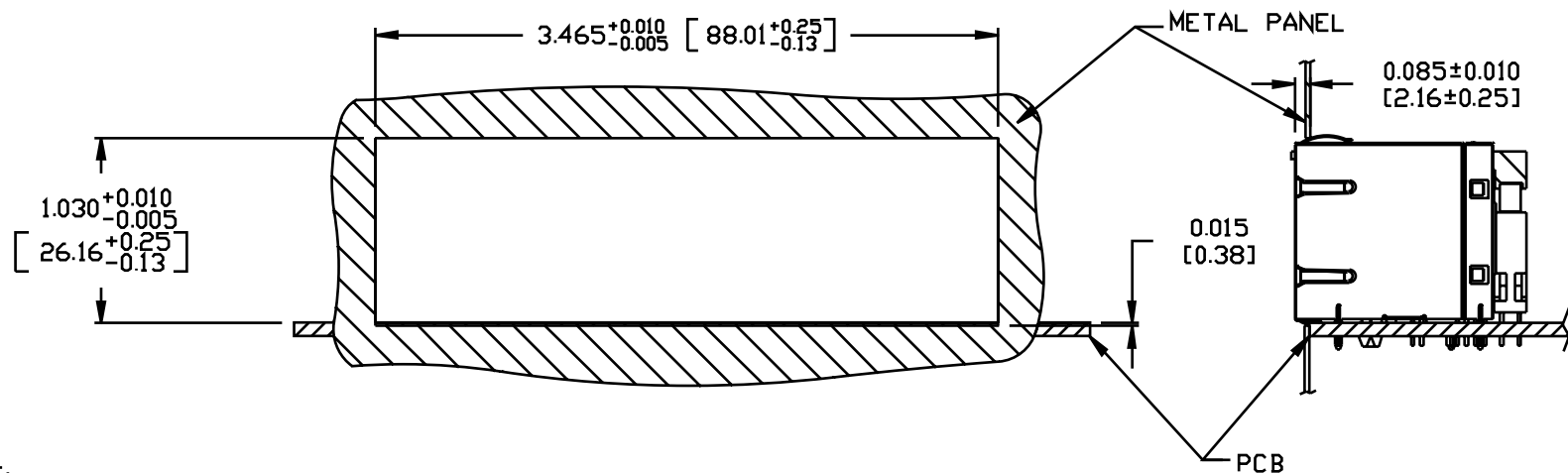
INTEGRATED CONNECTOR MODULES

0864-2X6R-55 Power over Ethernet MagJack® 2 x 6 with LEDs



INTEGRATED CONNECTOR MODULES
0864-2X6R-55 Power over Ethernet MagJack® 2 x 6 with LEDs

SUGGESTED PANEL OPENING



NOTE:
 THE DISTANCE OF PANEL INSIDE SURFACE RELATIVE TO FRONT SURFACE OF PART IS ONLY A SUGGESTION.
 IN CASE THIS DISTANCE IS DIFFERENT, THE REQUIRED PANEL OPENING DIMENSIONS CHANGE ACCORDINGLY.

PACKING INFORMATION

PACKING TRAY : 0200-9999-E1 (TOP)
 0200-9999-F5 (BOTTOM)

PACKING QUANTITY : 15 PCS FINISHED GOODS PER TRAY
 6 TRAY (90 PCS FINISHED GOODS) PER CARTON BOX

NOTE : CARDBOARDS ARE PLACED BETWEEN LAYERS OF PACKING TRAY INSIDE CARTON BOX
 (INCLUDE THE UPPERMOST AND LOWERMOST TRAY)