

FEATURES

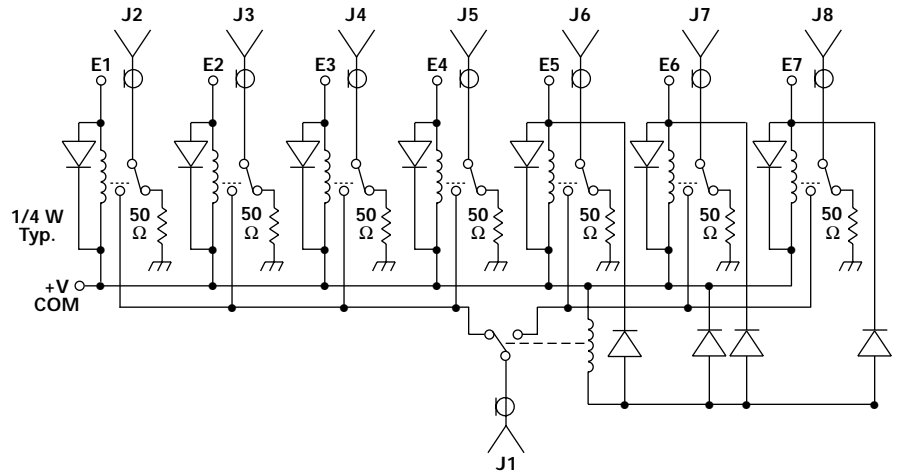
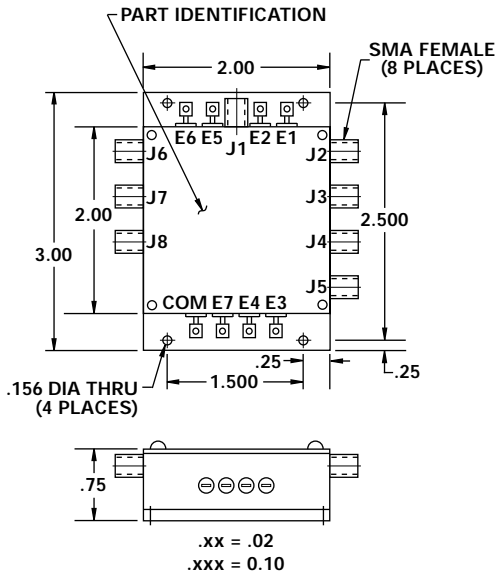
- DC - 200 MHz
- 0.5 dB Insertion Loss
- Non-Reflective
- 25 Watt CW
SMA Connectors



MODEL NO.
100C1094

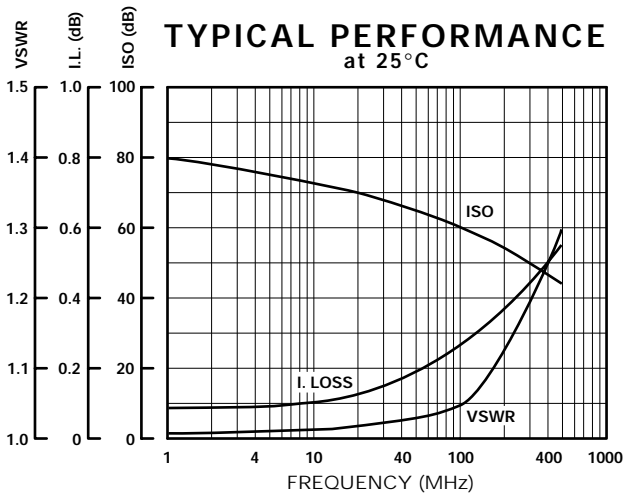
SP7T RELAY

SP7T



GUARANTEED PERFORMANCE

Parameter	Min	Typ	Max	Units	Conditions
Operating Frequency	DC		200	MHz	
DC Voltage					See Table
Insertion Loss		0.35	0.5	dB	
Isolation	50	53		dB	
VSWR	Thru	1.1/1	1.25/1		
Impedance		50		OHMS	
Switching Speed			5	mSEC	
RF Power	Operate		25	W	CW (Thru)
Operating Temperature	-55	+25	+85	°C	TA



Voltage	Current - Typical
6	130 mA per throw
12	64 mA per throw
18	42 mA per throw
26	34 mA per throw

PART NO. EXAMPLE - SEE TABLE
100C1094 - 26
Basic Part Number | Dash No. same as coil voltage