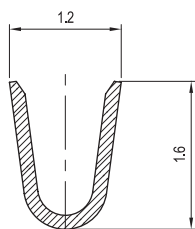
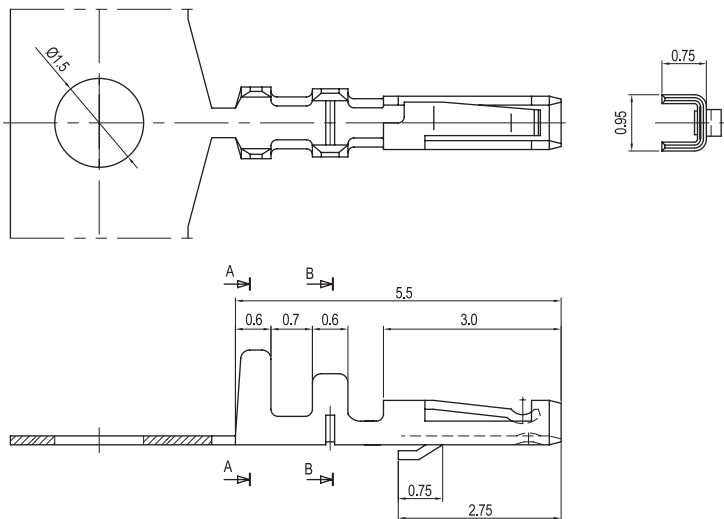
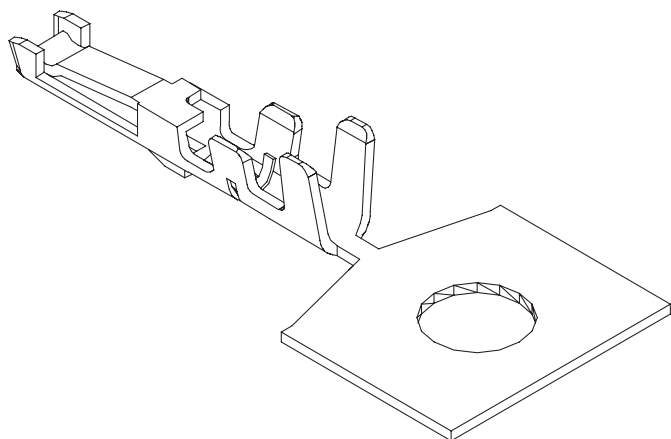


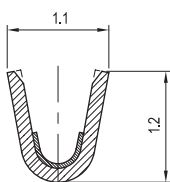
1.25mm (0.049") PITCH CONNECTOR

Wire-to-Board
Crimp Terminal

12513TS



SECTION A-A'



SECTION B-B'

Material

I/NO	DESCRIPTION	TITLE	AWG	MATERIAL	FINISH
1	TERMINAL	12513TS	#28-#32	Phosphor Bronze	Gold Plated

Specification

ITEM	SPEC
Voltage Rating	AC/DC 125V
Current Rating	AC/DC 1A
Operating Temperature	-25°C~+85°C
Contact Resistance	30mΩ MAX
Withstanding Voltage	AC250V/1min
Insulation Resistance	100MΩ MIN
Applicable Wire	AWG #28~#32
Applicable P.C.B	-
Applicable FPC/FFC	-
Solder Height	-
Crimp Tensile Strength	AWG #28 : 1.0kgfMIN AWG #30 : 0.8kgfMIN AWG #32 : 0.5kgfMIN
UL FILE NO	-