

Gold Bonded**1N60A****Germanium Diodes**

Optimized for Radio Frequency Response

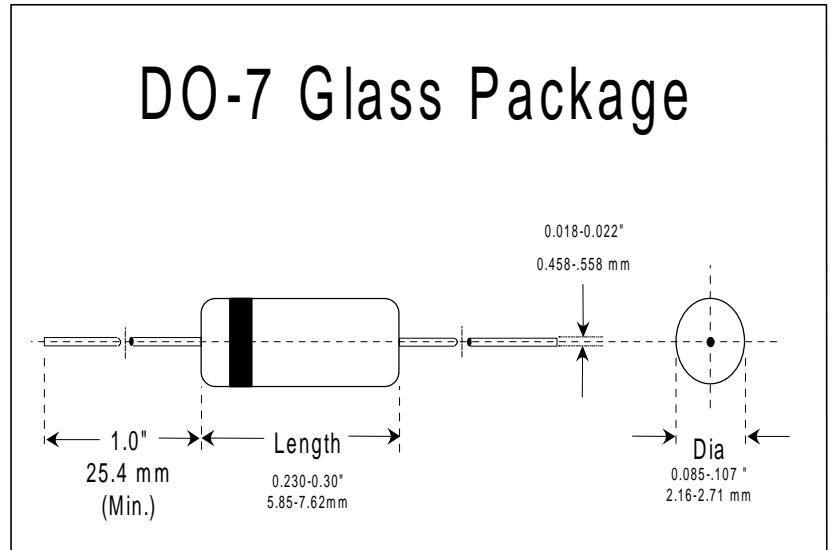
Can be used in many AM, FM and TV-IF applications, replacing point contact devices.

Applications

- AM/FM detectors
- Ratio detectors
- FM discriminators
- TV audio detectors
- RF input probes
- TV video detectors

Features

- Lower leakage current
- Flat junction capacitance
- High mechanical strength
- At least 1 million hours MTBF
- BKC's Sigma-Bond™ plating for problem free solderability



Absolute Maximum Ratings at $T_{amb} = 25\text{ }^{\circ}\text{C}$

Parameter	Symbols	Min.	Max.	Units
Peak Inverse Voltage	PIV	**	45	Volts
Peak Forward Surge Current Non-Repetitive, $t = 1$ Second	I_{FSM}		0.2	Amps
Peak Forward Surge Current Repetitive	I_{FSR}		50	mA
Average Rectified Forward Current	I_O		50	mA
Operating and Storage Temperatures	$T_{J\&STG}$	-55	+75	$^{\circ}\text{C}$

Electrical Characteristics at $T_{amb} = 25\text{ }^{\circ}\text{C}$

Parameter	Test Conditions	Symbols	Min.	Typ.	Max.	Units
Forward Voltage Drop	$I_F = 5\text{ mA}$	V_F		**	1.0	Volts
Breakdown Voltage	$I_R = 1.0\text{ mA}$	PIV	45			Volts
Reverse Leakage	$V_R = 10\text{ Volts}$	I_R		**	65	μA
Dynamic Resistance Input cycles @40 MHz Modulated @ 400 Hz Input Voltage 1.6 VRMS Without modulation RC Filter Network $R=4.7\text{ K}, C=5\text{ pF}$		DR	1.55			Volts(p-p)



6 Lake Street - Lawrence, MA 01841

Tel: 978-681-0392 - Fax: 978-681-9135