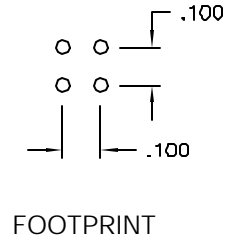
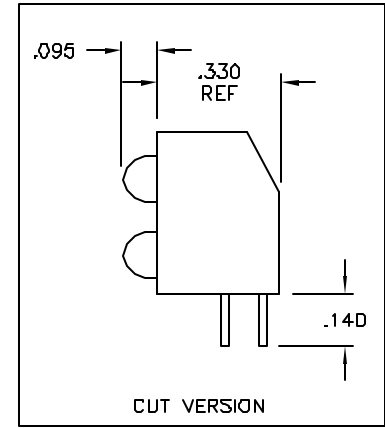
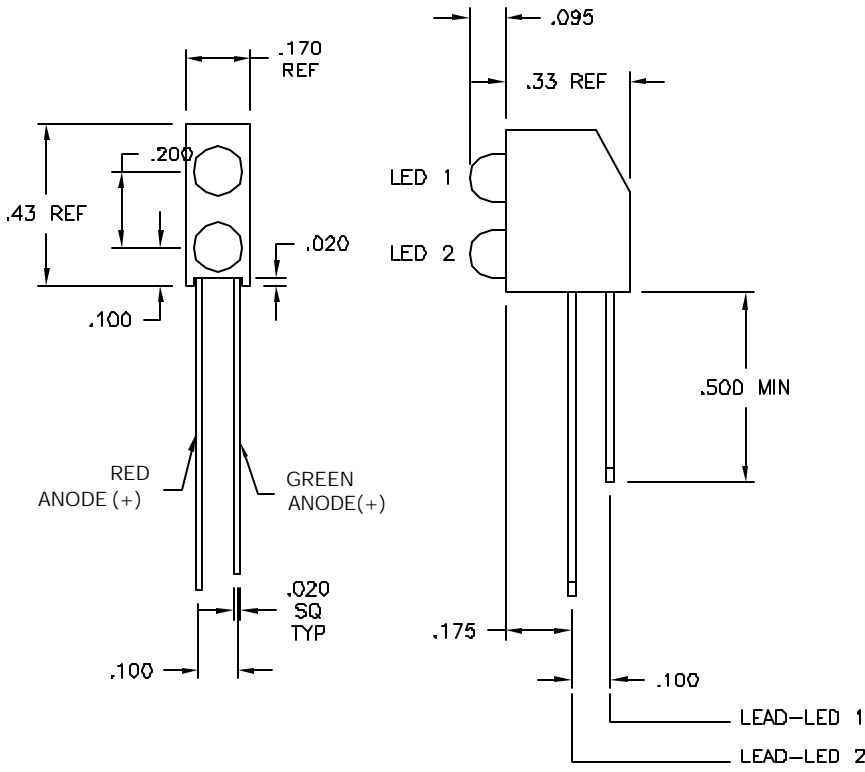
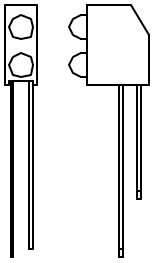


Actual Size



LEDTRONICS PART NO.	LED POS.	LED RADIATION COLOR	ABSOLUTE MAXIMUM RATING (Ta=25°C)				ELECTRO-OPTICAL CHARACTERISTICS (Ta=25°C)				
			Pd mW	If mA	If mA	Vr V	If=mA typ	Iv med min/typ	Vf=V typ/max	Ir max μA	λP nm
21PCT170TWRG4B	1,2	HI-EFF RED	80	120	30	5	20	3.0/6.0	2.0/2.8	100	635
		GREEN	100	120	30	5	20	3.0/6.0	2.1/2.8	100	568

LEDTRONICS, INC.
23105 KASHIWA COURT
TORRANCE, CA 90505

-PROPRIETARY-
This document contains Proprietary Information of LEDTRONICS, INC.
It may not be copied, used or disclosed for any purpose without the prior express written consent of LEDTRONICS, INC.

.00X ± .010 TOLERANCE PER ANSI-Y14.5
.XX ± .025 (UNLESS OTHERWISE STATED)
ANGLES ± 0°.30°
FRACT. ± 1/32

TITLE 21PCT170TWRG4B			
DWG NO SDPC0142	SCALE 2:1	SHEET 1 OF 1	DATE 07-12-96
CODE IDENT NO. BZ410	DWG BY SMA	CHK BY PL	QC 07-12-96
CUSTOMER GENERIC			