

21–24 GHz GaAs MMIC Low Noise Amplifier



AA022N1-00

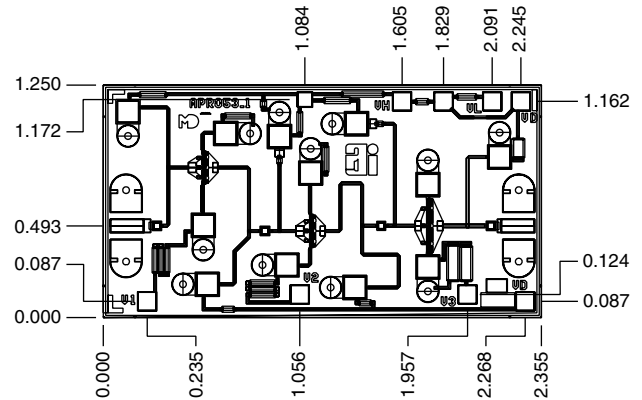
Features

- Single Bias Supply Operation (4.5 V)
- 2.6 dB Typical Noise Figure at 23 GHz
- 19 dB Typical Small Signal Gain
- 0.25 μm Ti/Pd/Au Gates
- 100% On-Wafer RF, DC and Noise Figure Testing
- 100% Visual Inspection to MIL-STD-883 MT 2010

Description

Alpha's three-stage reactively-matched 21–24 GHz MMIC low noise amplifier has typical small signal gain of 19 dB with a typical noise figure of 2.6 dB at 23 GHz. The chip uses Alpha's proven 0.25 μm low noise PHEMT technology, and is based upon MBE layers and electron beam lithography for the highest uniformity and repeatability. The FETs employ surface passivation to ensure a rugged reliable part with through-substrate via holes and gold-based backside metallization to facilitate a conductive epoxy die attach process.

Chip Outline



Dimensions indicated in mm.
All DC (V) pads are 0.1 x 0.1 mm and RF In, Out pads are 0.07 mm wide.
Chip thickness = 0.1 mm.

Absolute Maximum Ratings

Characteristic	Value
Operating Temperature (T_C)	-55°C to +90°C
Storage Temperature (T_{ST})	-65°C to +150°C
Bias Voltage (V_D)	6 V _{DC}
Power In (P_{IN})	10 dBm
Junction Temperature (T_J)	175°C

Electrical Specifications at 25°C ($V_{DS} = 4.5$ V)

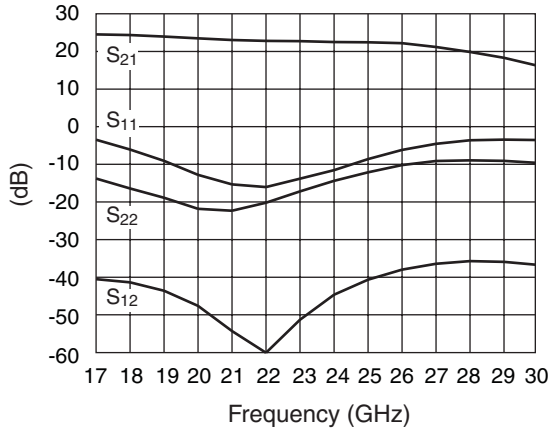
Parameter	Condition	Symbol	Min.	Typ. ³	Max.	Unit
Drain Current		I_{DS}		35	50	mA
Small Signal Gain	F = 21–24 GHz	G	16	19		dB
Noise Figure	F = 23 GHz	NF		2.6	2.8	dB
Input Return Loss	F = 21–24 GHz	RL_I		-7	-6	dB
Output Return Loss	F = 21–24 GHz	RL_O		-14	-10	dB
Output Power at 1 dB Gain Compression ¹	F = 23 GHz	$P_{1\text{ dB}}$		8		dBm
Thermal Resistance ²		θ_{JC}		92		°C/W

1. Not measured on a 100% basis.

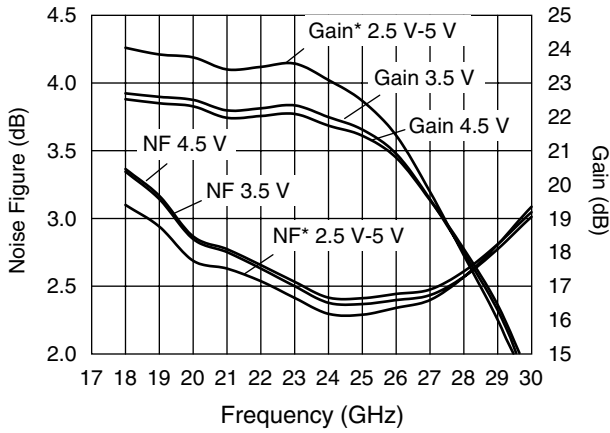
2. Calculated value based on measurement of discrete FET.

3. Typical represents the median parameter value across the specified frequency range for the median chip.

Typical Performance Data

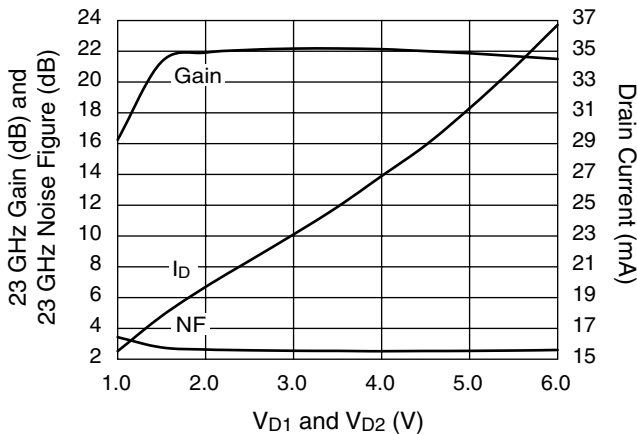


Typical Small Signal Performance S-Parameters ($V_D = 4.5\text{ V}$)



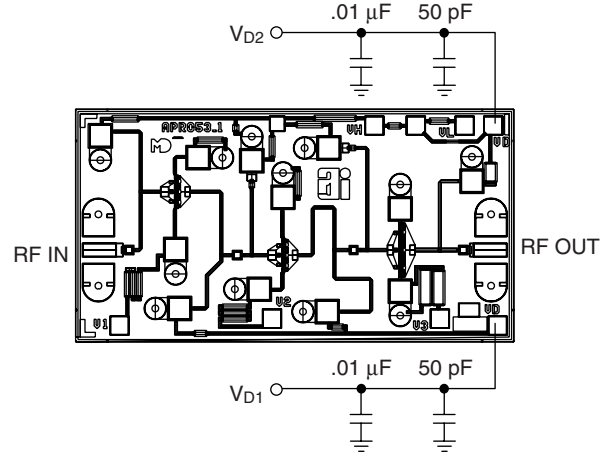
Typical Gain and Noise Figure Performance for Three Bias Conditions

*Special Bias: $V_{D1} = 2.5\text{ V}$, $V_{D2} = 5.0\text{ V}$



Typical Gain and Noise Figure Performance vs. Drain Bias ($V_{D1} = V_{D2}$)

Bias Arrangement



For biasing on, adjust V_{DS} from zero to the desired value (4.5 V recommended). For biasing off, reverse the biasing on procedure.

Circuit Schematic

