



12-Bit, 160 MSPS  
2x/4x/8x Interpolating  
Dual TxDAC+® D/A Converter

Preliminary Technical Data

01-19-01

AD9773

FEATURES

- 12 bit Resolution, 160 MSPS Conversion Rate
- Selectable 2x/4x/8x Interpolating Filter
- Programmable Channel Gain and Offset Adjustment
- Fs/2,4,8 Digital Quadrature Modulation Capability
- Direct IF Transmission Mode for 70MHz+ IFs
- Enables Image Rejection Architecture
- Fully Compatible SPI Port
- Excellent AC Performance
  - SFDR -69dBc @ 2-35MHz
  - WCDMA ACPR -70dB @ IF=16.25 MHz
- Internal PLL Clock Multiplier
- Selectable Internal Clock Divider
- Versatile Clock Input
  - Differential/Single Ended
  - Sine Wave or TTL/CMOS/LVPECL Compatible
- Versatile Input Data Interface
  - 2's Complement/Straight Binary Data Coding
  - Dual Port or Single Port Interleaved Data
- Single +3.3V Supply Operation
- Power Dissipation: <700 mW @ 3.3V
- On-chip 1.2 V Reference, 80-Lead LQFP

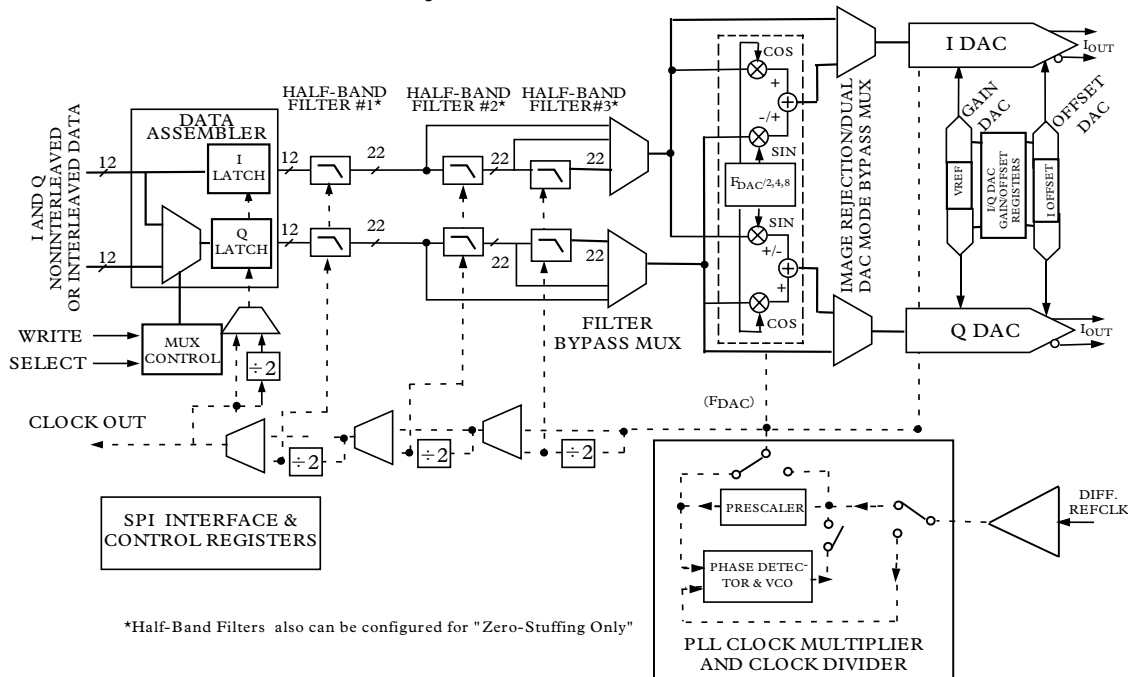
APPLICATIONS

- Communications:
  - Analog Quadrature Modulation Architectures
  - 3G, Multi-Carrier GSM, TDMA, CDMA Systems
  - Multi-Level QAM Modulators, Instrumentation

PRODUCT DESCRIPTION

The AD9773 is the 12 bit member of the AD977x family of pin-compatible, high performance, programmable 2x/4x/8x interpolating TxDAC+s. The AD977x family features a serial port interface (SPI) providing a high level of programmability thus allowing for enhanced system level options. These options include: selectable 2x/4x/8x interpolation filters; Fs/2, Fs/4 or Fs/8 digital quadrature modulation with image rejection; a direct IF mode; programmable channel gain and offset control; programmable internal clock divider; straight binary or two's complement data interface; and a single port or dual port data interface.

PROGRAMMABLE DUAL INTERPOLATION DAC  
WITH IMAGE REJECTION/DIGITAL MODULATION



\*Half-Band Filters also can be configured for "Zero-Stuffing Only"

REV. PrA

BLOCK DIAGRAM

Information furnished by Analog Devices is believed to be accurate and reliable. However, no responsibility is assumed by Analog Devices for its use, nor for any infringements of patents or other rights of third parties which may result from its use. No license is granted by implication or otherwise under any patent or patent rights of Analog Devices.

One Technology Way, P.O. Box 9106, Norwood, MA 02062-9106, U.S.A.  
Tel: 781/329-4700 World Wide Web Site: <http://www.analog.com>  
Fax: 781/326-8703 © Analog Devices, Inc., 2000

## AD9773

**PRODUCT DESCRIPTION (Continued)**

The selectable  $2\times/4\times/8\times$  interpolation filters simplify the requirements of the reconstruction filters while simultaneously enhancing the TxDAC+ family's passband noise/distortion performance. The independent channel gain and offset registers allow the user to calibrate LO feedthrough and sideband suppression errors associated with analog quadrature modulators. The 6 dB of gain adjustment range also can be used to control the output power level of each DAC.

The AD9773 features the ability to perform  $F_s/4$  and  $F_s/8$  digital modulation and image rejection when combined with an analog quadrature modulator. In this mode, the AD9773 would accept I and Q complex data (representing a single or multicarrier waveform), generate a quadrature modulated IF signal along with its orthogonal representation via its dual DACs, and present these two reconstructed orthogonal IF carriers to an analog quadrature modulator to complete the image rejection upconversion process. Another digital modulation mode (i.e. the Direct IF Mode) allows the original baseband signal representation to be frequency translated such that pairs of images fall at multiples of  $1/2$  the DAC update rate.

The AD9773 family includes a flexible clock interface accepting differential or single-ended sinewave or digital logic inputs. An internal PLL clock multiplier is also included to generate the necessary on-chip high frequency clocks. It can also be disabled to allow the use of a higher performance external clock source. An internal programmable divider simplifies clock generation in the converter when using an external clock source. A flexible data input interface allows for straight binary or 2's complement formats as well as supports single port interleaved or dual port data.

Dual high performance TxDAC+s provides a differential current output programmable over a 0-20mA range. The AD9773 is manufactured on an advanced 0.35 micron CMOS process, operates from a single supply of 3.0V to 3.6 V and consumes <700 mW of power.

Targeted at wide dynamic range, Multi-Carrier and Multi-Standard systems, the superb baseband performance of the AD9773 is ideal for Wideband-CDMA, Multi-Carrier CDMA, Multi-Carrier TDMA, Multi-Carrier GSM and high performance systems employing high order QAM modulation schemes. The image rejection feature simplifies and can help to reduce the number of signal band filters needed in an transmit signal chain. The direct IF mode helps to eliminate a costly mixer stage for a variety of communications systems.

**PRODUCT HIGHLIGHTS**

1. The AD9773 is the 12 bit member of the AD977x family of pin-compatible, high performance, programmable  $2\times/4\times/8\times$  interpolating TxDAC+s.
2. Direct IF Transmission capability for 70MHz +IFs through a novel digital mixing process
3.  $F_s/8$  Digital Quadrature Modulation and user selectable image rejection to simplify /remove cascaded SAW filter stages
4.  $2\times/4\times/8\times$  User Selectable Interpolating Filter eases data rate and output signal reconstruction filter requirements.
5. User selectable 2's Complement/Straight Binary Data Coding.
6. User programmable Channel Gain Control over 1 dB range in 0.01dB increments
7. User programmable Channel Offset +/-10% over the FSR
8. Ultra high speed 400 MSPS DAC conversion rate.
9. Internal Clock Divider provides data rate clock for easy interfacing.
10. Flexible Clock Input with Single Ended or Differential Input, CMOS or 1V p-p LO Sinewave input capability.
11. Low Power: Complete CMOS DAC operates on <700 mW from a 3.0V to 3.6V single supply. The 20ma full-scale current can be reduced for lower power operation, and a several sleep functions are provided to reduce power during idle periods.
12. On-chip Voltage Reference: The AD9773 includes a 1.20 V temperature-compensated bandgap voltage reference.
13. Small 80 lead LQFP

## AD9773—SPECIFICATIONS

DC SPECIFICATIONS ( $T_{MIN}$  to  $T_{MAX}$ , AVDD = +3.3 V, CLKVDD = +3.3 V, DVDD = +3.3 V, PLLVDD = +3.3V,  $I_{OUTFS}$  = 20 mA, unless otherwise noted)

PARAMETER	MIN	TYP	MAX	UNITS
RESOLUTION	12			bits
DC Accuracy <sup>1</sup>				
Integral Non-Linearity				LSB
Differential Non_Linearity				LSB
Monotonicity				
ANALOG OUTPUT				
Offset Error				% of FSR
Gain Error (Without Internal Reference)				% of FSR
Gain Error (With Internal Reference)				% of FSR
Full-Scale Output Current <sup>2</sup>		20		mA
Output Compliance Range	-1.0		+1.25	V
Output Resistance		200		k $\Omega$
Output Capacitance		3		pF
REFERENCE OUTPUT				
Reference Voltage	1.14	1.20	1.26	V
Reference Output Current <sup>3</sup>		1		$\mu$ A
REFERENCE INPUT				
Input Compliance Range	0.1		1.25	V
Reference Input Resistance (REFLO = 3 V)			10	M $\Omega$
Small Signal Bandwidth		0.5		MHz
TEMPERATURE COEFFICIENTS				
Unipolar Offset Drift				ppm of FSR/ $^{\circ}$ C
Gain Drift (Without Internal Reference)				ppm of FSR/ $^{\circ}$ C
Gain Drift (With Internal Reference)				ppm of FSR/ $^{\circ}$ C
Reference Voltage Drift				ppm/ $^{\circ}$ C
POWER SUPPLY				
AVDD				
Voltage Range	3.0	3.3	3.6	V
Analog Supply Current ( $I_{AVDD}$ )				mA
$I_{AVDD}$ in SLEEP Mode				mA
CLKVDD				
Voltage Range	3.0	3.3	3.6	V
Clock Supply Current ( $I_{CLKVDD}$ )				mA
PLLVDD				
Voltage Range	3.0	3.3	3.6	V
PLL Multiplier Supply Current ( $I_{PLLVDD}$ )				mA
DVDD				
Voltage Range	3.0	3.3	3.6	V
Digital Supply Current ( $I_{DVDD}$ )				mA
Nominal Power Dissipation		<700		mW
Power Supply Rejection Ratio – AVDD				% of FSR/V
Power Supply Rejection Ratio – DVDD				% of FSR/V
OPERATING RANGE	-40		+85	$^{\circ}$ C

## NOTES

<sup>1</sup>Measured at  $I_{OUTA}$  driving a virtual ground.

<sup>2</sup>Nominal full-scale current,  $I_{OUTFS}$ , is  $32 \times$  the  $I_{REF}$  current.

<sup>3</sup>Use an external amplifier to drive any external load.

Specifications subject to change without notice.

## AD9773—SPECIFICATIONS

DYNAMIC SPECIFICATIONS (T<sub>MIN</sub> to T<sub>MAX</sub>, AVDD = +3.3 V, CLKVDD = +3.3 V, DVDD = +3.3 V, PLLVDD = 0 V, I<sub>OUTFS</sub> = 20 mA, Differential Transformer Coupled Output, 50Ω Doubly Terminated, unless otherwise noted)

Parameter	Min	Typ	Max	Units
<b>DYNAMIC PERFORMANCE</b>				
Maximum DAC Output Update Rate (f <sub>DAC</sub> )	400			MSPS
Output Settling Time (t <sub>ST</sub> ) (to 0.025%)				ns
Output Propagation Delay <sup>1</sup> (t <sub>PD</sub> )				ns
Output Rise Time (10% to 90%) <sup>2</sup>				ns
Output Fall Time (10% to 90%) <sup>2</sup>				ns
Output Noise (I <sub>OUTFS</sub> = 20 mA)				pA√Hz
<b>ACLINERITY—BASEBAND MODE</b>				
Spurious-Free Dynamic Range (SFDR) to Nyquist (f <sub>OUT</sub> = 0 dBFS)				
f <sub>DATA</sub> = MSPS; f <sub>OUT</sub> = MHz				dBc
f <sub>DATA</sub> = MSPS; f <sub>OUT</sub> = MHz				dBc
f <sub>DATA</sub> = MSPS; f <sub>OUT</sub> = MHz				dBc
f <sub>DATA</sub> = MSPS; f <sub>OUT</sub> = MHz				dBc
f <sub>DATA</sub> = MSPS; f <sub>OUT</sub> = MHz				dBc
f <sub>DATA</sub> = MSPS; f <sub>OUT</sub> = MHz				dBc
Two-Tone Intermodulation (IMD) to Nyquist (f <sub>OUT1</sub> = f <sub>OUT2</sub> = -6 dBFS)				
f <sub>DATA</sub> = MSPS; f <sub>OUT1</sub> = MHz; f <sub>OUT2</sub> = MHz				dBc
f <sub>DATA</sub> = MSPS; f <sub>OUT1</sub> = MHz; f <sub>OUT2</sub> = MHz				dBc
f <sub>DATA</sub> = MSPS; f <sub>OUT1</sub> = MHz; f <sub>OUT2</sub> = MHz				dBc
f <sub>DATA</sub> = MSPS; f <sub>OUT1</sub> = MHz; f <sub>OUT2</sub> = MHz				dBc
f <sub>DATA</sub> = MSPS; f <sub>OUT1</sub> = MHz; f <sub>OUT2</sub> = MHz				dBc
f <sub>DATA</sub> = MSPS; f <sub>OUT1</sub> = MHz; f <sub>OUT2</sub> = MHz				dBc
Total Harmonic Distortion (THD)				
f <sub>DATA</sub> = MSPS; f <sub>OUT</sub> = MHz; 0 dBFS				dB
f <sub>DATA</sub> = MSPS; f <sub>OUT</sub> = MHz; 0 dBFS				dB
Signal-to-Noise Ratio (SNR)				
f <sub>DATA</sub> = MSPS; f <sub>OUT</sub> = MHz; 0 dBFS				dB
f <sub>DATA</sub> = MSPS; f <sub>OUT</sub> = MHz; 0 dBFS				dB
Adjacent Channel Power Ratio (ACPR)				
WCDMA with MHz BW, MHz Channel Spacing				
IF = 16 MHz, f <sub>DATA</sub> = 65.536 MSPS				dBc
IF = 32 MHz, f <sub>DATA</sub> = 131.072 MSPS				dBc
Four-Tone Intermodulation				
MHz, MHz, MHz and MHz at -12 dBFS				dBFS
(f <sub>DATA</sub> = MSPS, Missing Center)				
<b>ACLINERITY—IF MODE</b>				
Four-Tone Intermodulation at IF = MHz				
MHz, MHz, MHz and MHz at dBFS				dBFS
f <sub>DATA</sub> = MSPS, f <sub>DAC</sub> = MHz				

## NOTES

<sup>1</sup>Propagation delay is delay from CLK input to DAC update.<sup>2</sup>Measured single-ended into 50 Ω load.

Specifications subject to change without notice.

## AD9773—SPECIFICATIONS

## DIGITAL SPECIFICATIONS

(T<sub>MIN</sub> to T<sub>MAX</sub>, AVDD = +3.3 V, CLKVDD = +3.3 V, PLLVDD = +0 V, DVDD = +3.3 V, I<sub>OUTFS</sub> = 20 mA, unless otherwise noted)

Parameter	Min	Typ	Max	Units
<b>DIGITAL INPUTS</b>				
Logic "1" Voltage	2.1	3		V
Logic "0" Voltage		0	0.9	V
Logic "1" Current <sup>1</sup>	-10		+10	μA
Logic "0" Current	-10		+10	μA
Input Capacitance		5		pF
<b>CLOCK INPUTS</b>				
Input Voltage Range	0		3	V
Common-Mode Voltage	0.75	1.5	2.25	V
Differential Voltage	0.5	1.5		V
<b>PLL CLOCK ENABLED</b>				
Input Setup Time (t <sub>S</sub> )	0.2			ns
Input Hold Time (t <sub>H</sub> )	1.8			ns
Latch Pulsewidth (t <sub>LPW</sub> )	1.5			ns
<b>PLL CLOCK DISABLED</b>				
Input Setup Time (t <sub>S</sub> )	-1.2			ns
Input Hold Time (t <sub>H</sub> )	3.2			ns
Latch Pulsewidth (t <sub>LPW</sub> )	1.5			ns
CLK/PLL LOCK Delay (t <sub>OD</sub> )		TBD		ns

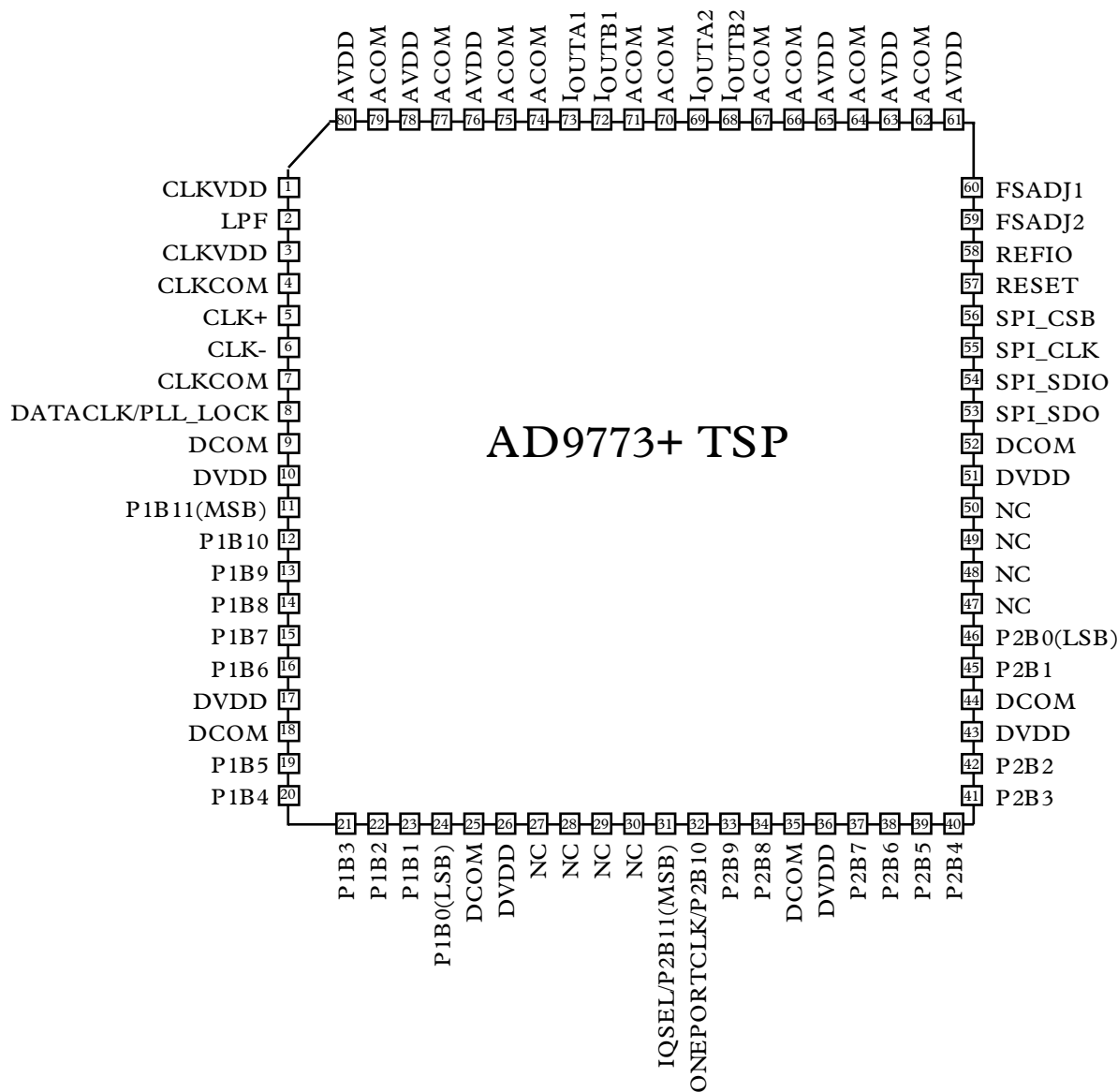
Specifications subject to change without notice.

## ORDERING GUIDE

Model	Temperature Range	Package Description	Package Option*
AD9773AST	-40°C to +85°C	80-Lead LQFP	ST-80
AD9773EB		Evaluation Board	

\*ST = Thin Plastic Quad Flatpack.

# AD9773—SPECIFICATIONS



## AD9773—SPECIFICATIONS

## PIN FUNCTION DESCRIPTIONS

Pin No.	Name	Description
73,72	$I_{OUTA1}$ , $I_{OUTB1}$	Differential DAC current outputs, I Channel
69,68	$I_{OUTA2}$ , $I_{OUTB2}$	Differential DAC current outputs, Q Channel
58	REFIO	Reference output, 1.2V nominal
60	FSADJ1	Full-scale current adjust, I channel
59	FSADJ2	Full-scale current adjust, Q channel
5	CLK+	Differential Clock input
6	CLK-	Differential Clock input
8	DATACLK/PLL_LOCK	With the PLL enabled, this pin indicates the state of the PLL. A read of a logic 1 indicates the PLL is in the locked state. Logic 0 indicates the PLL has not achieved lock. With the PLL disabled, and the AD9773 in two port mode, this pin becomes a clock signal, running at the input data rate, which may either be input to the AD9773, or generated by the AD9773, depending on the state of address 2h, bit 3 in the SPI control register.
2	LPF	PLL Loop Filter
57	RESET	Logic one resets all of the SPI port registers, including address 0h, to their default values. A software reset can also be done by writing a logic one to SPI register 0h, bit 5. However, the software reset has no effect on the bits in address 0h.
11-16,19-24	P1B11 to P1B0	Port 1 data inputs
31	IQSEL/P2B15	In one port mode, IQSEL = 1 followed by a rising edge of the differential input clock will latch the data into the I channel input register. IQSEL = 0 will latch the data into the Q channel input register. In two port mode, this pin becomes the port 2 MSB.
32	ONEPORTCLK/P2B14	With the PLL disabled, and the AD9773 in one port mode, this pin becomes a clock output which runs at twice the input data rate of the I and Q channels. This allows the AD9773 to accept and demux interleaved I and Q data to the I and Q input registers.
33,34,37-42,45,46	P2B11 to P2B0	Port 2 data inputs.
56	SPI_CS	Chip select/SPI data synchronization. On momentary logic high, resets SPI port logic and initializes instruction cycle.
55	SPI_CLK	Data input to the SPI port is registered on the rising edge of SPI_CLK. Data output on the SPI port is registered on the falling edge.
54	SPI_SDIO	Bidirectional data pin. Data direction is controlled by bit 7 of register address 0h. The default setting for this bit is 0, which sets SDIO as an input.
53	SPI_SDO	In the case where SDIO is an input, SDO acts as an output. When SDIO becomes an output, SDO enters a high Z state.
79,77,75,74,71,70, 67,66,64,62	ACOM	Analog Common
80,78,76,65,63,61	AVDD	Analog Supply Voltage
51,43,36,26,17,10	DVDD	Digital Supply Voltage
52,44,35,25,18,9	DCOM	Digital Common
1,3	CLKVDD	Clock Supply Voltage
4,7	CLKCOM	Clock Supply Common

# AD9773—SPECIFICATIONS

## DIGITAL FILTER SPECIFICATIONS

### Halfband Filter #1 (43 coefficients)

tap	coefficient
1,43	8
2,42	0
3,41	-29
4,40	0
5,39	67
6,38	0
7,37	-134
8,36	0
9,35	244
10,34	0
11,33	-414
12,32	0
13,31	673
14,30	0
15,29	-1079
16,28	0
17,27	1772
18,26	0
19,25	-3280
20,24	0
21,23	10364
22	16384

### Halfband Filter #2 (19 coefficients)

tap	coefficient
1,19	19
2,18	0
3,17	-120
4,16	0
5,15	438
6,14	0
7,13	-1288
8,12	0
9,11	5047
10	8192

### Halfband Filter #3 (11 coefficients)

tap	coefficient
1,11	7
2,10	0
3,9	-53
4,8	0
5,7	302
6	512

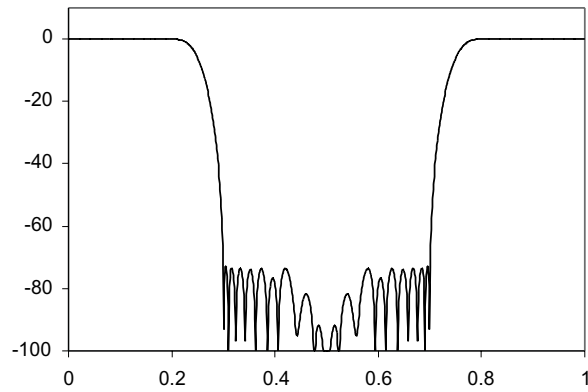


Figure 1a. 2x Interpolating Filter Response

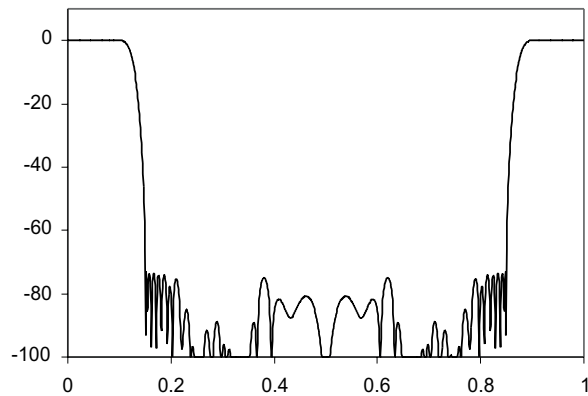


Figure 1b. 4x Interpolating Filter Response

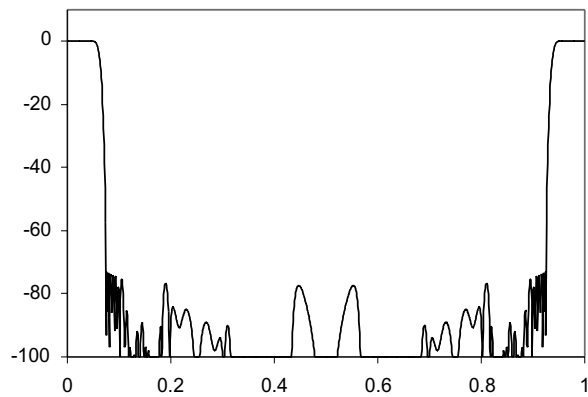


Figure 1c. 8x Interpolating Filter Response



**DEFINITIONS OF SPECIFICATIONS****Linearity Error (Also Called Integral Nonlinearity or INL)**

Linearity error is defined as the maximum deviation of the actual analog output from the ideal output, determined by a straight line drawn from zero to full scale.

**Differential Nonlinearity (or DNL)**

DNL is the measure of the variation in analog value, normalized to full scale, associated with a 1 LSB change in digital input code.

**Monotonicity**

A D/A converter is monotonic if the output either increases or remains constant as the digital input increases.

**Offset Error**

The deviation of the output current from the ideal of zero is called offset error. For  $I_{OUTA}$ , 0 mA output is expected when the inputs are all 0s. For  $I_{OUTB}$ , 0 mA output is expected when all inputs are set to 1s.

**Gain Error**

The difference between the actual and ideal output span. The actual span is determined by the output when all inputs are set to 1s, minus the output when all inputs are set to 0s.

**Output Compliance Range**

The range of allowable voltage at the output of a current-output DAC. Operation beyond the maximum compliance limits may cause either output stage saturation or breakdown, resulting in nonlinear performance.

**Temperature Drift**

Temperature drift is specified as the maximum change from the ambient (+25°C) value to the value at either  $T_{MIN}$  or  $T_{MAX}$ . For offset and gain drift, the drift is reported in ppm of full-scale range (FSR) per degree C. For reference drift, the drift is reported in ppm per degree C.

**Power Supply Rejection**

The maximum change in the full-scale output as the supplies are varied from minimum to maximum specified voltages.

**Settling Time**

The time required for the output to reach and remain within a specified error band about its final value, measured from the start of the output transition.

**Glitch Impulse**

Asymmetrical switching times in a DAC give rise to undesired output transients that are quantified by a glitch impulse. It is specified as the net area of the glitch in pV-s.

**Spurious-Free Dynamic Range**

The difference, in dB, between the rms amplitude of the output signal and the peak spurious signal over the specified bandwidth.

**Total Harmonic Distortion**

THD is the ratio of the rms sum of the first six harmonic components to the rms value of the measured

fundamental. It is expressed as a percentage or in decibels (dB).

**Signal-to-Noise Ratio (SNR)**

S/N is the ratio of the rms value of the measured output signal to the rms sum of all other spectral components below the Nyquist frequency, excluding the first six harmonics and dc. The value for SNR is expressed in decibels.

**Interpolation Filter**

If the digital inputs to the DAC are sampled at a multiple rate of  $f_{DATA}$  (interpolation rate), a digital filter can be constructed which has a sharp transition band near  $f_{DATA}/2$ . Images which would typically appear around  $f_{DAC}$  (output data rate) can be greatly suppressed.

**Passband**

Frequency band in which any input applied therein passes unattenuated to the DAC output.

**Stopband Rejection**

The amount of attenuation of a frequency outside the passband applied to the DAC, relative to a full-scale signal applied at the DAC input within the passband.

**Group Delay**

Number of input clocks between an impulse applied at the device input and peak DAC output current. A half-band FIR filter has constant group delay over its entire frequency range.

**Impulse Response**

Response of the device to an impulse applied to the input.

**Adjacent Channel Power Ratio (or ACPR)**

A ratio in dBc between the measured power within a channel relative to its adjacent channel.

**Complex Modulation**

The process of passing the real and imaginary components of a signal through a complex modulator (transfer function =  $e^{j\omega t} = \cos\omega t + j\sin\omega t$ ) and realizing real and imaginary components on the modulator output.

**Complex Image Rejection**

In a traditional two part upconversion, two images are created around the second IF frequency. These images are redundant and have the effect of wasting transmitter power and system bandwidth. By placing the real part of a second complex modulator in series with the first complex modulator, either the upper or lower frequency image near the second IF can be rejected.

# AD9773

## Mode Control (via SPI Port)

Address	Bit 7	Bit 6	Bit 5	Bit 4	Bit 3	Bit 2	Bit 1	Bit 0
00	SDIO Bidirectional <b>0 = Input</b> , 1 = I/O	LSB, MSB first <b>0 = MSB</b> , 1 = LSB	Software reset on logic 1	Sleep Mode. Logic 1 shuts down the DAC output currents.	Powerdown Mode. Logic 1 shuts down all digital and analog functions.	1R/2R Mode. DAC output current set by one or two external resistors. <b>0 = 2R</b> , 1 = 1R	PLL_LOCK indicator	
01	Filter Interpolation Rate (1x, 2x, 4x, 8x)	Filter Interpolation Rate (1x, 2x, 4x, 8x)	Modulation Mode (none, fs/2, fs/4, fs/8)	Modulation Mode (none, fs/2, fs/4, fs/8)	<b>0 = No Zero Stuffing on Interpolation Filters</b> Logic 1 enables zero stuffing	<b>1 = Real Mix Mode</b> , 0 = Complex Mix Mode	<b>0 = <math>e^{-j\omega}</math></b> 1 = $e^{+j\omega}$	
02	<b>0 = signed input data</b> , 1 = unsigned	<b>0 = two port mode</b> , 1 = one port mode	DATACLK driver strength		<b>0 = Internally Generated Data Clock</b> , 1 = Externally Applied			
03							PLL divide (prescaler) ratio	PLL divide (prescaler) ratio
04	<b>0 = PLL off</b> , 1 = PLL on	<b>0 = automatic charge pump control</b> , 1 = programmable				PLL charge pump control	PLL charge pump control	PLL charge pump control
05	IDAC fine gain adjustment	IDAC fine gain adjustment	IDAC fine gain adjustment	IDAC fine gain adjustment	IDAC fine gain adjustment	IDAC fine gain adjustment	IDAC fine gain adjustment	IDAC fine gain adjustment
06					IDAC coarse gain adjustment	IDAC coarse gain adjustment	IDAC coarse gain adjustment	IDAC coarse gain adjustment
07	IDAC offset adjustment bit 9	IDAC offset adjustment bit 8	IDAC offset adjustment bit 7	IDAC offset adjustment bit 6	IDAC offset adjustment bit 5	IDAC offset adjustment bit 4	IDAC offset adjustment bit 3	IDAC offset adjustment bit 2
08	IDAC $I_{\text{OFFSET}}$ direction. <b>0 = <math>I_{\text{OFFSET}}</math> on IOUIN</b> , 1 = $I_{\text{OFFSET}}$ on IOUOP						IDAC offset adjustment bit 1	IDAC offset adjustment bit 0
09	QDAC fine gain adjustment	QDAC fine gain adjustment	QDAC fine gain adjustment	QDAC fine gain adjustment	QDAC fine gain adjustment	QDAC fine gain adjustment	QDAC fine gain adjustment	QDAC fine gain adjustment
0A					QDAC coarse gain adjustment	QDAC coarse gain adjustment	QDAC coarse gain adjustment	QDAC coarse gain adjustment
0B	QDAC offset adjustment bit 9	QDAC offset adjustment bit 8	QDAC offset adjustment bit 7	QDAC offset adjustment bit 6	QDAC offset adjustment bit 5	QDAC offset adjustment bit 4	QDAC offset adjustment bit 3	QDAC offset adjustment bit 2
0C	QDAC $I_{\text{OFFSET}}$ direction. <b>0 = <math>I_{\text{OFFSET}}</math> on IOUIN</b> , 1 = $I_{\text{OFFSET}}$ on IOUOP						QDAC offset adjustment bit 1	QDAC offset adjustment bit 0
0D					version register	version register	version register	version register

Table 1. Mode Control via SPI Port for AD9773 (default values are highlighted)

## Register Description

<b>Address 00h</b>	Bit 7	Logic 0 (default), causes the SDIO pin to act as an input during the data transfer (phase 2) of the communications cycle. When set to a 1, SDIO can act as an input or output, depending on bit 7 of the instruction byte.								
	Bit 6	Logic 0 (default). Determines the direction (LSB/MSB first) of the communications and data transfer communications cycles. Refer to the section <b>MSB/LSB Transfers</b> on page 9 for a detailed description.								
	Bit 5	Writing a one to this bit resets the registers to their default values and restarts the chip. The RESET bit always reads back 0. Register address 0h bits are not cleared by this software reset. However, a high level at the RESET pin forces all registers, including those in address 0h, to their default state.								
	Bit 4	A logic 1 to this bit shuts down the DAC output currents.								
	Bit 3	Powerdown. Logic 1 shuts down all analog and digital functions.								
	Bit 2	1R/2R Mode. The default (0) places the AD9773 in 2 resistor mode. In this mode, the $I_{REF}$ currents for the I and the Q DAC references are set separately by FSADJ1 and FSADJ2 on pins 60 and 59. In this case, $I_{REF1} = 32 \cdot V_{REF} / FSADJ1$ and $I_{REF2} = 32 \cdot V_{REF} / FSADJ2$ . With this bit set to 1, the reference currents for both I and Q DACs are controlled by a single resistor on pin 60. $I_{REF}$ in one resistor mode for both the I and Q DACs = $16 \cdot V_{REF} / FSADJ1$								
	Bit 1	PLL_LOCK indicator. When the PLL is enabled, reading this bit will give the status of the PLL. A logic 1 indicates the PLL is locked. A logic 0 indicates an unlocked state.								
<b>Address 01h</b>	Bit 7,6	Filter interpolation rate according to the following table: <table border="0" style="margin-left: 20px;"> <tr><td>00</td><td>1×</td></tr> <tr><td>01</td><td>2×</td></tr> <tr><td>10</td><td>4×</td></tr> <tr><td>11</td><td>8×</td></tr> </table>	00	1×	01	2×	10	4×	11	8×
	00	1×								
01	2×									
10	4×									
11	8×									
Bit 5,4	Modulation mode according to the following table: <table border="0" style="margin-left: 20px;"> <tr><td>00</td><td>none</td></tr> <tr><td>01</td><td>fs/2</td></tr> <tr><td>10</td><td>fs/4</td></tr> <tr><td>11</td><td>fs/8</td></tr> </table>	00	none	01	fs/2	10	fs/4	11	fs/8	
00	none									
01	fs/2									
10	fs/4									
11	fs/8									
<b>Address 01h</b>	Bit 3	Logic 1 enables zero stuffing mode for interpolation filters								
	Bit 2	Default(1) enables the real mix mode. The I and Q data channels are individually modulated by Fs/2, Fs/4 or Fs/8 after the interpolation filters. However, no complex modulation is done. In the complex mix mode (logic 0), the digital modulators on the I and Q data channels are coupled to create a digital complex modulator. When the AD9773 is applied in conjunction with an external quadrature modulator, rejection can be achieved of either the higher or lower frequency image around the 2nd IF frequency (i.e., the 2nd IF frequency is the LO of the analog quadrature modulator external to the AD9773) according to the bit value of register 01h, bit 1.								
	Bit 1	Logic 0 (default) causes the complex modulation to be of the form $e^{-j\omega t}$ , resulting in the rejection of the higher frequency image when the AD9773 is used with an external quadrature modulator. A logic 1 causes the modulation to be of the form $e^{+j\omega t}$ , which causes rejection of the lower frequency image								
<b>Address 02h</b>	Bit 7	Logic 0 (default) causes data to be accepted on the inputs as 2's complement binary. Logic 1 causes data to be accepted as straight binary.								
	Bit 6	Logic 0 (default) places the AD9773 in two port mode. I and Q data enters the AD9773 via ports one and two, respectively. A logic 1 places the AD9773 in one port mode in which interleaved I and Q data is applied to port one. See pin function descriptions for DATACLK/PLL_LOCK, IQSEL and ONEPORTCLK for detailed information on how to use these modes.								
	Bit 5	DATACLK driver strength. With the internal PLL disabled, and this bit set to logic 0, it is recommended that DATACLK be buffered. When this bit is set to logic 1, DATACLK acts as a stronger driver capable of driving small capacitive loads.								
	Bit 3	External dataclock. With the PLL disabled, pin 8 (DATACLK/PLL_LOCK) becomes a data clock which must run at the same rate as the input data. If this bit is set to a 0 (default), pin 8 is an output and the AD9773 creates this clock. If this bit is a logic 1, pin 8 is an input and an external data clock must be applied and synchronized with the higher rate clock driving CLK+ and CLK-.								

# AD9773

- Address 03h** Bit 1,0 Setting this divide ratio to a higher number allows the VCO in the PLL to run at a high rate (for best performance) while the DAC input and output clocks run substantially slower. The divider ratio is set according to the following table:
- |    |    |
|----|----|
| 00 | ÷1 |
| 01 | ÷2 |
| 10 | ÷4 |
| 11 | ÷8 |
- Address 04h** Bit 7 Logic 0 (default) disables the internal PLL. Logic 1 enables the PLL.  
 Bit 6 Logic 0 (default) sets the charge pump control to automatic. In this mode, the charge pump bias current is controlled by the divider ratio defined in address 3h, bits 1 and 0. Logic 1 allows the user to manually define the charge pump bias current using address 4h, bits 2, 1 and 0. Adjusting the charge pump bias current allows the user to optimize the noise/settling performance of the PLL.  
 Bit 2,1,0 With the charge pump control set to manual, these bits define the charge pump bias current according to the following table:
- |     |         |
|-----|---------|
| 000 | 50µamps |
| 001 | 100     |
| 010 | 200     |
| 011 | 400     |
| 100 | 800     |
- Address 05h,09h** Bits 7-0 These bits represent an 8 bit binary number (bit 7, MSB) which defines the fine gain adjustment of the I (5h) and Q (9h) DAC according to the equation given below.  
**Address 06h,0Ah** Bits 3-0 These bits represent a 4 bit binary number (bit 3, MSB) which defines the coarse gain adjustment of the I (6h) and Q (Ah) DACs according to the equation below.  
**Address 07h,0Bh** Bits 7-0  
**Address 08h,0Ch** Bit 1,0 The ten bits from these two address pairs (7h,8h and Bh,Ch) represent a 10 bit binary number which defines the offset adjustment of the I and Q DACs according to the equation below (7h,Bh - bit 7 MSB / 8h,Ch - bit 0 LSB)  
**Address 08h,0Ch** Bit 7 This bit determines the direction of the offset of the I (8h) and Q (Ch) DACs. A logic 0 will apply a positive offset current to  $I_{OUTA}$ , while a logic 1 will apply a positive offset current to  $I_{OUTB}$ . The magnitude of the offset current is defined by the bits in addresses 7h,Bh,8h,Ch according the the formulas given below.

$$I_{OUTA} = \left[ \left( \frac{6 \times I_{REF}}{8} \right) \left( \frac{coarse+1}{16} \right) - \left( \frac{3 \times I_{REF}}{32} \right) \left( \frac{fine}{256} \right) \right] \times \left[ \left( \frac{1024}{24} \right) \left( \frac{data}{2^{16}} \right) \right]$$

$$I_{OUTB} = \left[ \left( \frac{6 \times I_{REF}}{8} \right) \left( \frac{coarse+1}{16} \right) - \left( \frac{3 \times I_{REF}}{32} \right) \left( \frac{fine}{256} \right) \right] \times \left[ \left( \frac{1024}{24} \right) \left( \frac{2^{16} - data - 1}{2^{16}} \right) \right]$$

$$I_{OFFSET} = 2 \times I_{REF} \left( \frac{OFFSET}{1024} \right) \quad (1R \text{ Mode})$$

$$I_{OFFSET} = 4 \times I_{REF} \left( \frac{OFFSET}{1024} \right) \quad (2R \text{ Mode})$$

Figure 2.  $I_{OUTA}$  and  $I_{OUTB}$  as a function of fine gain, coarse gain and offset adjustment.

\*Note that  $I_{REF}$  is different for the one resistor and two resistor (1R,2R) modes. See the description for 1R/2R mode control on page 11 (address 0h, bit 2) for the value  $I_{REF}$  of in either mode.

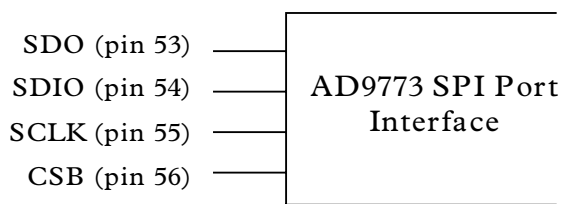


Figure 3. AD9773 SPI Port Interface

### Serial Interface For Register Control

The AD9773 serial port is a flexible, synchronous serial communications port allowing easy interface to many industry standard microcontrollers and microprocessors. The serial I/O is compatible with most synchronous transfer formats, including both the Motorola SPI and Intel SSR protocols. The interface allows read/write access to all registers that configure the AD9773. Single or multiple byte transfers are supported as well as MSB first or LSB first transfer formats. The AD9773's serial interface port can be configured as a single pin I/O (SDIO) or two unidirectional pins for in/out (SDIO/SDO).

### General Operation of the Serial Interface

There are two phases to a communication cycle with the AD9773. Phase 1 is the instruction cycle, which is the writing of an instruction byte into the AD9773, coincident with the first eight SCLK rising edges. The instruction byte provides the AD9773 serial port controller with information regarding the data transfer cycle, which is Phase 2 of the communication cycle. The Phase 1 instruction byte defines whether the upcoming data transfer is read or write, the number of bytes in the data transfer and the starting register address for the first byte of the data transfer. The first eight SCLK rising edges of each communication cycle are used to write the instruction byte into the AD9773.

A logic high on the CS pin, followed by a logic low, will reset the SPI port timing to the initial state of the instruction cycle. This is true regardless of the present state of the internal registers or the other signal levels present at the inputs to the SPI port. If the SPI port is in the midst of an instruction cycle or a data transfer cycle, none of the present data will be written.

The remaining SCLK edges are for Phase 2 of the communication cycle. Phase 2 is the actual data transfer between the AD9773 and the system controller. Phase 2 of the communication cycle is a transfer of 1, 2, 3, or 4 data bytes as determined by the instruction byte. Normally, using one multibyte transfer is the preferred method. However, single byte data transfers are useful to reduce CPU overhead when register access requires one byte only. Registers change *immediately* upon writing to the last bit of each transfer byte.

### Instruction Byte

The instruction byte contains the following information as shown below:

N1	N0	Description
0	0	Transfer 1 Byte
0	1	Transfer 2 Bytes
1	0	Transfer 3 Bytes
1	1	Transfer 4 Bytes

**R/W**- bit 7 of the instruction byte determines whether a read or a write data transfer will occur after the instruction byte write. Logic high indicates read operation. Logic zero indicates a write operation. N1, N0—Bits 6 and 5 of the instruction byte determine the number of bytes to be transferred during the data transfer cycle. The bit decodes are shown in the following table:

MSB				LSB			
17	16	15	14	13	12	11	10
R/W	N1	N0	A4	A3	A2	A1	A0

**A4, A3, A2, A1, A0**—Bits 4, 3, 2, 1, 0 of the instruction byte determine which register is accessed during the data transfer portion of the communications cycle. For multibyte transfers, this address is the starting byte address. The remaining register addresses are generated by the AD9773.

### Serial Interface Port Pin Description

**SCLK (pin55) - Serial Clock.** The serial clock pin is used to synchronize data to and from the AD9773 and to run the internal state machines. SCLK maximum frequency is 15 MHz. All data input to the AD9773 is registered on the rising edge of SCLK. All data is driven out of the AD9773 on the falling edge of SCLK.

**CSB (pin 56) - Chip Select.** Active low input starts and gates a communication cycle. It allows more than one device to be used on the same serial communications lines. The SDO and SDIO pins will go to a high impedance state when this input is high. Chip select should stay low during the entire communication cycle.

**SDIO (pin 54) - Serial Data I/O.** Data is always written into the AD9773 on this pin. However, this pin can be used as a bidirectional data line. The configuration of this pin is controlled by Bit 7 of register address 00h. The default is logic zero, which configures the SDIO pin as unidirectional.

**SDO(pin 53) - Serial Data Out.** Data is read from this pin for protocols that use separate lines for transmitting and receiving data. In the case where the AD9773 operates in a single bidirectional I/O mode, this pin does not output data and is set to a high impedance state.

### MSB/LSB Transfers

The AD9773 serial port can support both most significant bit (MSB) first or least significant bit (LSB) first data formats. This functionality is controlled by register address 00h bit 6. The default is MSB first. When this bit is set active high, the AD9773 serial port is in LSB first

# AD9773

format. That is, if the AD9773 is in LSB first mode, the instruction byte must be written from least significant bit to most significant bit. Multibyte data transfers in MSB format can be completed by writing an instruction byte that includes the register address of the most significant byte. In MSB first mode, the serial port internal byte address generator decrements for each byte required of the multibyte communication cycle. Multibyte data transfers in LSB first format can be completed by writing an instruction byte that includes the register address of the least significant byte. In LSB first mode, the serial port internal byte address generator increments for each byte required of the multibyte communication cycle.

The AD9773 serial port controller address will increment from 1Fh to 00h for multibyte I/O operations if the MSB first mode is active. The serial port controller address will decrement from 00h to 1Fh for multibyte I/O operations if the LSB first mode is active.

### Notes on Serial Port Operation

The AD9773 serial port configuration bits reside in bits 6 and 7 of register address 00h. It is important to note that the configuration changes *immediately* upon writing to the last bit of the register. For multibyte transfers, writing to this register may occur during the middle of communication cycle. Care must be taken to compensate for this new configuration for the remaining bytes of the current communication cycle.

The same considerations apply to setting the reset bit in register address 00h. All other registers are set to their default values but the software reset doesn't affect the bits in register address 00h.

It is recommended to use only single byte transfers when changing serial port configurations or initiating a software reset.

A write to bits 1, 2 and 3 of address 00h with the same logic levels as for bits 7, 6 and 5 (bit pattern: XY1001YX binary) allows to reprogram a lost serial port configuration and to reset the registers to their default values. A second write to address 00h with Reset bit low and serial port configuration as specified above (XY) reprograms the OSC IN Multiplier setting. A changed  $f_{SYSCLK}$  frequency is stable after a maximum of  $200 f_{MCLK}$  cycles (=Wake-Up Time).

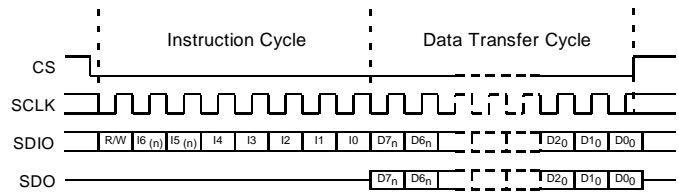


Figure 4a. Serial Register Interface Timing MSB-First

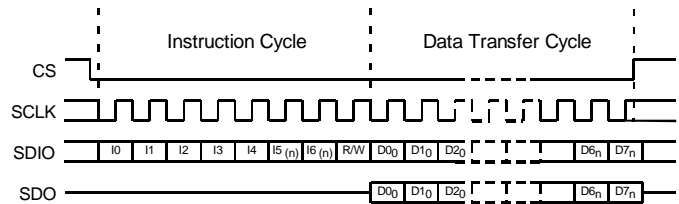


Figure 4b. Serial Register Interface Timing LSB-First

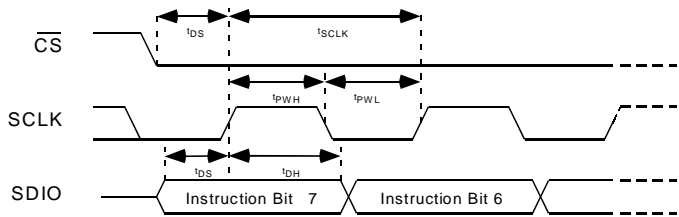


Figure 5. Timing Diagram for Register Write to AD9773

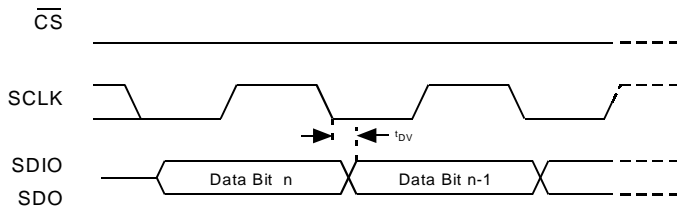


Figure 6. Timing Diagram for Register Read from AD9773

## PROGRAMMABLE MODES

The AD9773 has a very flexible structure, programmable via the SPI compliant port with registers defined in table 1. Digital filtering and complex modulation can be programmed, as well as fine and coarse adjustments for the I and Q DAC channels.

### PLL ENABLED

With the Phase Locked Loop (PLL) enabled, a single ended or differential clock, running at the input data rate, must be applied to the CLK+/CLK- inputs. If a single ended clock is to be used, both of these inputs should have the same dc bias. Data at the input ports one and two is latched into the AD9773 on the rising edge of the input clock. Care should be taken to ensure that the transitions of the input data do not violate the specified set-up and hold times.

The PLL clock multiplier and distribution circuitry produces the necessary internal synchronized 1×, 2×, 4×, and 8× clocks for the rising edge triggered latches, interpolation filters, modulators and DACs. Figure 7 shows a functional block diagram of the AD9773 clock circuitry with the PLL enabled. This circuitry consists of a phase detector, charge pump, voltage controlled oscillator (VCO), prescaler, clock distribution and SPI port control. The charge pump and VCO are powered from PLLVDD while the differential clock input buffer, phase detector, prescaler and clock distribution are powered from CLKVDD. PLL lock status is indicated by the logic signal at the PLL\_LOCK pin. To ensure optimum phase noise performance from the PLL clock multiplier and clock distribution, PLLVDD and CLKVDD must originate from the same clean analog supply.

The speed of the VCO with the PLL enabled also has an effect on phase noise. Optimal phase noise with respect to VCO speed is achieved by running the VCO in the range of 500MHz to 550MHz. The VCO speed is a function of the input data rate, of the interpolation rate and of the VCO prescaler according to the following function;

$$\text{VCO Speed (MHz)} = \text{Input Data Rate (MHz)} \times \text{Interpolation Rate} \times \text{Prescaler}$$

It is important to note that the resistor/capacitor needed for the PLL loop filter is included on the AD9773. This will suffice unless the input data rate is below 10MHz, in which case an external series RC will need to be added between the LPF and PLLVDD pins.

### PLL DISABLED, TWO PORT MODE

With the PLL disabled, and the AD9773 in two port mode, a single ended or differential clock, running at the DAC output rate, must be applied to the CLK+/CLK- inputs. In this mode, the internal clock dividers on the AD9773 are used to create a clock, available at the DATACLK pin, which runs at the input data rate. This can be used to synchronize the input data. Figure 8 shows a functional block diagram of the AD9773 clock circuitry with the PLL disabled.

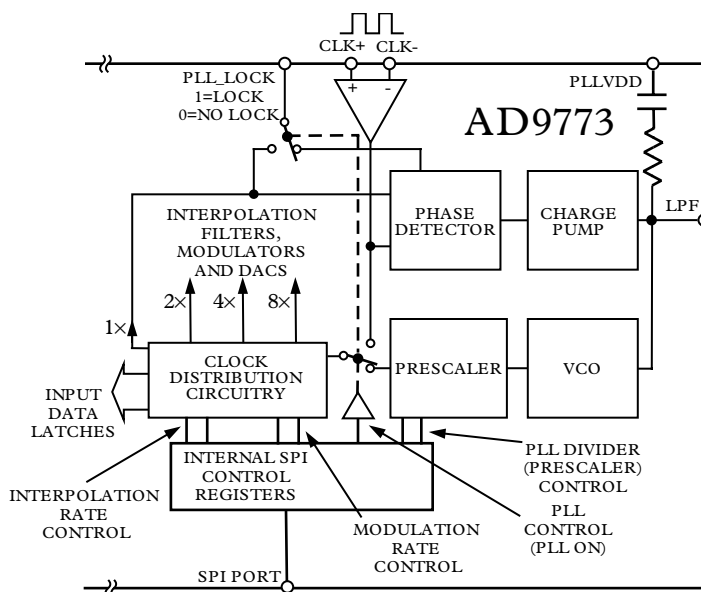


Figure 7. AD9773 PLL and Clock Circuitry with PLL Enabled

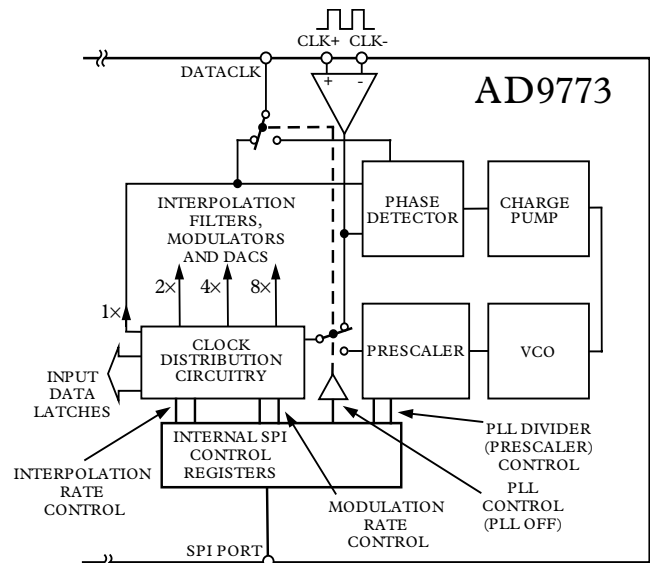


Figure 8. AD9773 PLL and Clock Circuitry with PLL Disabled

The two port mode is selected by setting control register 02h, bit 6, to logic 0. Data is latched into input ports one and two of the AD9773 on the rising edge of the clock at the DATACLK/PLL\_LOCK pin (pin 8). This clock can be internally generated by the AD9773 or externally applied by setting control register 02h, bit 3 to the desired value. Whether externally or internally generated, the speed of this clock is defined by the speed of the clock at CLK+/CLK-, divided by the

## AD9773

interpolation rate. The input data rate must also match this clock speed. Note that in this mode, the data rate at the input to the interpolation filters is the same as the input data rate at ports one and two.

**PLL DISABLED, ONE PORT MODE**

The one port mode is selected by setting control register 02h, bit 6, to logic 1. Data to the I and Q channels must now be multiplexed onto the data entering data port 1. Pin 32 (ONEPORTCLK) is now a clock signal output. Because the multiplexed data must run at twice the data rate of the inputs to the I and Q channels, the speed of ONEPORTCLK is defined as  $2\times$  the speed of the clock at CLK+/CLK-, divided by the interpolation rate. Pin 31 (IQSEL) can be used to select the I or Q channels for input. IQSEL = 1, followed by a rising clock edge will latch the input data into the I channel, while IQSEL = 0, followed by a rising clock edge will latch the input data into the Q channel.

One port mode is very useful when interfacing with devices, such as the Analog Devices AD6622 Transmit Signal Processor, in which two digital data channels have been interlaced (multiplexed).

As defined in control register 02h, bit 7, the AD9773 can accept either signed or unsigned input data.

**DIGITAL FILTER MODES**

The I and Q data paths of the AD9773 each have their own independent half-band FIR filters, providing up to  $8\times$  interpolation for each channel. Each channel consists of 3 FIR filters. Figure 1 shows the response of the digital filters when the AD9773 is set to  $2\times$ ,  $4\times$ , and  $8\times$  modes. Note that the frequency axis of these graphs have been normalized to the output data rate of the DAC. As the graphs show, the digital filters can provide greater than 75dB of out of band rejection.

**MODULATION MODES****INTERPOLATING (NO MODULATION)**

With control register 01h, bits 5 and 4, set to 00, the digital modulators on the AD9773 are disabled. The AD9773 operates in this mode simply as a dual interpolating ( $1\times$ ,  $2\times$ ,  $4\times$ ,  $8\times$ ) DAC. Filter responses for this mode are defined in Figure 1.

**INTERPOLATING (REAL MIX MODULATION)**

The digital modulators in the AD9773 can be enabled by setting control register 01h, bits 5 and 4, to correspond to the desired  $fs/2$ ,  $fs/4$ ,  $fs/8$  modulation mode (see register descriptions on page 11). Real mix mode is enabled by setting control register 01h, bit 2, to a logic 1. In this mode, the modulators act individually on each data path, with no complex mixing between modulators.

**INTERPOLATING (COMPLEX MIX MODE)**

Complex Modulation is enabled by setting control register 01h, bit 2, to a logic 0. In this mode the two digital modulators on the AD9773 are coupled to provide a complex modulation function. In conjunction with an external quadrature modulator, this complex modulation can be used to realize a transmit image rejection architecture. The complex modulation function can be programmed for  $e^{+j\omega t}$  or  $e^{-j\omega t}$  to give upper or lower image rejection. The modulation frequency  $\omega$  can be programmed via the SPI port for  $fs/2$ ,  $fs/4$  and  $fs/8$ , where  $fs$  represents the DAC output rate.

**AMPLITUDE MODULATION**

Given two sine waves at the same frequency, but with a 90 phase difference, a point of view in time can be taken such the waveform which leads in phase is cosinusoidal, and the waveform which lags is sinusoidal. Analysis of complex variables states that the cosine waveform can then be defined with real positive and negative frequency components, while the sine waveform consists of imaginary positive and negative frequency components. These waves are shown graphically in the frequency domain in figure 9.

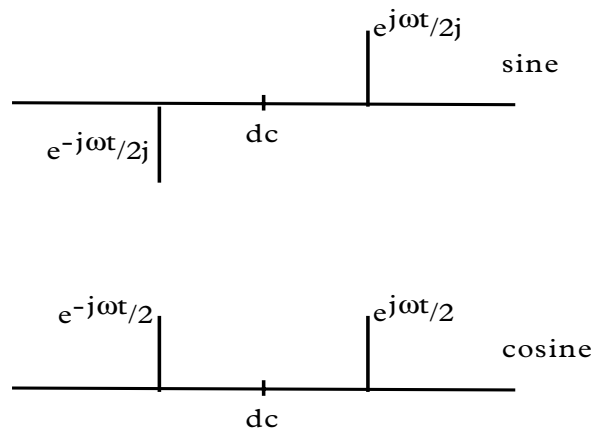


Figure 9. Real and Imaginary Components of Sinusoidal and Cosinusoidal Waveforms.

Amplitude modulating a real baseband signal with a sine or a cosine convolves the baseband signal with the modulating carrier in the frequency domain. Amplitude scaling of the modulated signal occurs and is dependent on whether the modulating carrier is sine or cosinusoidal, again with respect to the reference point of the viewer. An example of sine and cosine modulation is given in figure 10.

**OPERATIONS ON COMPLEX SIGNALS**

Truly complex signals can not be realized outside of a computer simulation. However, two data channels, both consisting of real data, can be defined as the real and imaginary components of a complex signal. I (real) and Q (imaginary) data paths are often defined this way. By



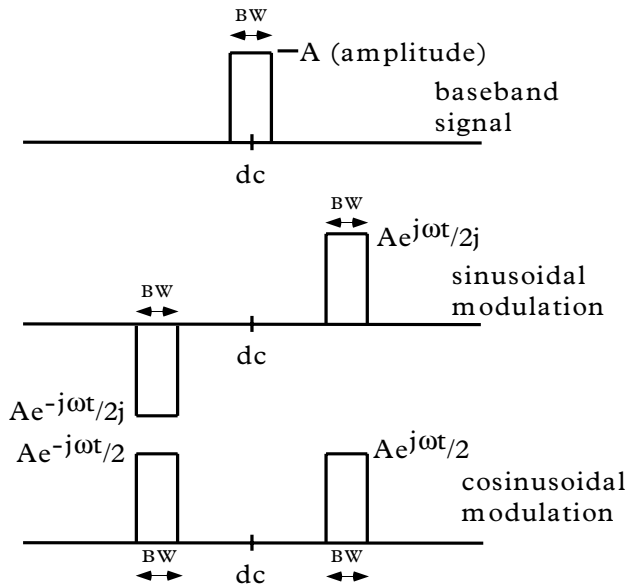


Figure 10. Identical Baseband Signals, Amplitude Modulated with Sine and Cosine Carriers.

using the architecture defined in figure 11, a system can be realized which operates on complex signals, giving a complex (real and imaginary) output.

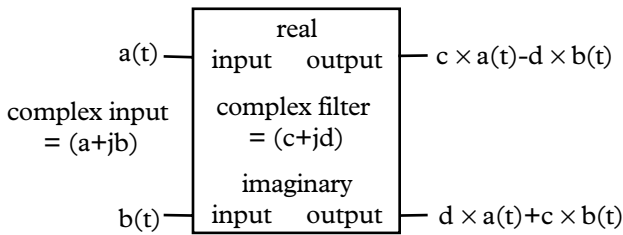


Figure 11. Realization of a Complex Filter

If a complex modulation function ( $e^{+j\omega t}$ ) is desired, the real and imaginary components of the system correspond to the real and imaginary components of  $e^{+j\omega t}$ , or  $\cos\omega t$  and  $\sin\omega t$ . As Figure 12 shows, the complex modulation function can be realized by applying these components to the structure of the complex system defined in Figure 11.

**COMPLEX MODULATION AND IMAGE REJECTION**

In many applications, a two step upconversion is done in which the baseband signal is modulated by one carrier to an IF (intermediate frequency) and then modulated a second time to the transmit frequency. Although this approach has several benefits, a major drawback is that two images are created near the transmit frequency. Only one image is needed, the other being an exact duplicate. Unless the unwanted image is filtered, typically with analog components, transmit power is wasted and the usable bandwidth available in the system is reduced.

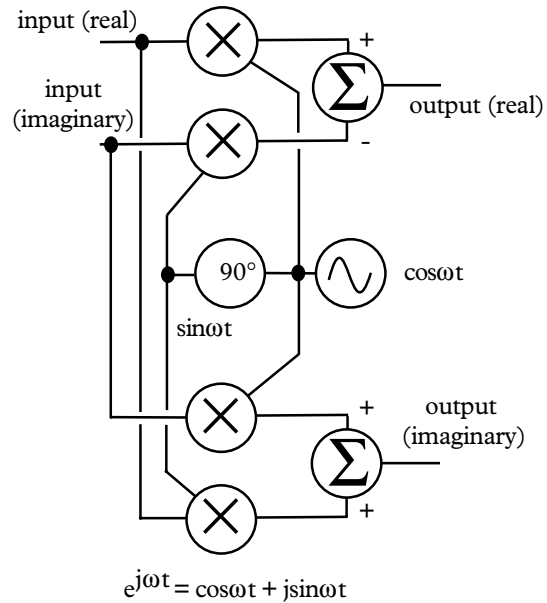


Figure 12. Implementation of Complex Modulator

A more efficient method of suppressing the unwanted image can be achieved by using a complex modulator followed by a quadrature modulator. Figure 13 shows a block diagram of a quadrature modulator. Note that it is in fact the real output half of a complex modulator.

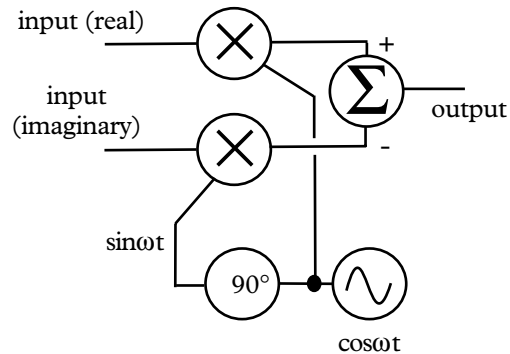


Figure 13. Quadrature Modulator

The complete upconversion can actually be referred to as two complex upconversion stages, the real output of which becomes the transmitted signal.

The entire upconversion, from baseband to transmit frequency, is represented graphically in figure 14. The resulting spectrum shown in figure 14 represents the complex data consisting of the baseband real and imaginary channels, now modulated onto orthogonal (cosine and negative sine) carriers at the transmit frequency. Note that by changing the sign of the sinusoidal multiplying term in the complex modulator, the upper sideband image could have been suppressed while passing the lower one.

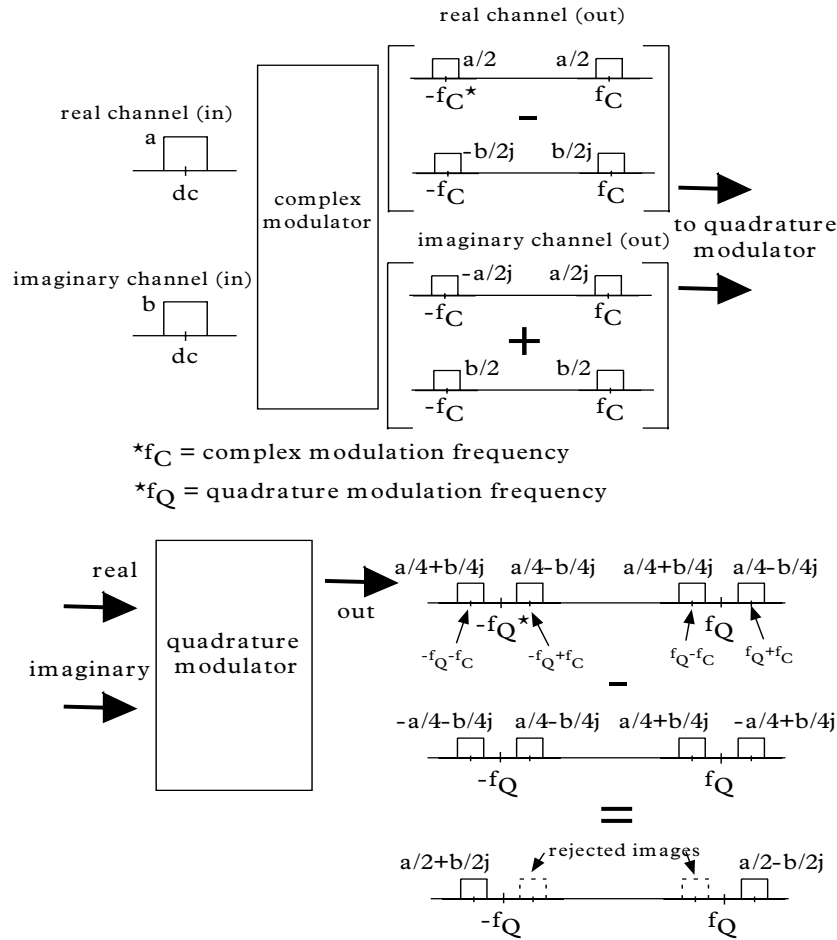


Figure 14. Two Stage Upconversion and Resulting Image Rejection

In purely complex terms, figure 15 represents the two stage upconversion from complex baseband to carrier. In this example,  $\omega_1$  and  $\omega_2$  represent the modulation frequencies of the digital complex modulator and the quadrature modulator.

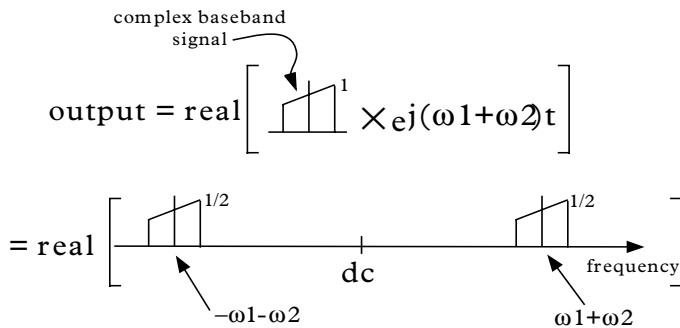


Figure 15. Complex Representation of Two Stage Upconversion

**ST-80A**  
**80-Lead Thin Plastic Quad Flatpack - 1.4mm Thick [LQFP]**

