

PWM/PFM Dual Mode Step-down DC/DC Controller

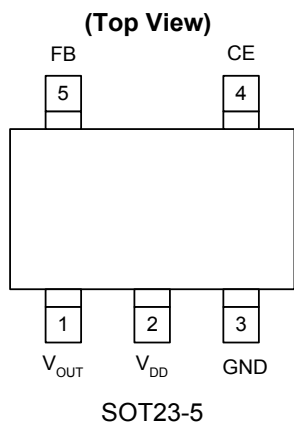
■ Features

- Input voltage range: 2.2V~8V (V_{OUT} type)
- Adjustable version ($\pm 2.5\%$)
- Oscillator frequency: 270KHz ($\pm 15\%$)
- High Efficiency: 92% (typ.)
- Stand-by capability: $I_{STB} = 3\mu A$. (max.)
- Soft-start time set-up externally type possible
- Output voltage type possible (FB)
- Package: SOT23-5

■ Applications

- Electronic Information Organizers
- Palmtops
- Cellular and portable phones
- Portable Audio Systems
- Various Multi-function Power Supplies

■ Pin Assignment



■ General Descriptions

The AP1625 series are multi-functional step-down DC/DC converters with built-in speed, low ON resistance drivers. A more than 1A output current is possible using an externally connected transistor, coil, diode and capacitor.

Output voltage is set-up by external resistor. ($\pm 2.5\%$ accuracy).

With a 270KHz switching frequency, the size of the external components can be reduced.

Control switches from PWM to PFM during light loads with the AP1625 (PWM/PFM switchable) and the series is highly efficient from light loads to large output currents.

In relation to soft-start time external capacitor regulated types.

During stand-by time (CE pin "LOW"), current consumption is reduced to less than $0.5\mu A$.

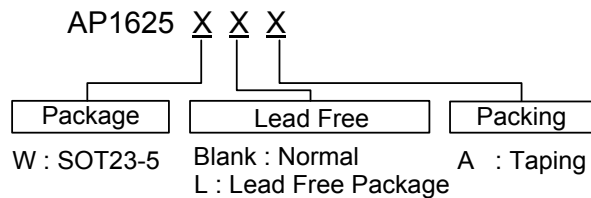
With U.V.L.O internal, the external MOSFET. Will be forcibly switched off if used below the stipulated voltage.

■ Pin Descriptions

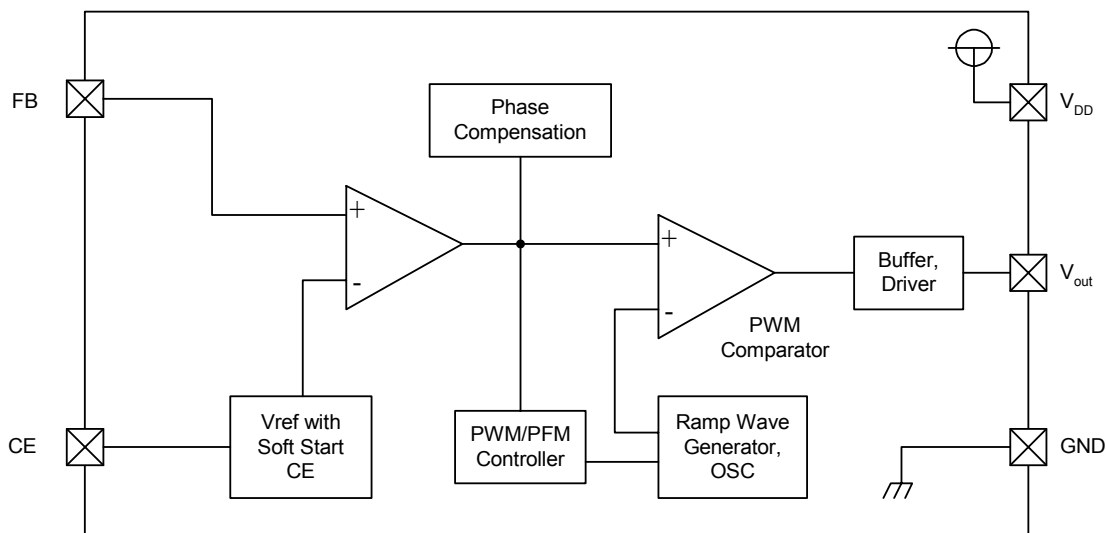
Pin No.	Pin Name	Function
1	V_{OUT}	External PMOSFET Connection
2	V_{DD}	Power Supply
3	GND	Ground
4	CE	Chip Enable Soft-start capacitor connection
5	FB	Feedback pin

PWM/PFM Dual Mode Step-down DC/DC Controller

Ordering Information



Block Diagrams



Absolute Maximum Ratings

Ta=25°C

Parameter	Symbol	Rating	Unit
V _{IN} Pin Voltage	V _{DD}	-0.3 ~ 8.5	V
V _{OUT} Pin Voltage	V _{OUT}	-0.3 ~ V _{IN} +0.3	V
FB Pin Voltage	V _{FB}	-0.3 ~ V _{IN} +0.3	V
CE Pin Voltage	V _{CE}	-0.3 ~ V _{IN} +0.3	V
V _{OUT} Pin Current	V _{OUT}	±100	mA
Continuous Total Power Dissipation	P _d	250	mW
Operating Ambient Temperature	T _{opr}	-30 ~ +80	°C
Storage Temperature	T _{stg}	-40 ~ +125	°C



PWM/PFM Dual Mode Step-down DC/DC Controller

■ Electrical Characteristics

AP1625 (V_{OUT}=3.3V, F_{OSC}=270KHz) Ta=25°C

Parameter	Symbol	Conditions	Min.	Typ.	Max.	Unit
FB	V _{FB}		1.17	1.2	1.23	V
Maximum Input Voltage	V _{IN}		8			V
UVLO Voltage (min. operating voltage)	V _{UVLO}	Same as I _{DD} , voltage required to maintain H at V _{OUT}			2.2	V
Supply Current	I _{DD}	No external components, CE=V _{IN} , V _{OUT} =0V		40	110	μA
Stand-by Current	I _{STB}	No external components, CE=V _{IN} , V _{OUT} =0V			2	μA
Oscillator Frequency	F _{OSC}	Measuring of EXT/waveform, V _{IN} =output voltage+0.3V	230	270	310	KHz
Maximum Duty Ratio	MAXDTY		100			%
PFM Duty Ratio	PFMDTY	NO load (AP1625 only)	15	25	35	%
CE"High" Voltage	V _{CEH}	NO external components, V _{FB} =0V, apply 0.65V (min.) to CE, determine V _{OUT} "Low"	0.5			V _{CC}
CE"Low" Voltage	V _{CEL}	Same as V _{CEH} , determine EXT"High"			0.20	V
Efficiency	EFFI			92		%
Soft-Start Time	T _{SS}	Use a 33 nF Capacitor	5	15		msec

Measuring conditions: Unless otherwise specified, connect external components. V_{IN}=5.0V, L_{OUT}=220mA
Series Amendment:

AP1625

External Components: C_{SS} = 0.033μF, R_{SS} = 470kΩ

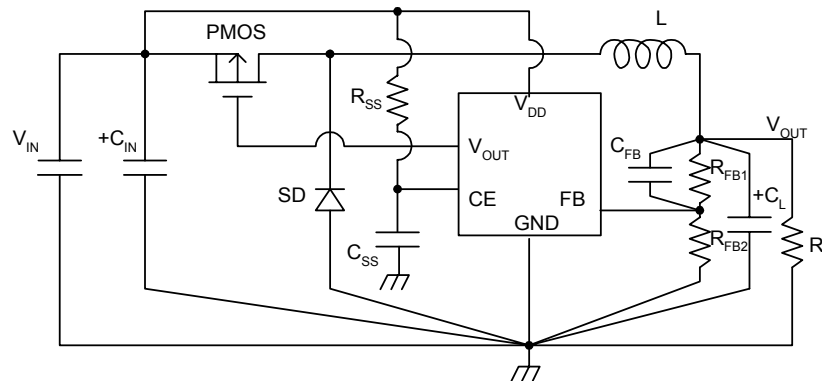
The Following Parameter Applies:

Soft Start Time (T_{SS}) : Connect R_{SS}, C_{SS}. CE, 0V → 3.0V (When V_{IN} < 3.0V, V_{IN} = 3.0V)

PWM/PFM Dual Mode Step-down DC/DC Controller

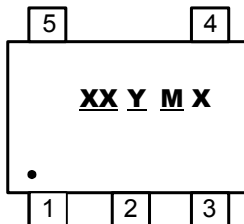
■ Typical Application Circuit

AP1625



■ Marking Information

SOT23-5L



SOT23-5L

XX : Identification code
(See Appendix)
Y : Year: 0-9
M : Month: A~L
X : Blank: normal
L : Lead Free Package

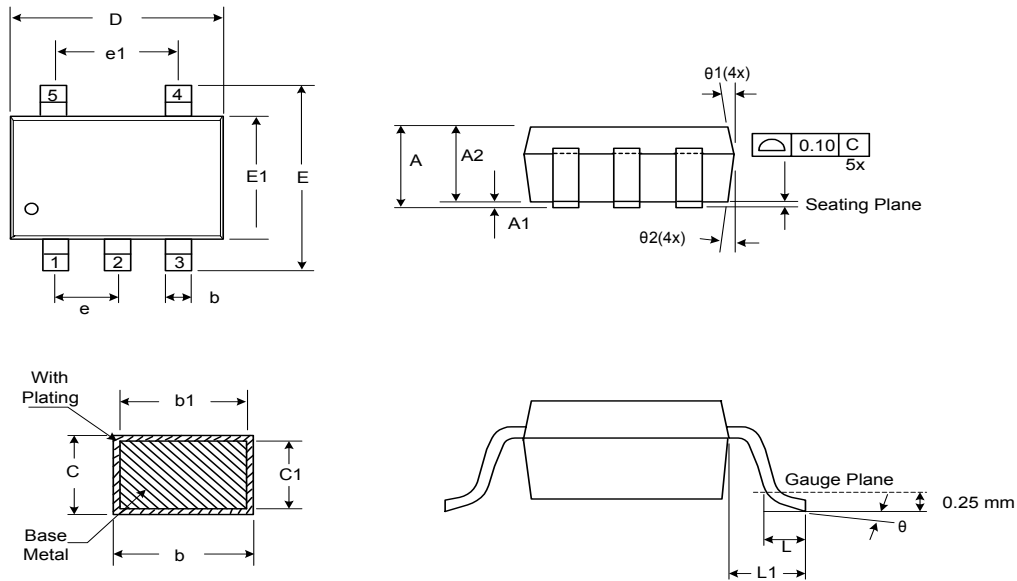
Appendix

Part Number	Package	Identification Code
AP1625	SOT23-5	EW

PWM/PFM Dual Mode Step-down DC/DC Controller

■ Package Information

Package Type: SOT23-5L



Symbol	Dimensions In Millimeters			Dimensions In Inches		
	Min.	Nom.	Max.	Min.	Nom.	Max.
A	1.05	1.20	1.35	0.041	0.047	0.053
A1	0.05	0.10	0.15	0.002	0.004	0.006
A2	1.00	1.10	1.20	0.039	0.043	0.047
b	0.25	-	0.55	0.010	-	0.022
b1	0.25	0.40	0.45	0.010	0.016	0.018
c	0.08	-	0.20	0.003	-	0.008
c1	0.08	0.11	0.15	0.003	0.004	0.006
D	2.70	2.85	3.00	0.106	0.112	0.118
E	2.60	2.80	3.00	0.102	0.110	0.118
E1	1.50	1.60	1.70	0.059	0.063	0.067
L	0.35	0.45	0.55	0.014	0.018	0.022
L1	0.60 Ref.			0.024 Ref.		
e	0.95 Bsc.			0.037 Bsc.		
e1	1.90 Bsc.			0.075 Bsc.		
θ	0°	5°	10°	0°	5°	10°
θ1	3°	5°	7°	3°	5°	7°
θ2	6°	8°	10°	6°	8°	10°