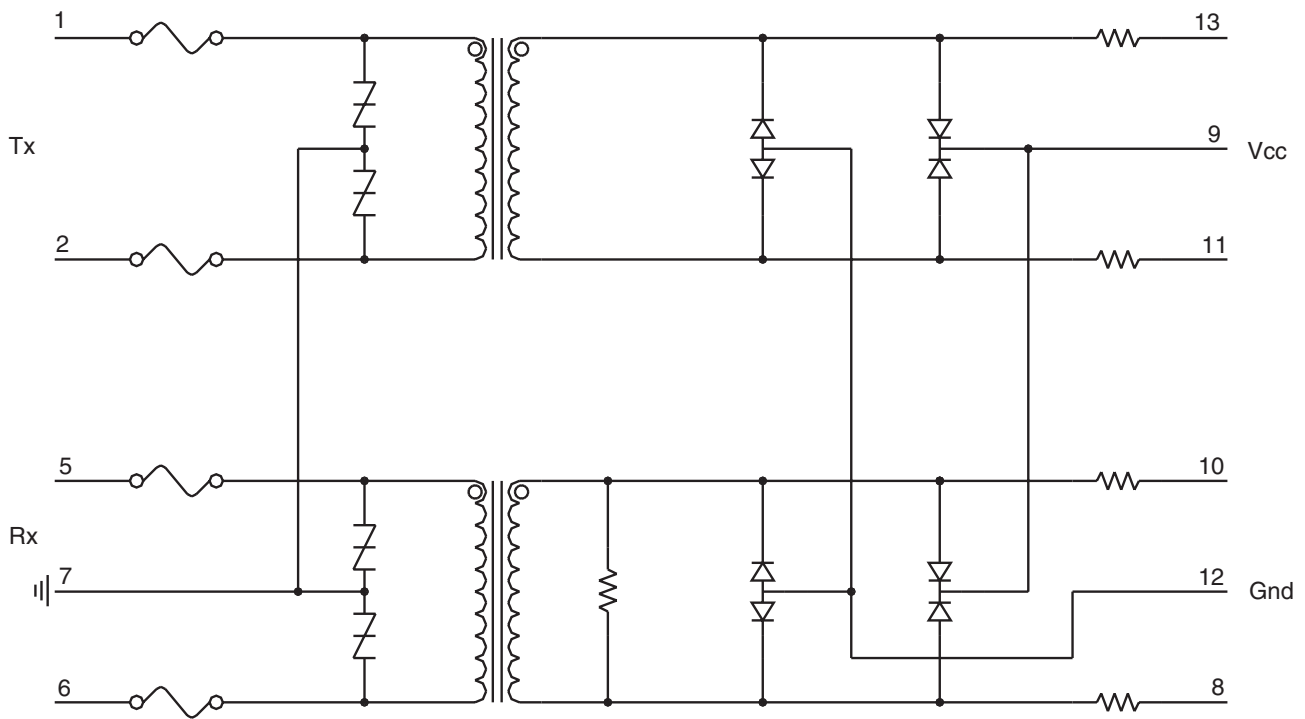


**“Slim Line” Hybrid for Infineon T1/E1/J1 ICs**  
**APC82238**

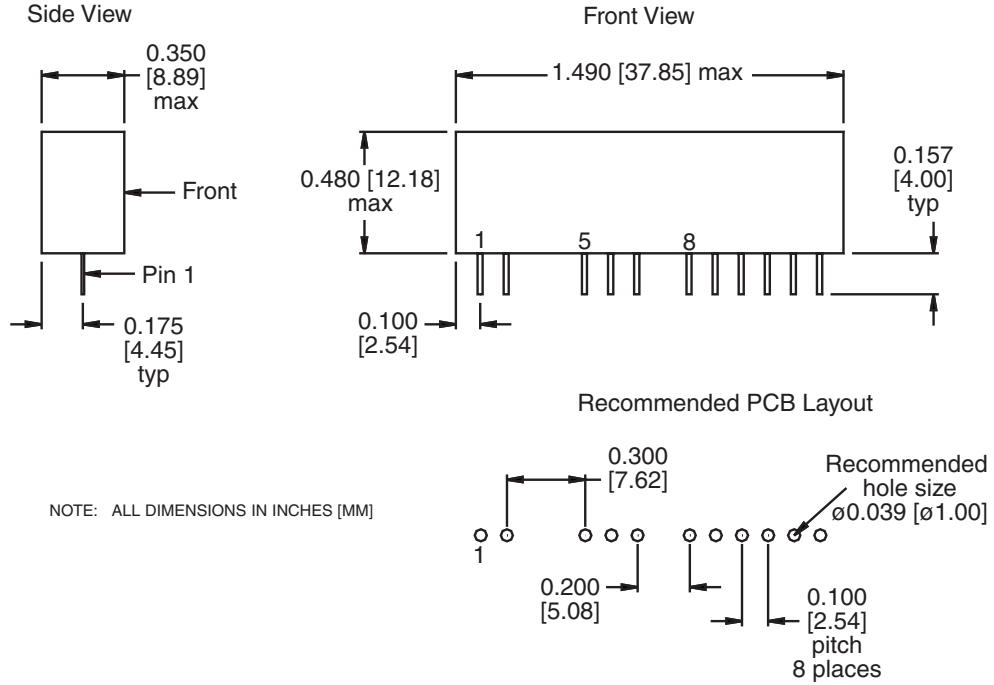
**FEATURES**

- Supports Falc and Quad Falc chipsets for T1/E1/J1 applications including PEB2256 and PEB22554
- Minimum board space requirement - ideal for multiple interface line cards
- “Slim Line” T1/E1/J1 hybrid has been designed to minimize the board space requirements for line interface circuitry on the T1/E1/J1 multichannel line cards

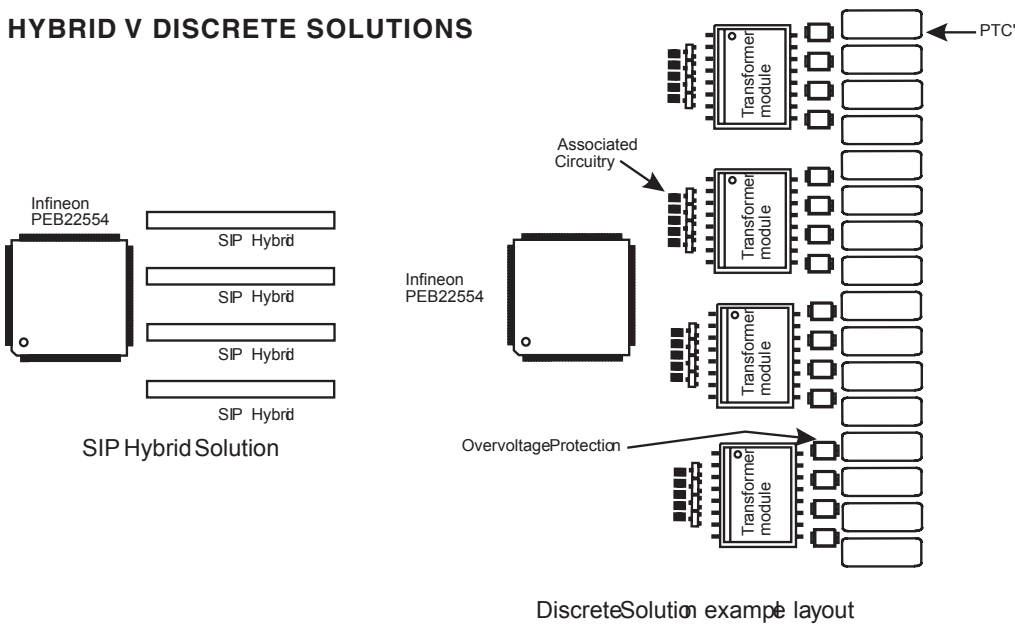
**SCHEMATIC**



### MECHANICAL



### HYBRID V DISCRETE SOLUTIONS



©2004 Bel Fuse Inc. Specifications subject to change without notice. 03.19.04

#### CORPORATE

**Bel Fuse Inc.**  
206 Van Vorst Street  
Jersey City, NJ 07302  
Tel 201-432-0463  
Fax 201-432-9542  
www.belfuse.com

#### FAR EAST

**Bel Fuse Ltd.**  
8F / 8 Luk Hop Street  
San Po Kong  
Kowloon, Hong Kong  
Tel 852-2328-5515  
Fax 852-2352-3706  
www.belfuse.com

#### EUROPE

**Bel Stewart Connector**  
45/46 Riverside  
Medway City Estate  
Rochester, Kent ME2 4DP U.K.  
Tel 44-1634-722890  
Fax 44-1634-716677  
www.belfuse.com