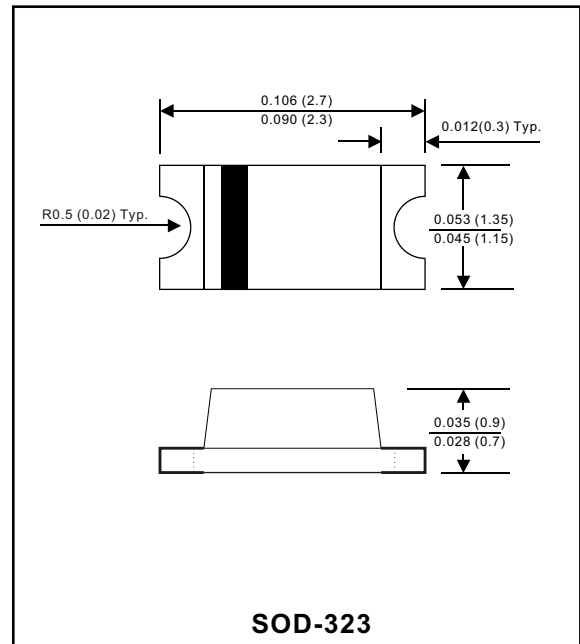


ASD751V-N

Surface mount small signal type

Features

- Extermely low VF
- Extermely thin package
- Low stored charge
- Majority carrier conduction



Mechanical data

Case : Molded plastic, JEDEC SOD-323

Terminals : Solder plated, solderable per ML-STD-750,
Method 2026

Polarity : Indicated by cathode band

Mounting Position : Any

Weight : 0.000159 ounce, 0.0045 gram

MAXIMUM RATINGS (AT $T_A=25^\circ\text{C}$ unless otherwise noted)

| PARAMETER | CONDITIONS | Symbol | MIN. | TYP. | MAX. | UNIT |
|---------------------------------|---|-----------|------|------|------|------------------|
| Repetitive peak reverse voltage | | V_{RM} | | | 40 | V |
| Continuous reverse voltage | | V_R | | | 30 | V |
| Mean rectifying current | | I_O | | | 30 | mA |
| Forward surge current | 8.3ms single half sine-wave superimposed on rate load (JEDEC methode) | I_{FSM} | | 200 | | mA |
| Capacitance between terminals | f=1MHz and applied 10VDC reverse voltage | C_T | | 20 | | pF |
| Storage temperature | | T_J | -40 | | +125 | $^\circ\text{C}$ |
| Operating temperature | | T_{STG} | -40 | | +125 | $^\circ\text{C}$ |

ELECTRICAL CHARACTERISTICS (AT $T_A=25^\circ\text{C}$ unless otherwise noted)

| PARAMETER | CONDITIONS | Symbol | MIN. | TYP. | MAX. | UNIT |
|-----------------|---------------------------|--------|------|------|------|---------------|
| Forward voltage | $I_F = 1.0 \text{ mA DC}$ | V_F | | 0.26 | 0.37 | V |
| Reverse current | $V_R = 30 \text{ V DC}$ | I_R | | 0.17 | 0.5 | μA |

RATING AND CHARACTERISTIC CURVES (ASD751V-N)

FIG.1-TYPICAL FORWARD CHARACTERISTICS

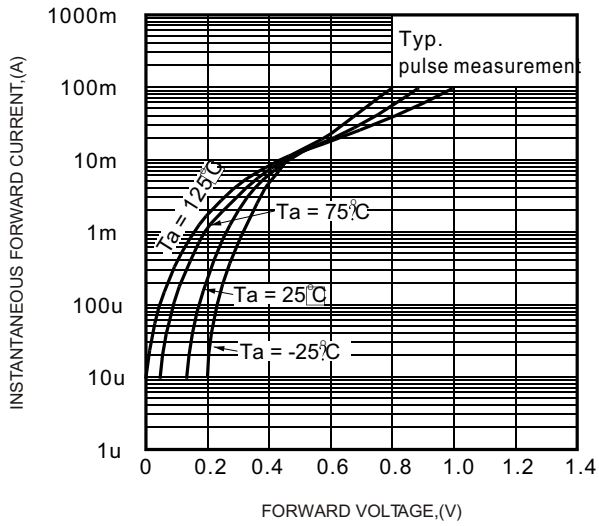


FIG.2 - TYPICAL REVERSE CHARACTERISTICS

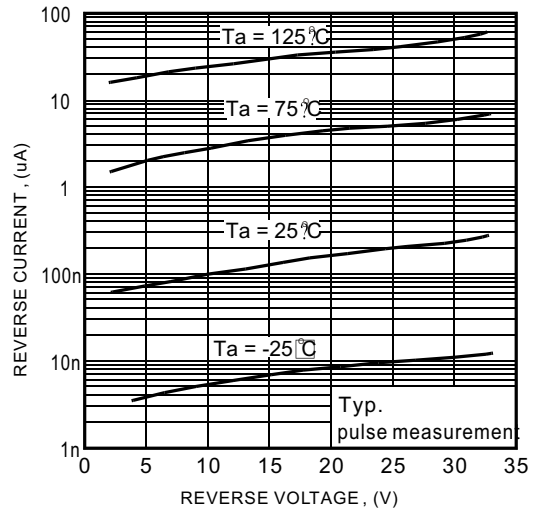


FIG.3-TYPICAL TERMINALS CAPACITANCE

