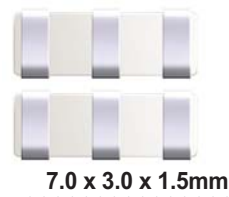


# 10.7M CERAMIC FILTER

ASFC 10.7M

\* RoHS COMPLIANT



## FEATURES:

- Small size, Light weight
- Low loss and high attenuation.

## APPLICATIONS:

- FM receivers
- Digital transmission systems
- Communications applications.

## STANDARD SPECIFICATIONS:

### PARAMETERS

Frequency Range	10.700MHz $\pm$ 30KHz
Operating Temperature	- 20° C to + 85° C
Storage Temperature	- 40° C to + 85° C

### STANDARD

PART NUMBER	3dB BANDWIDTH (KHz)	20dB BANDWIDTH (KHz) max.	INSERTION LOSS (dB) max.	SPURIOUS ATTENUATION N 9-12MHz	INPUT/OUTPUT IMPEDANCE ( $\Omega$ )
ASFC10.7MA	280 $\pm$ 50	650	6	30	330
ASFC10.7MS	230 $\pm$ 50	600	6	30	330
ASFC10.7MJ	150 $\pm$ 40	430	10	30	330

### LOW-LOSS TYPE

PART NUMBER	3dB BANDWIDTH (KHz)	20dB BANDWIDTH (KHz) max.	INSERTION LOSS (dB) max.	SPURIOUS ATTENUATION N 9-12MHz	INPUT/OUTPUT IMPEDANCE ( $\Omega$ )
ASFC10.7MA19	350 min.	950	3.0 $\pm$ 2.0	20	470
ASFC10.7MC40	180 $\pm$ 40	470	4.0 $\pm$ 2.0	35	330

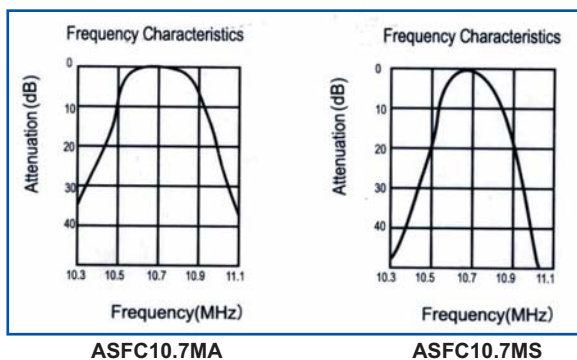
## MARKING:

- MXXX (XXX stands for suffix such as A, S, J, A19 or C40)

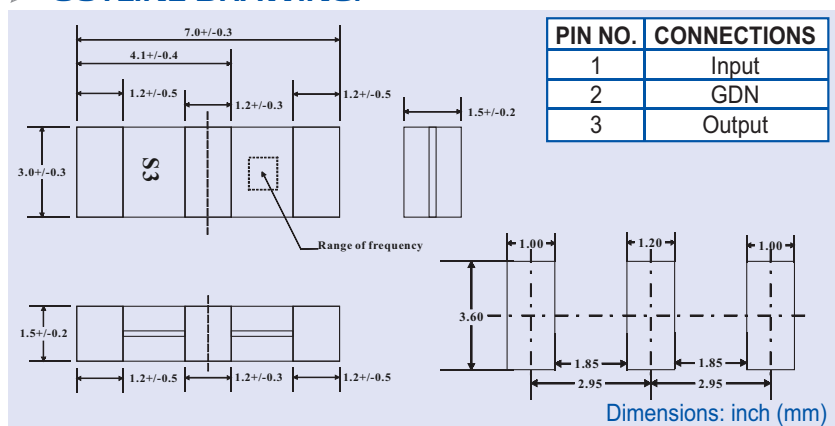
## ORDERING INFORMATION:

ASFC10.7MXXX - Packaging  
-T Tape and Reel

## FREQUENCY CHARACTERISTICS:



## OUTLINE DRAWING:



## TEST CIRCUIT:

