

# HIGH CURRENT SHIELDED INDUCTOR

ASPI-5123-XXX

\* RoHS COMPLIANT



12.9 x 12.9 x 5.8mm

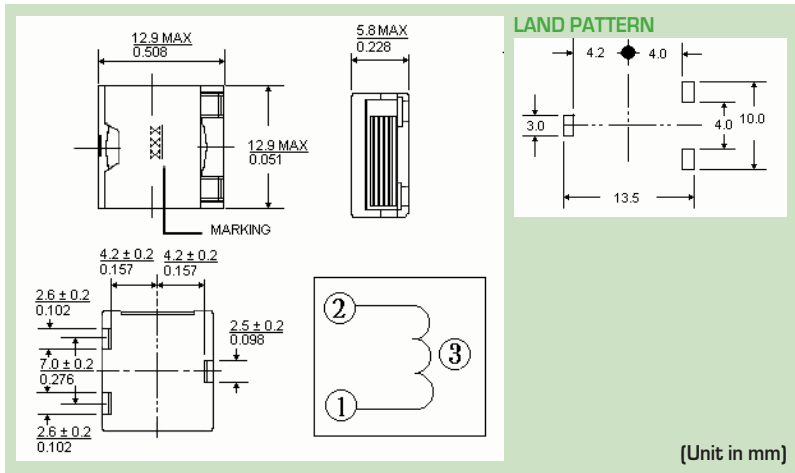
## FEATURES & APPLICATIONS:

- Surface Mountable High Saturation Power Inductors
- Applications: Power supply for VTR, OA equipment, LCD television set, notebook PC, portable communication, equipments, DC/DC converters, etc.

## STANDARD SPECIFICATIONS:

Part Number	L ( $\mu$ H) $\pm 20\%$	ASPI-5123 (Standard Type)		ASPI-5123 (High Power Type)		ASPI-5123 (Ultra Power Type)	
		DCR (m $\Omega$ ) Max	Rated DC Current (A)	DCR (m $\Omega$ ) Max	Rated DC Current (A)	DCR (m $\Omega$ ) Max	Rated DC Current (A)
ASPI-5123U- R30	0.3					2.5	35.0
ASPI-5123U- R60	0.6					2.5	30.0
ASPI-5123U- R80	0.8					2.5	27.2
ASPI-5123H- 1R0	1.0			2.5	20.0		
ASPI-5123S- 1R2	1.2	2.5	17.0				
ASPI-5123U- 1R4	1.4					3.4	20.8
ASPI-5123S- 1R5	1.5	2.5	14.0				
ASPI-5123H- 1R8	1.8			3.4	15.3		
ASPI-5123U- 2R2	2.2					5.4	14.8
ASPI-5123S- 2R5	2.5	3.4	10.0				
ASPI-5123H- 2R8	2.8			5.4	12.3		
ASPI-5123U- 3R2	3.2					8.0	12.8
ASPI-5123S(H)- 4R0	4.0	5.4	8.3	0.8	10.3		
ASPI-5123U- 4R3	4.3					11.4	11.0
ASPI-5123H(U)- 5R6	5.6			11.4	8.8	13.5	9.5
ASPI-5123S(H)- 6R0	6.0	8.0	6.7	13.5	7.8		
ASPI-5123H- 7R2	7.2			13.5	7.8		
ASPI-5123S- 8R2	8.2	11.4	5.8				
ASPI-5123S- 100	100	13.5	5.0				

## PHYSICAL CHARACTERISTICS:



## TECHNICAL INFORMATION:

- Open Circuit Inductance
- Test Parameters: 100KHZ 0.25V
- DCR limits 25°C
- Tolerance of inductance  $\pm 20\%$ (M)
- The rated current indicates the current when the inductance decreases to 75% over its nominal value or D.C. current when the temperature rising  $\Delta T=40^\circ\text{C}$  lower, whichever is lower.

**Note:** All specifications subject to change without notice.

## PACKAGING INFORMATION:

- Parts are packaged on 13" reels. 500 parts per reel.

## ORDERING CODE:

ASPI-5123S(H,U)- R80

