

Features

- Wake-up Function for a Microcontroller with Preamble Detection
- 1 mV_{rms} Sensitivity
- 1 μ A Standby Current
- Power Supply: 2V to 3.8V
- Baud Rate: up to 4 kbps (ASK Modulation)
- Operation Temperature: up to 125°C
- Withstands +175°C
- Few External Components

Application

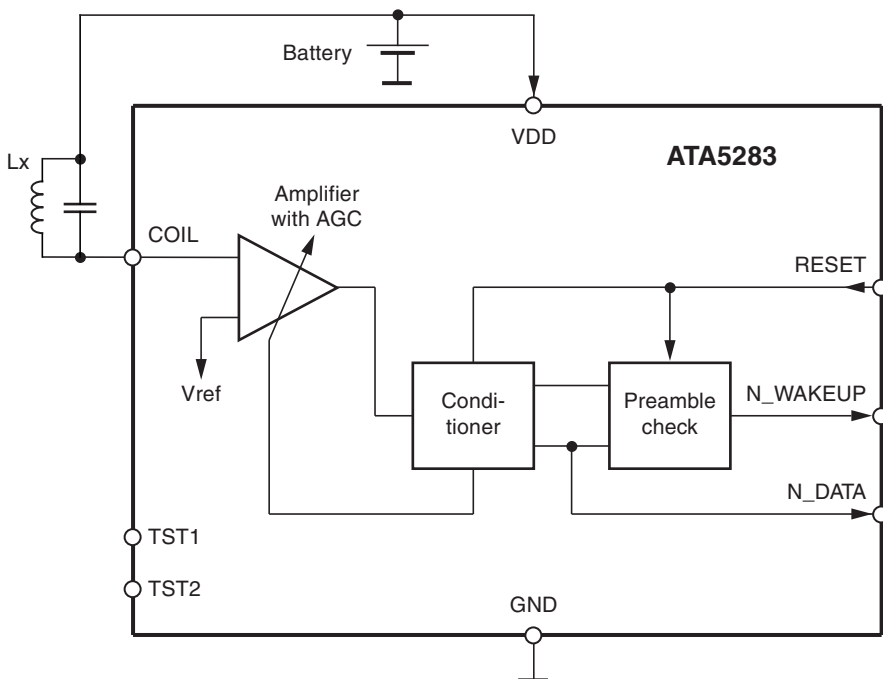
- Tire Pressure Monitoring (TPM)

1. Description

The ATA5283 is a 125 kHz ultra-low power receiver used for the wake-up function of Tire Pressure Monitoring (TPM) application. The sensitive input stage of the IC amplifies and demodulates the carrier signal from the antenna coil to a digital output signal for a microcontroller. During the standby mode the preamble detection unit monitors the incoming signal and activates the wake-up output and the data output, if the IC receives a proper 125 kHz carrier signal.

By combining the IC with an antenna coil, a microcontroller, an RF transmitter/transceiver, a battery, temperature- and pressure sensor, it is possible to design a complete Tire Pressure Monitoring system (TPM).

Figure 1-1. Block Diagram



Interface IC for 125 kHz Wake-up Function

ATA5283

2. Pin Configuration

Figure 2-1. Pinning TSSOP8L

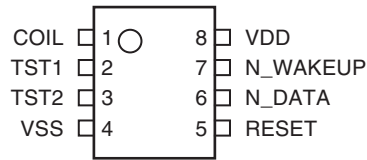


Figure 2-2. Pin Description

Pin	Symbol	Function
1	COIL	Antenna coil input
2	TST1	Test pin (reserved)
3	TST2	Test pin (reserved)
4	VSS	Signal ground
5	RESET	External reset input
6	N_DATA	Data signal
7	N_WAKEUP	Low active wake-up signal for microcontroller
8	VDD	Battery voltage

3. Functional Description

The ATA5283 is an ultra-low power ASK receiver. Without a carrier signal it operates in the standby listen mode. In this mode it monitors the coil input with a very low current consumption. To activate the IC and the connected control unit, the transmitting stage must send the preamble carrier burst. After a preamble is detected the IC is activated. It adapts the gain of the input stage and enables the wake-up and the data output. The first gap at the end of the preamble generates a wake-up signal for the microcontroller. After that the receiver outputs the data signal at N_DATA. To return the IC into the standby listen mode it must be reset via the RESET input.

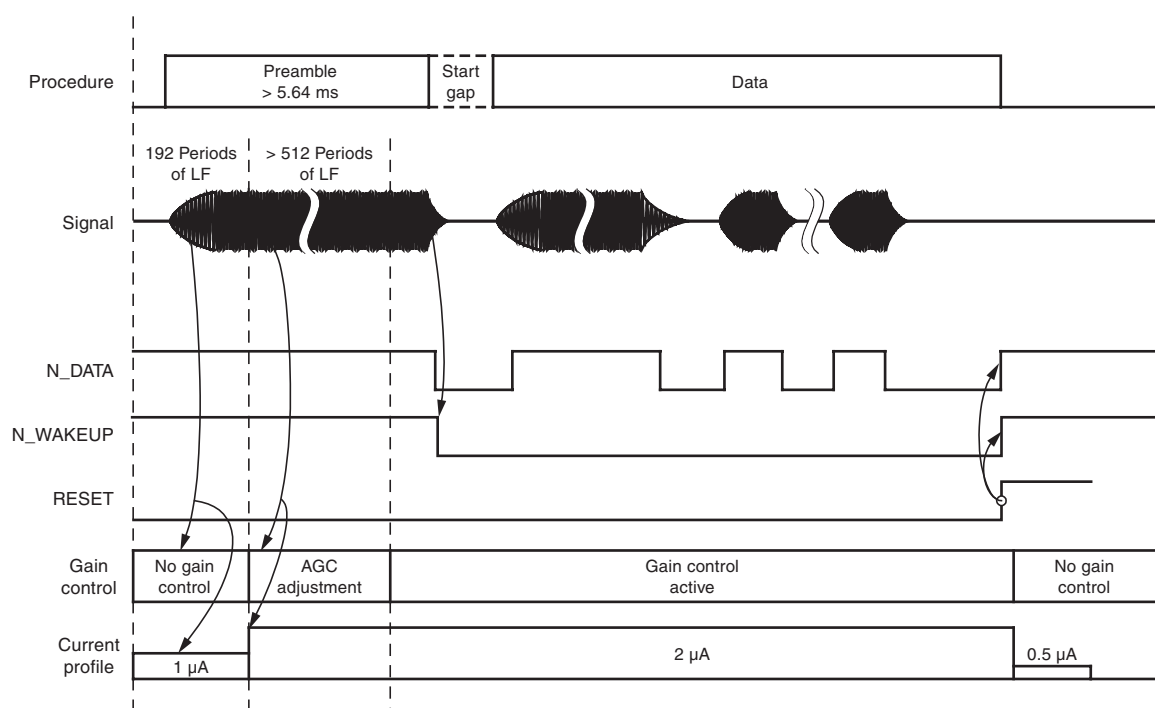
3.1 AGC Amplifier

The input stage contains an Automatic Gain Control (AGC) amplifier to amplify the input signal from the coil. The gain is adjusted by the automatic gain control circuit if a preamble signal is detected. The high dynamic range of the AGC enables the IC to operate with input signals from $1 \text{ mV}_{\text{rms}}$ to $1.1 \text{ V}_{\text{rms}}$. After the AGC settling time the amplifier output delivers a 125 kHz signal with an amplitude adjusted for the following evaluation circuits' preamble detection, signal conditioner, wake-up.

3.2 Preamble Detection

Before data transmission the IC stays in standby listen mode. To prevent the circuit from unintended operations in a noisy environment the preamble detection circuit checks the input signal. A valid signal is detected by a counter after 192 carrier periods without interrupts. Short interrupts which are suppressed by the signal conditioner are tolerated. When a valid carrier (preamble) is found the circuit starts the automatic gain control. It requires up to 512 carrier periods to settling. The complete preamble should have 704 carrier periods minimum. The preamble is terminated and the data transfer is started with the first gap (Start Gap) in the carrier (see [Figure 3-1](#)).

Figure 3-1. Communication Protocol

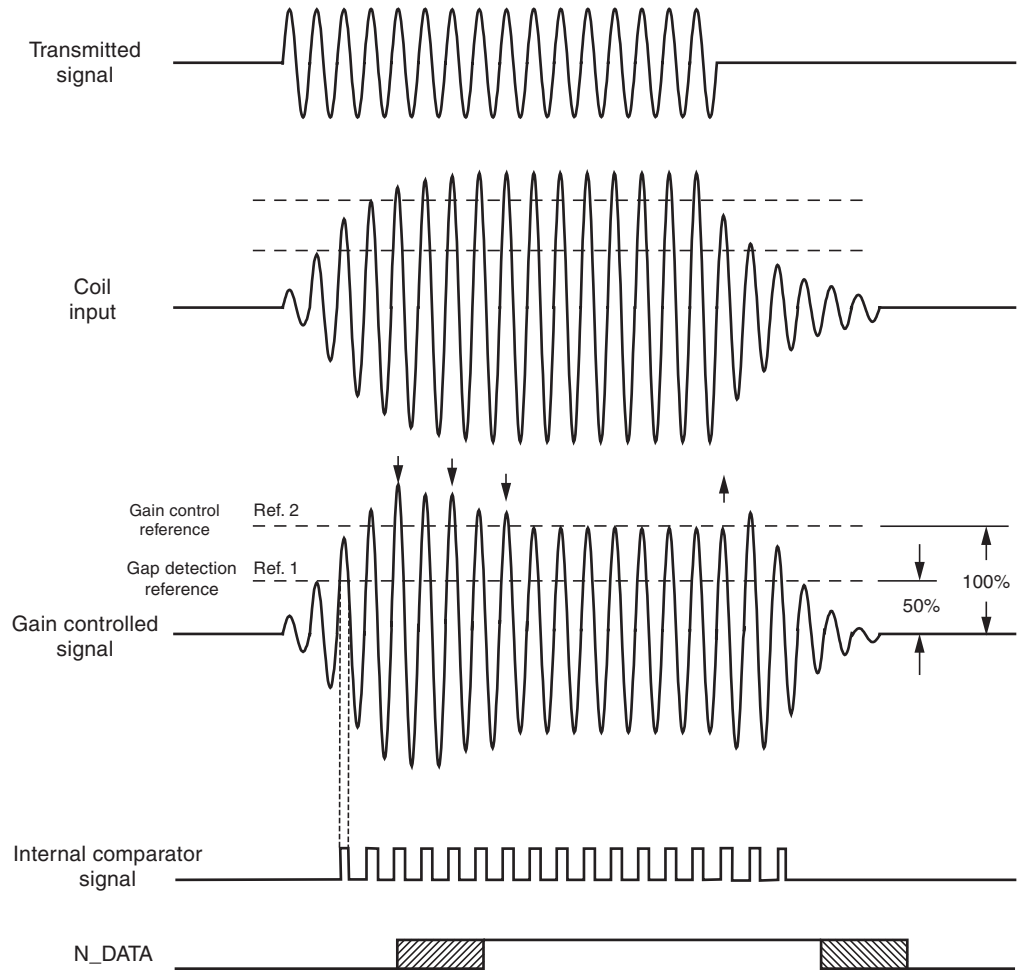


3.3 Automatic Gain Control

For a correct demodulation the signal conditioner needs appropriate internal signal amplitude. To control the input signal the ATA5283 has a built in digital AGC. The gain control circuit regulates the internal signal amplitude to the reference value (Ref2, Figure 3-2). It decreases the gain by one step if the internal signal exceeds the reference level for two periods and it increases the gain by one step if eight periods do not achieve the reference level. In the standby listen mode the gain is reset to the maximum value. If a valid preamble signal (192 valid carrier clocks) is detected the automatic gain control is activated.

Note: With the variation of the gain the coil input impedance changes from high impedance to minimal 143 k Ω because of the internal regulator circuit (see Figure 3-8 on page 8).

Figure 3-2. Automatic Gain Control



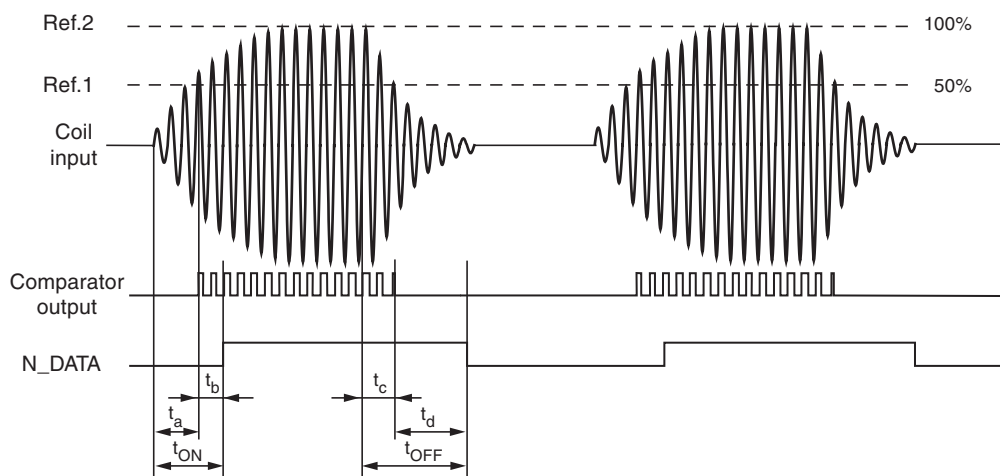
3.4 Signal Conditioner

The signal conditioner demodulates the amplifier output signal and converts it to a binary signal. It compares the carrier signal with the 50% reference level (see Ref1 in Figure 3-3) and delivers a logical 1, if the carrier signal stays below the reference and a logical 0, if it exceeds the reference level. A smoothing filter suppresses the space between the half-waves as well as a few missing periods in the carrier and glitches during the gaps.

The output signal of the signal conditioner is used as the internal data signal for the data output, the wake-up logic and the preamble detection.

The timing of the demodulated data signal is delayed related to the signal at the transmitting end. This delay is a function of the carrier frequency, the behavior of the smoothing filter and the antenna Q-factor. The smoothing filter causes a delay of 3 to 6 periods (see t_b and t_d in Figure 3-3). The rest of the delay is caused by the build-up time of the antenna signal and is conditioned on the Q-factor (see t_a and t_c in Figure 3-3).

Figure 3-3. Output Timing



The following diagrams show the delay of the data signal as a function of the antenna Q-factor.

Figure 3-4. Turn On Delay Time (t_{ON}) versus Antenna Q-Factor

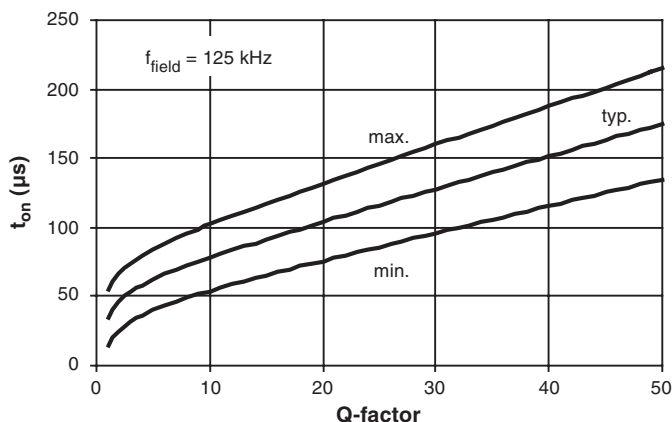
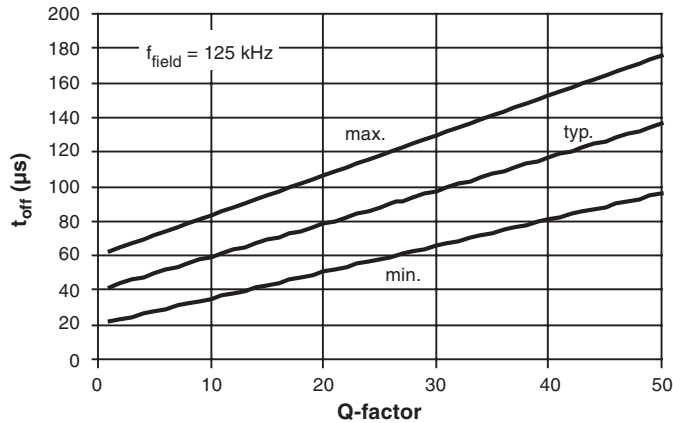


Figure 3-5. Turn Off Delay Time (t_{off}) versus Antenna Q-Factor



3.5 Data Output

The data output N_DATA outputs the demodulated and digitized LF signal according to the envelope of the antenna input signal. In the standby mode the N_DATA output is disabled and set to level 1. It is enabled by the wake-up signal and it outputs 1 level if the IC detects the carrier signal and a 0 level during the gaps (see [Figure 3-1 on page 3](#)).

As the circuit does not check the received data (except the preamble), it is up to the user to choose the kind of encoding (pulse distance, Manchester, bi-phase...) wanted.

3.6 Wake-up Signal

The wake-up signal (N_WAKEUP) indicates that the ATA5283 has detected the end of a preamble signal and has left the standby mode. It can be used as a wake-up or a chip select signal for an external device (see [Figure 3-1 on page 3](#)).

After a preamble is detected the first valid gap (Start Gap) sets the N_WAKEUP output to low and enables the data output N_DATA. The N_WAKEUP holds the low level until the IC is reset to the standby mode by a reset signal.

3.7 Reset

The IC is reset either by the internal POR circuit during a power on sequence or by a high pulse at the RESET pin. After the reset all internal counters are in the initial state and the IC is in the standby listen mode.

The POR circuit generates a reset while the supply voltage V_{DD} is below the power on reset threshold V_{POR} and release the function of the IC if V_{DD} exceeds this threshold.

A high signal at the RESET pin resets the complete circuit. If the IC is activated a reset signal is necessary to activate the standby listen mode.

The RESET pin can also be used to hold the IC in a power down state. In this state the IC is out of operation and the current consumption is below the standby current.

Note: The RESET pin is high impedance CMOS input. To avoid floating effects like undefined input states and malfunctions it should not be open.

3.8 Standby Listen Mode

In the standby listen mode the IC monitors the coil input with a very low current consumption. The automatic gain control is switched off and the gain is set to the maximum value. The N_DATA and the N_WAKEUP output are set to a high level.

Before the controller enters its standby mode after the communication, it should activate the standby listen mode of the ATA5283 with a reset signal. This measure ensures that the IC enters the power saving standby mode and that the IC wakes the controller correctly with the next preamble signal.

3.9 Applications

Figure 3-6 shows a typical TPM application of the ATA5283. Combined with the antenna resonant circuit the ATA5283 is used as wake-up receiver for the microcontroller and the connected temperature- and pressure-sensor.

Note: To avoid supply voltage ripples to affect the microcontroller, an RC filter (R1 = 100Ω, C1 = 10 nF) is recommended.

Figure 3-6. Application

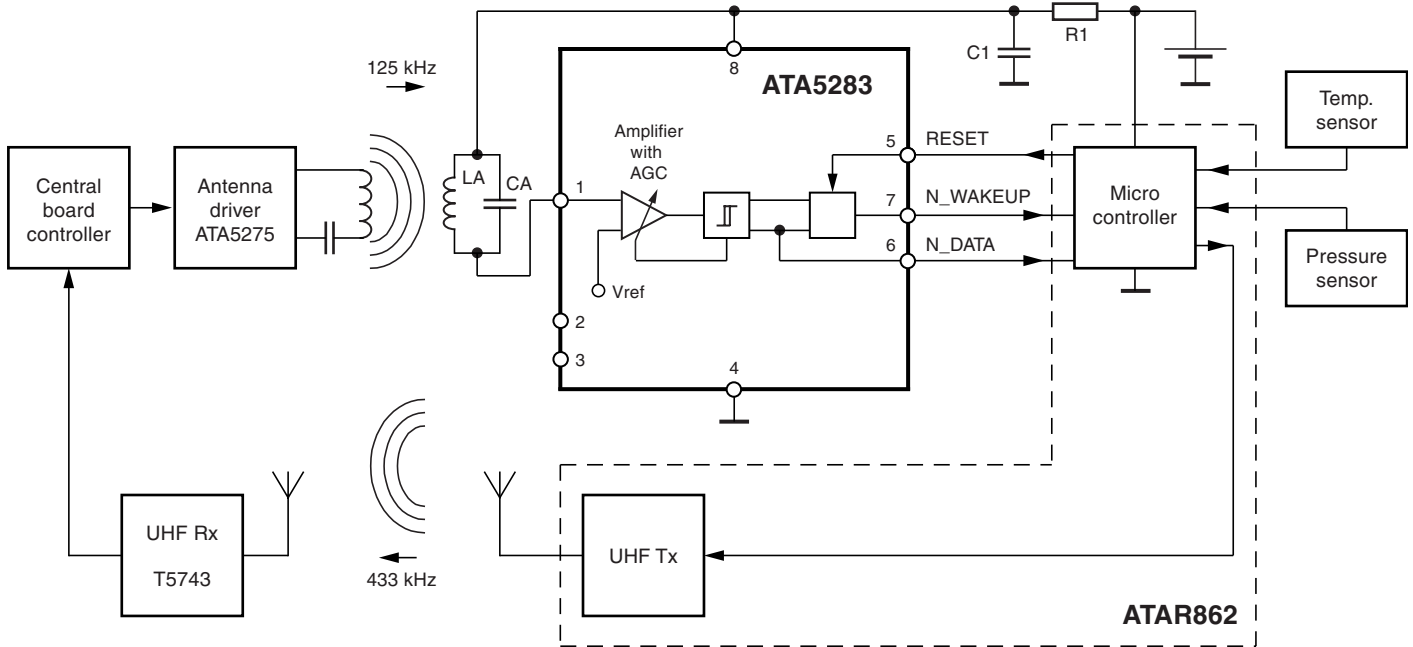


Figure 3-7. Pin Connection and Pin Protection

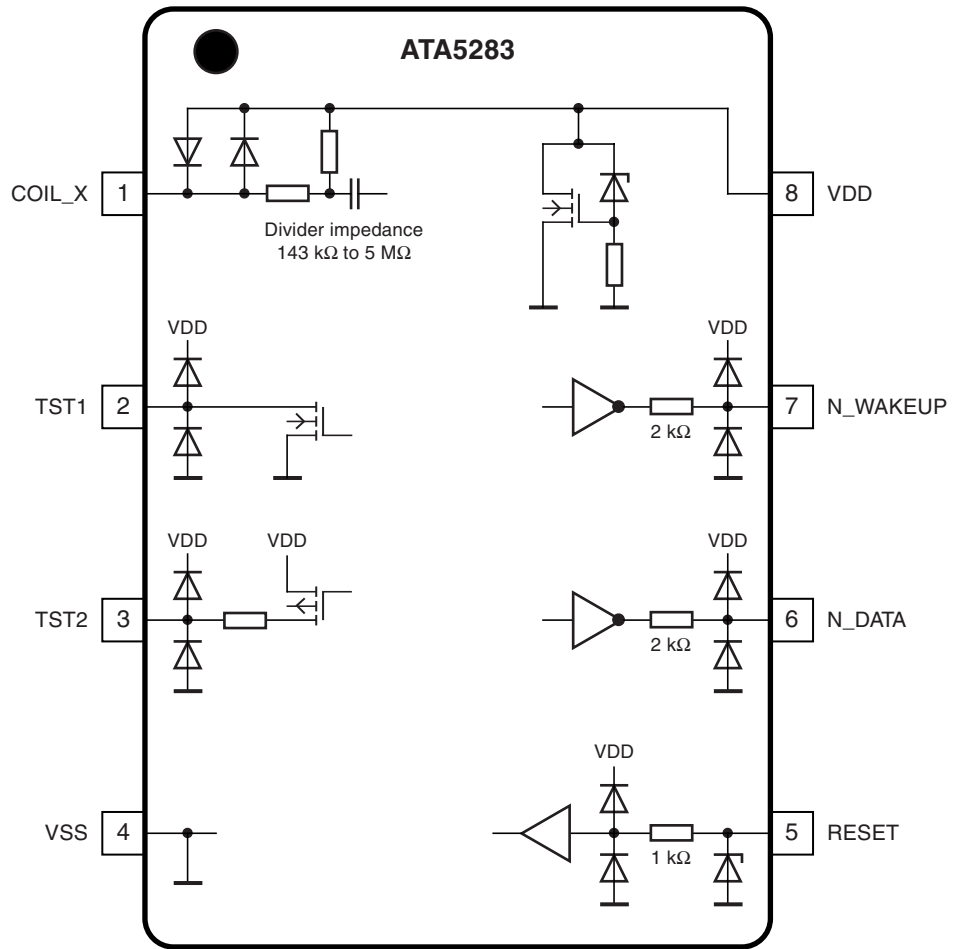
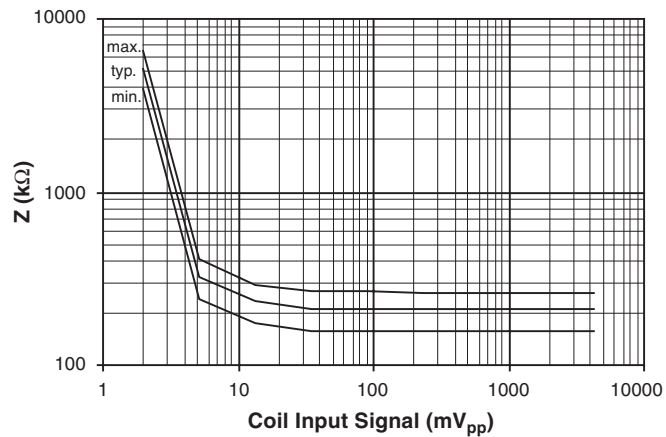


Figure 3-8. Coil Input Impedance



4. Absolute Maximum Ratings

Stresses beyond those listed under “Absolute Maximum Ratings” may cause permanent damage to the device. This is a stress rating only and functional operation of the device at these or any other conditions beyond those indicated in the operational sections of this specification is not implied. Exposure to absolute maximum rating conditions for extended periods may affect device reliability.

Parameters	Symbol	Value	Unit
Power supply	V_{DD}	-0.3 to +6.5	V
Input voltage (except coil inputs)	V_{IN}	$V_{SS} - 0.3 < V_{IN} < V_{DD} + 0.3$	V
Input current coil	I_{CI}	± 10	mA
Input voltage coil	V_{CI}	$V_{DD} - 3.5 < V_{CI} < V_{DD} + 3.5$	V
ESD protection (human body)	V_{ESD}	4	kV
Operating temperature range	T_{amb}	-40 to +125	°C
Withstanding 175°C	t_{TEMP}	30	min.
Storage temperature range	T_{stg}	-40 to +150	°C
Soldering temperature	T_{sld}	260	°C

5. Thermal Resistance

Parameters	Symbol	Value	Unit
Thermal resistance junction ambient	R_{thJA}	210	K/W

6. Operating Range

Parameters	Symbol	Value	Unit
Power supply range	V_{DD}	2 to 3.8	V
Operating temperature range	T_{OP}	-40 to +125	°C

7. Electrical Characteristics

$V_{SS} = 0V$, $V_{DD} = 2V$ to $3.8V$, $T_{amb} = -40^{\circ}C$ to $+105^{\circ}C$, characterized up to $125^{\circ}C$, unless other specified

No.	Parameters	Test Conditions	Pin	Symbol	Min.	Typ.	Max.	Unit	Type*
1	Power Supply and Coil Limiter								
1.1	Power supply		8	V_{DD}	2	3.2	3.8	V	A
1.2	Reset supply current -40		1, 2, 3, 8	I_{DDR}		0.4	0.8	μA	A
	Reset supply current +25	0.8					μA	A	
	Reset supply current +85	0.8					μA	C	
	Reset supply current +105	1.0					μA	A	
	Reset supply current +125	1.5					μA	C	
1.3	Supply current (standby listen mode) -40		1, 2, 3, 8	I_{DDL}		1.1	1.4	μA	A
	Supply current (standby listen mode) +25	1.5					μA	A	
	Supply current (standby listen mode) +85	1.6					μA	C	
	Supply current (standby listen mode) +105	1.6					μA	A	
	Supply current (standby listen mode) +125	1.7					μA	C	
1.4	Supply current with carrier (AGC active) -40		1, 2, 3, 8	I_{DD}		2	4.0	μA	A
	Supply current with carrier (AGC active) +25	4.1					μA	A	
	Supply current with carrier (AGC active) +85	4.2					μA	C	
	Supply current with carrier (AGC active) +105	4.2					μA	A	
	Supply current with carrier (AGC active) +125	4.2					μA	C	
1.5	Coil input voltage referred to V_{DD} (Input coil limiter for channels X, Y, Z)	$I_{CI} = \pm 1 \text{ mA}$ $V_{DD} = 2V$	1-3	V_C			± 1.4	Vp	A
		$I_{CI} = \pm 1 \text{ mA}$ $V_{DD} = 3.2V$					± 1.6	Vp	A
		$I_{CI} = \pm 1 \text{ mA}$ $V_{DD} = 3.8V$					± 1.8	Vp	A
2	Amplifiers								
2.1	Wake-up sensitivity	125 kHz input signal	7	V_{SENS}		1	2.2	mV_{rms}	A
2.2	Bandwidth	Without coil	6	B_W		150		kHz	C
2.3	Upper corner frequency	Without coil	6	f_u		180		kHz	C
2.4	Lower corner frequency	Without coil	6	f_o		30		kHz	C
2.5	Input impedance	$f = 125 \text{ kHz}$	1	R_{IN}	143			$k\Omega$	A
2.6	Input capacitance	$V_{IN} \geq 1 \text{ mV}_{rms}$ at 125 kHz	1	C_{IN}		10		pF	C

*) Type means: A = 100% tested, B = 100% correlation tested, C = Characterized on samples, D = Design parameter

7. Electrical Characteristics (Continued)

$V_{SS} = 0V$, $V_{DD} = 2V$ to $3.8V$, $T_{amb} = -40^{\circ}C$ to $+105^{\circ}C$, characterized up to $125^{\circ}C$, unless other specified

No.	Parameters	Test Conditions	Pin	Symbol	Min.	Typ.	Max.	Unit	Type*
3	Automatic Gain Control								
3.1	Preamble detection time	$V_{IN} \geq 3 \text{ mV}_{rms}$ at 125 kHz		t_{DAGC}		192		Periods	B
3.2	AGC adjustment time	$f = 125 \text{ kHz}$ $V_{IN} = 1 \text{ mV}_{rms}$ $V_{IN} = 3 \text{ mV}_{rms}$ $V_{IN} = 30 \text{ mV}_{rms}$ $V_{IN} = 100 \text{ mV}_{rms}$ $V_{IN} = 1V_{rms}$		t_{AGC} t_{AGC} t_{AGC} t_{AGC} t_{AGC}		0 48 220 292 450	512	Periods	C
3.3	Signal change rate (gap detection)	Coil input signal 100% to 37% (τ)	1	t_{EOS}			20	Periods	C
3.4	AGC correction time (no gap detection)	Coil input signal: 50 to 100% changing	1	t_{CORR}			52	Periods	C
		Coil input signal: 100 to 50% changing	1	t_{CORR}			208	Periods	C
3.5	Data rate ($Q < 20$)	125 kHz ASK		DR		4		Kb/s	A
3.6	Delay time RF signal to data	125 kHz ASK		t_{ON}		40		μs	A
3.7	Delay time RF signal to data	125 kHz ASK		t_{OFF}		40		μs	A
4	Interface								
4.1	Reset input level high		5	V_{HRESET}	$0.8 \times V_{DD}$		V_{DD}	V	A
4.1.1	Reset pulse width	$V_{RESET} = V_{DD}$	5	t_{RESET}	20			μs	A
4.2	Reset input level low		5	V_{LRESET}	0		$0.2 \times V_{DD}$	V	C
4.3	Reset input leakage current low	$V_{RESET} = V_{SS}$	5	I_{IL}	-0.2		0	μA	A
4.4	Reset input leakage current high	$V_{RESET} = V_{DD}$	5	I_{IH}	0		0.2	μA	A
4.5	N_WAKEUP output level high	$I_{NWAKEUP} = -100 \mu A$	7	V_{HNWAKE}	$0.8 \times V_{DD}$		V_{DD}	V	A
4.6	N_WAKEUP output level low	$I_{NWAKEUP} = 100 \mu A$	7	V_{LNWAKE}	0		$0.2 \times V_{DD}$	V	A
4.7	N_DATA output level high	$I_{N_DATA} = -100 \mu A$	6	V_{HN_DATA}	$0.8 \times V_{DD}$		V_{DD}	V	A
4.8	N_DATA output level low	$I_{N_DATA} = 100 \mu A$	6	V_{LN_DATA}	0		$0.2 \times V_{DD}$	V	A
5	Power Supply and Reset								
5.1	V_{DD} power on reset threshold			V_{POR}	1	1.5	1.9	V	A
5.2	Power-up time	Switch on V_{DD} to circuit active		t_{PON}			100	ms	C
5.2.1	Standby reactivation delay after pulse reset	$f = 125 \text{ kHz}$		T_{Sbydel}			800	μs	C
5.3	RESET reactivation caused by negative spikes on V_{DD}	$t_{BDN} = 500 \text{ ns}$	7	t_{RST}	10		200	μs	C

*) Type means: A = 100% tested, B = 100% correlation tested, C = Characterized on samples, D = Design parameter

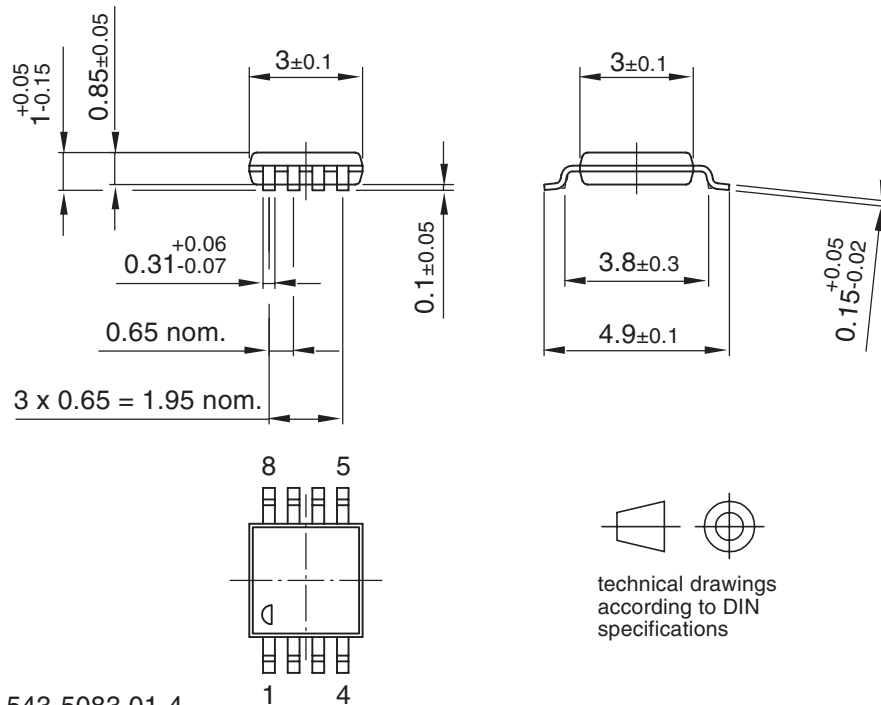
8. Ordering Information

Extended Type Number	Package	Remarks
ATA5283P-6AQJ	TSSOP8L	5000 pieces, taped and reeled, Pb-free
ATA5283P-6APJ	TSSOP8L	500 pieces, taped and reeled, Pb-free

9. Package Information

Package: TSSOP 8L

Dimensions in mm



Drawing-No.: 6.543-5083.01-4

Issue: 2; 15.03.04

10. Revision History

Please note that the following page numbers referred to in this section refer to the specific revision mentioned, not to this document.

Revision No.	History
4598H-AUTO-03/07	<ul style="list-style-type: none">• Number 5.2.1 in section 7 “Electrical Characteristics” on page 11 added
4598G-AUTO-01/07	<ul style="list-style-type: none">• Put datasheet in a new template• Pb-free logo on page 1 deleted
4598F-AUTO-09/05	<ul style="list-style-type: none">• Put datasheet in a new template• Pb-free logo on page 1 added• Heading Rows on Table “Absolute Maximum Ratings” on page 9 added• Ordering Information on page 12 changed



Atmel Corporation

2325 Orchard Parkway
San Jose, CA 95131, USA
Tel: 1(408) 441-0311
Fax: 1(408) 487-2600

Regional Headquarters

Europe

Atmel Sarl
Route des Arsenaux 41
Case Postale 80
CH-1705 Fribourg
Switzerland
Tel: (41) 26-426-5555
Fax: (41) 26-426-5500

Asia

Room 1219
Chinachem Golden Plaza
77 Mody Road Tsimshatsui
East Kowloon
Hong Kong
Tel: (852) 2721-9778
Fax: (852) 2722-1369

Japan

9F, Tonetsu Shinkawa Bldg.
1-24-8 Shinkawa
Chuo-ku, Tokyo 104-0033
Japan
Tel: (81) 3-3523-3551
Fax: (81) 3-3523-7581

Atmel Operations

Memory

2325 Orchard Parkway
San Jose, CA 95131, USA
Tel: 1(408) 441-0311
Fax: 1(408) 436-4314

Microcontrollers

2325 Orchard Parkway
San Jose, CA 95131, USA
Tel: 1(408) 441-0311
Fax: 1(408) 436-4314

La Chantrerie
BP 70602
44306 Nantes Cedex 3, France
Tel: (33) 2-40-18-18-18
Fax: (33) 2-40-18-19-60

ASIC/ASSP/Smart Cards

Zone Industrielle
13106 Rousset Cedex, France
Tel: (33) 4-42-53-60-00
Fax: (33) 4-42-53-60-01

1150 East Cheyenne Mtn. Blvd.
Colorado Springs, CO 80906, USA
Tel: 1(719) 576-3300
Fax: 1(719) 540-1759

Scottish Enterprise Technology Park
Maxwell Building
East Kilbride G75 0QR, Scotland
Tel: (44) 1355-803-000
Fax: (44) 1355-242-743

RF/Automotive

Theresienstrasse 2
Postfach 3535
74025 Heilbronn, Germany
Tel: (49) 71-31-67-0
Fax: (49) 71-31-67-2340

1150 East Cheyenne Mtn. Blvd.
Colorado Springs, CO 80906, USA
Tel: 1(719) 576-3300
Fax: 1(719) 540-1759

Biometrics

Avenue de Rochepleine
BP 123
38521 Saint-Egreve Cedex, France
Tel: (33) 4-76-58-47-50
Fax: (33) 4-76-58-47-60

Literature Requests

www.atmel.com/literature

Disclaimer: The information in this document is provided in connection with Atmel products. No license, express or implied, by estoppel or otherwise, to any intellectual property right is granted by this document or in connection with the sale of Atmel products. **EXCEPT AS SET FORTH IN ATMEL'S TERMS AND CONDITIONS OF SALE LOCATED ON ATMEL'S WEB SITE, ATMEL ASSUMES NO LIABILITY WHATSOEVER AND DISCLAIMS ANY EXPRESS, IMPLIED OR STATUTORY WARRANTY RELATING TO ITS PRODUCTS INCLUDING, BUT NOT LIMITED TO, THE IMPLIED WARRANTY OF MERCHANTABILITY, FITNESS FOR A PARTICULAR PURPOSE, OR NON-INFRINGEMENT. IN NO EVENT SHALL ATMEL BE LIABLE FOR ANY DIRECT, INDIRECT, CONSEQUENTIAL, PUNITIVE, SPECIAL OR INCIDENTAL DAMAGES (INCLUDING, WITHOUT LIMITATION, DAMAGES FOR LOSS OF PROFITS, BUSINESS INTERRUPTION, OR LOSS OF INFORMATION) ARISING OUT OF THE USE OR INABILITY TO USE THIS DOCUMENT, EVEN IF ATMEL HAS BEEN ADVISED OF THE POSSIBILITY OF SUCH DAMAGES.** Atmel makes no representations or warranties with respect to the accuracy or completeness of the contents of this document and reserves the right to make changes to specifications and product descriptions at any time without notice. Atmel does not make any commitment to update the information contained herein. Unless specifically provided otherwise, Atmel products are not suitable for, and shall not be used in, automotive applications. Atmel's products are not intended, authorized, or warranted for use as components in applications intended to support or sustain life.

© 2007 Atmel Corporation. All rights reserved. Atmel®, logo and combinations thereof, Everywhere You Are® and others are registered trademarks or trademarks of Atmel Corporation or its subsidiaries. Other terms and product names may be trademarks of others.