

INDUSTRIAL GRADE CERAMIC RESONATOR



AWSZT-MV

Pb in ceramic
(exempt per RoHS 2002/95/EC Annex (7))

**RoHS
Compliant**

➤ **FEATURES:**

- Excellent environmental resistance
- Industrial Grade
- Low resonant impedance
- Reflow capable
- Small size, Light weight

➤ **APPLICATIONS:**

- Electric appliances
- Remote controls
- Microprocessor clocks
- Industrial controllers
- Mobile phones, DVD, CD-Rom

➤ **STANDARD SPECIFICATIONS:**

Part Number (XX.XX denotes frequency in MHz)	Frequency Tolerance at 25°C	Frequency Stability at - 20°C to +80°C	Aging in 10 years	Operating temperature	Res. Imp. (Ω) max
AWSZT-XX.XXMVS 8.00 MHz - 13.00 MHz	± 0.4%	± 0.3%	± 0.3%	-20° to +80°C	25
AWSZT-XX.XXMVD 8.00 MHz - 13.00 MHz	± 0.4%	± 0.3% ± 0.5% (- 40C to 85C)	± 0.3%	-40° to +85°C	25
AWSZT-XX.XXMVA 8.00 MHz - 13.00 MHz	± 0.4%	± 0.3% ± 0.7% (- 40C to 125C)	± 0.3%	-40° to +125°C	25
AWSZT-XX.XXMV 13.01 MHz - 20.00 MHz	± 0.3%	± 0.3%	± 0.3%	-20° to +80°C	40
AWSZT-XX.XXMV 20.01 MHz - 25.99 MHz	± 0.3%	± 0.3%	± 0.3%	-20° to +80°C	40
AWSZT-XX.XXMV 26.00 MHz - 50.00 MHz	± 0.3%	± 0.3%	± 0.3%	-20° to +80°C	40

ITEM	SPECIFICATION
Storage temperature:	- 40°C to +125°C
Insulation resistance:	500Mohms min. at 10Vdc

FREQ (MHz)	C1=C2 pF (±20%)
8.00 ~ 13.00	30
13.01 ~ 20.00	30
20.01 ~ 25.99	15
26.00 ~ 50.00	5

➤ **MARKING:**

XX.XXMZY

XX.XX = (Frequency in MHz)
Z = Month Code; Y = Year Code

➤ **OPTIONS AND PART IDENTIFICATION:**

(Left blank if standard)

AWSZT - XX.XXMEY - Packaging

XX.XX: Frequency in MHz

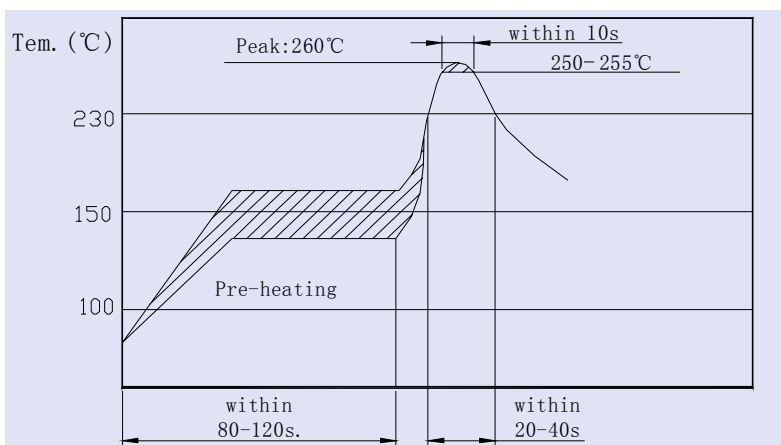
Y Option:

S,D or A

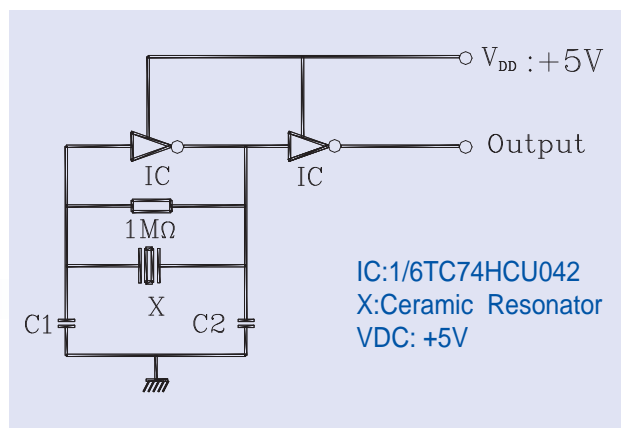
Packaging option:

T for Tape and Reel (4000pcs/reel)

➤ **SUGGESTED REFLOW PROFILE:**



➤ **TEST CIRCUIT:**



ABRACON IS
ISO 9001 / QS 9000
CERTIFIED



Visit www.abracon.com for Terms & Conditions of Sale **Revised: 07.16.07**
30332 Esperanza, Rancho Santa Margarita, California 92688
tel 949-546-8000 | fax 949-546-8001 | www.abracon.com

INDUSTRIAL GRADE CERAMIC RESONATOR

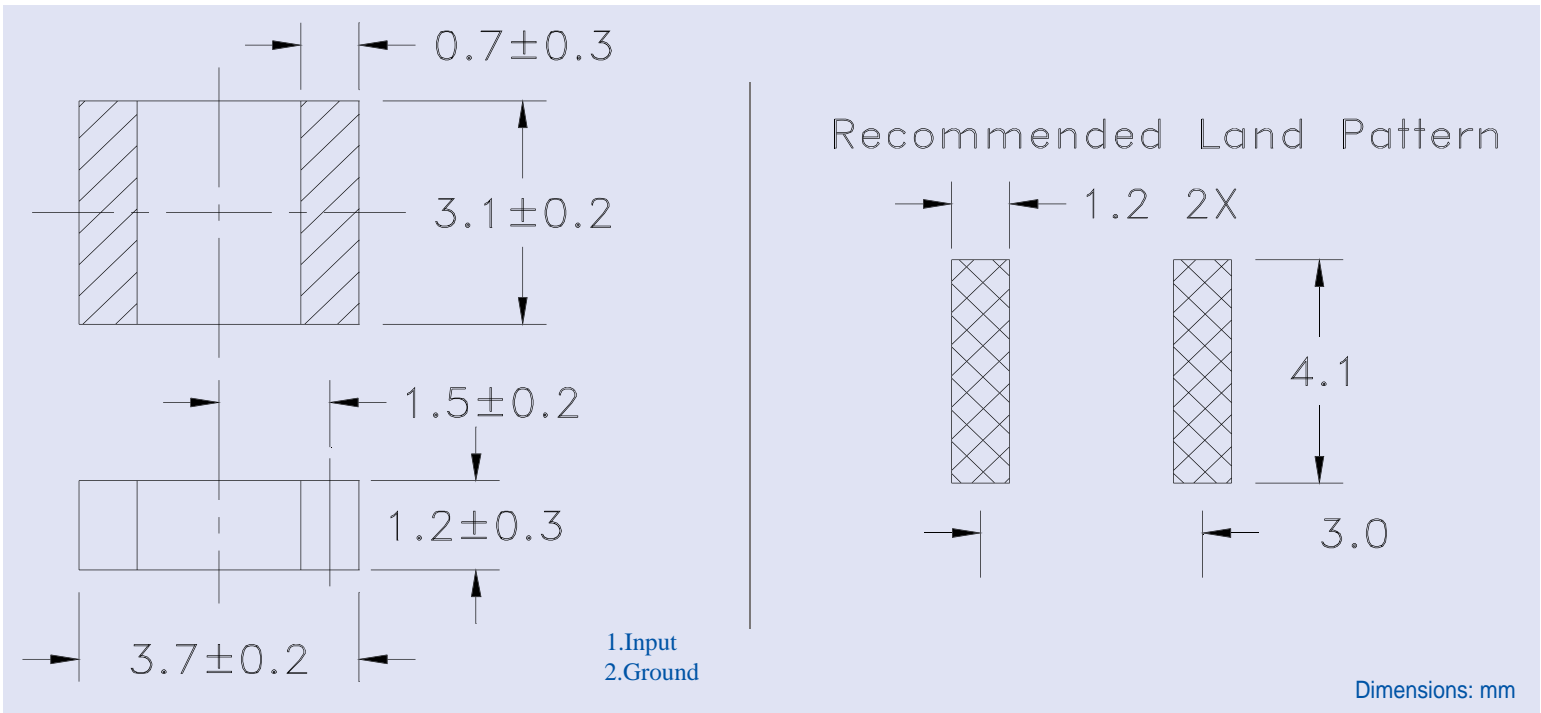
AWSZT-MV

Pb in ceramic
(exempt per RoHS 2002/95/EC Annex (7))

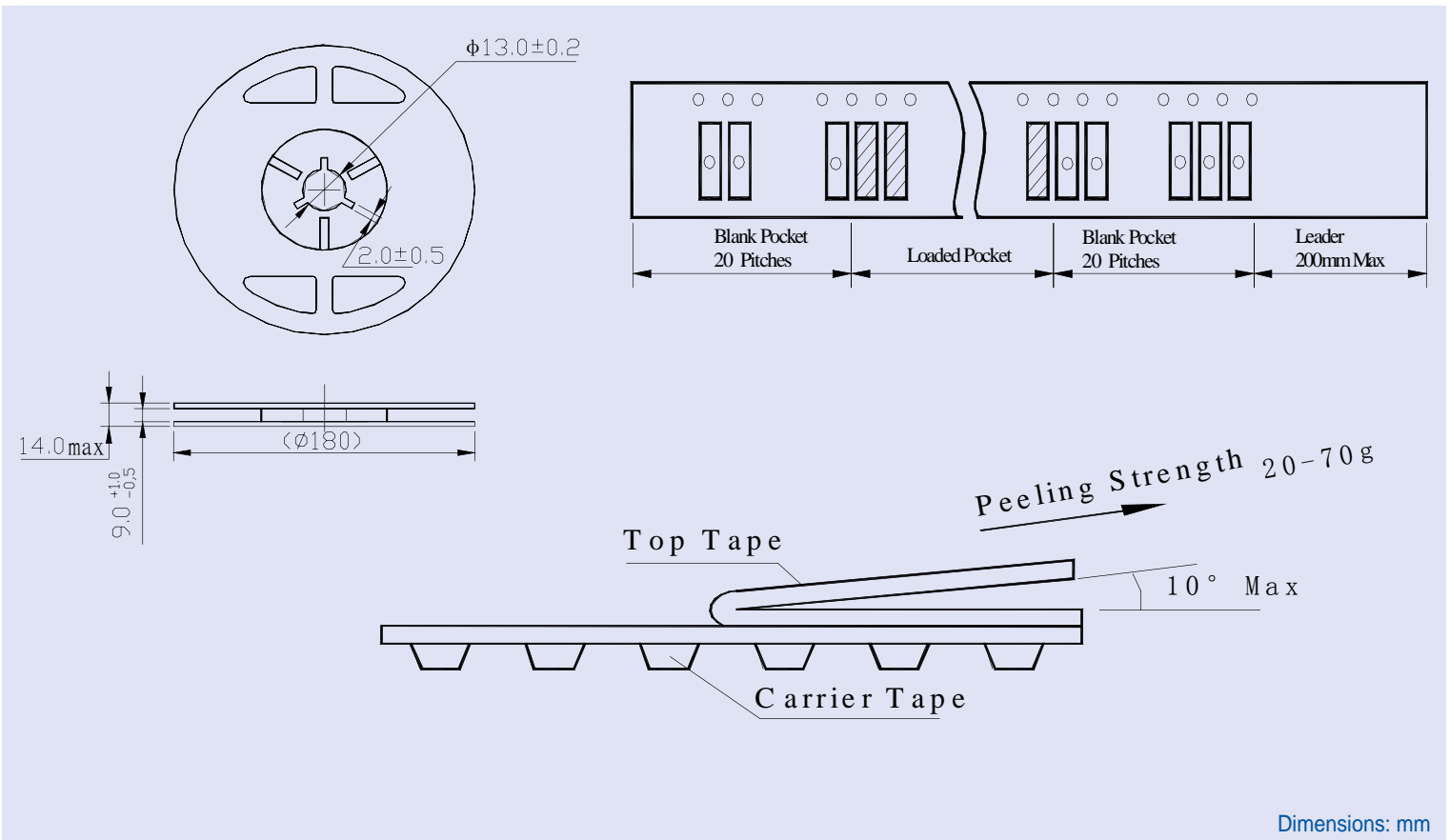
RoHS
Compliant



OUTLINE DRAWING:



TAPE & REEL: T = Tape and reel 4,000pcs/reel



ABRACON IS
ISO 9001 / QS 9000
CERTIFIED

ABRACON
CORPORATION

Visit www.abracon.com for Terms & Conditions of Sale **Revised: 07.16.07**
30332 Esperanza, Rancho Santa Margarita, California 92688
tel 949-546-8000 | fax 949-546-8001 | www.abracon.com