



Capacitors for Power Electronics

Series/Type: **B25667A**

The following products presented in this data sheet are being withdrawn.

Ordering Code	Substitute Product	Date of Withdrawal	Deadline Last Orders	Last Shipments
B25667A4467A365	B25667B4467A375	2004-09-10		

For further information please contact your nearest EPCOS sales office, which will also support you in selecting a suitable substitute. The addresses of our worldwide sales network are presented at www.epcos.com/sales.

Characteristics

$C_N \Delta$ 3x 154,4 μ F \pm 5 %
 U_N AC 440 V
 f_N 50 Hz
 Q_N 28,1 kvar
 I_N 3x 37 A
 $\tan \delta_0$ 0,2 W/kvar (dielectric)

Maximum ratings

U_{max} AC 480 V, 8 h daily
 AC 570 V, 1 min
 $I_{r(40)}$ 3x 37 A ($\Theta_A = 40^\circ\text{C}$, U_N)
 I_s 8000 A
 $(du/dt)_{max}$ 12 V/ μ s
 $(du/dt)_s$ 30 V/ μ s

Test data

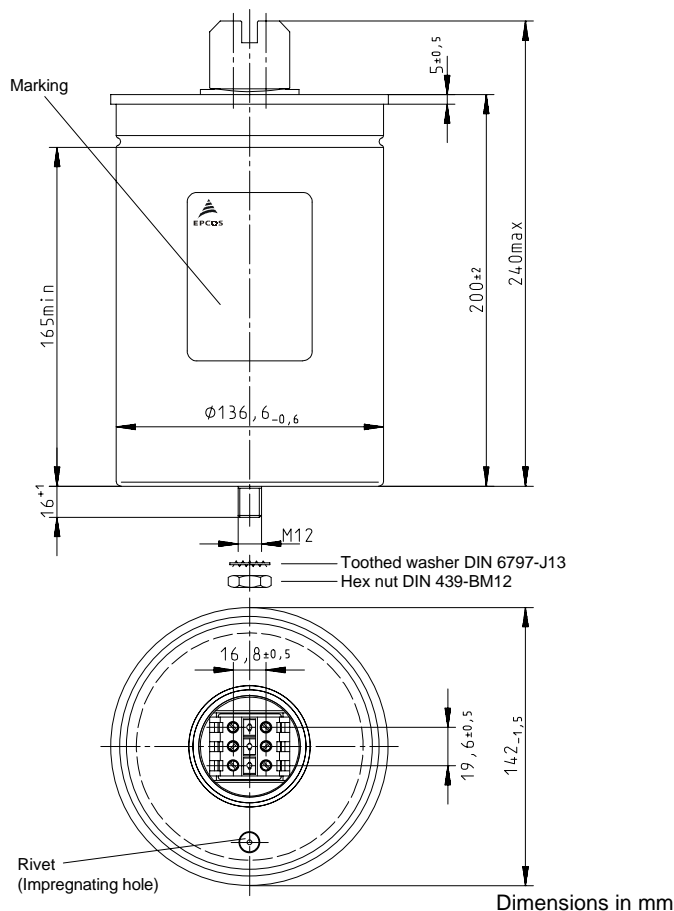
U_{TT} AC 950 V, 10 s
 U_{TC} AC 3000 V, 10 s
 $\tan \delta$ (50 Hz) \leq 0,7 W/kvar (total)

Climatic category -40/D

Θ_{min} -40 °C
 Θ_{max} +55 °C
 Humidity Max. relative
 Humidity \leq 95 %
 Θ_{stg} -55 bis +70 °C

Life expectancy

t_{LD} 100 000 h



Design data

Dimensions ϕ x l 142 x 200 mm (5,59 x 7,87 in)
 Approx. weight 2,5 kg (5,5 lb)
 Impregnation Gas
 Fixing Threaded bolt M12
 Mounting hole 14 mm (0,55 in)
 Max. torque 10 Nm
 Terminals Isolated terminal, IP20
 Max. torque 1,2 Nm
 Terminal cross section 16 mm² (5 AWG)
 Creepage distance 12,7 mm (0,50 in)
 Clearance 9,6 mm (0,38 in)
 Overpressure disconnecter
 Any mounting position possible

Remarks

Natural cooling