



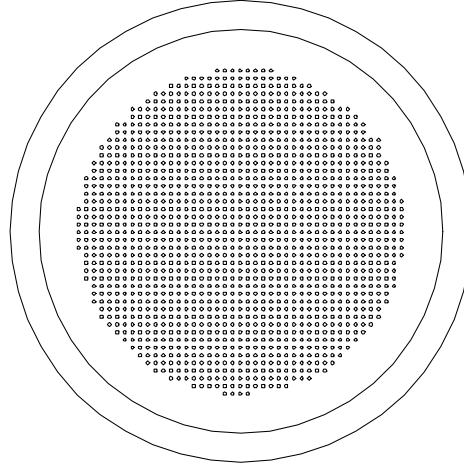
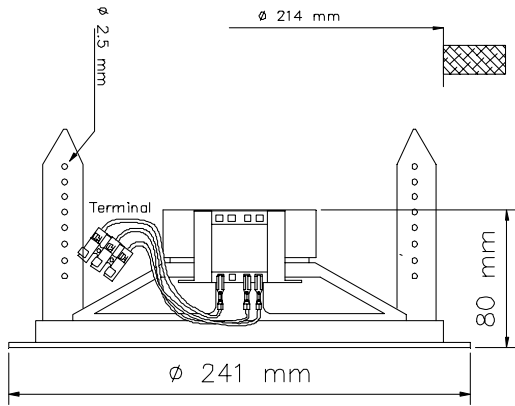
# DNH<sup>AS</sup>

N-3770 Kragerø  
 NORWAY  
 Phone: ..... (47) 35 98 56 00  
 Fax: ..... (47) 35 98 56 10  
 E-mail: ..... dnh@dnh.no  
 Web-site: ..... www.dnh.no

ISO 9001 CERTIFIED

## B-640(T)

DNH WW Ltd. Phone: ..... (44) 1908 275 000  
 England Fax: ..... (44) 1908 275 100  
 E-mail: ..... dnh@dnh.co.uk  
 DNH GmbH Phone: ..... (49) 040 6569 30-0  
 Germany Fax: ..... (49) 040 6569 30-30  
 E-mail: ..... dnh@dnh.de

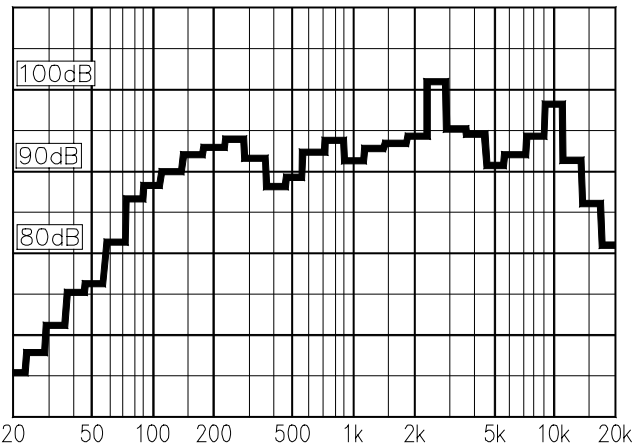


Transformer:  
 Combined  
 50 / 100 Volt line  
 5(White) : 6(Green) 50V  
 5(White) : 8(Red) 100V

Secondary nominal  
 tapings:  
 1 : 4 6,0W  
 1 : 3 3,0W  
 2 : 4 2,0W  
 1 : 2 1,5W  
 3 : 4 0,9 W  
 2 : 3 0,5 W

Rec. ceiling hole:  $\varnothing$  215 mm

1W/1m Pink Noise 1/3 octave bands



Material / Colour ..... Aluminium / RAL9010  
 Mounting ..... 4 metal strips  
 Termination ..... Spring clamps  
 Weight ..... 1,2 kg  
 IP-rating .....  
 Max. / min. amb. temp ..... 90°C / -20°C  
 Standard version ..... 50 / 100 V transformer  
 Rated / max. power ..... 6 W / 20 W  
 SPL 1W/1m ..... 90 dB  
 SPL rated power ..... 97 dB  
 Effective freq. range ..... 60 – 20000 Hz  
 Dispersion (-6dB) 1kHz / 4kHz ..... 140° / 50°  
 Directivity factor, Q.....

### Installation, Operation and Maintenance Procedures

- When mounting the loudspeaker please ensure that it is re-assembled in the same manner in which it was received.
- Install outer ring into the hole by bending down 4 metal strips. Use nail / screw to prevent the ring from turning. Connect cable to terminal. Screw the loudspeaker grill clockwise into fixed position.
- For optimum performance, always use the correct voltage / power and operate within the frequency limits as stated.
- Take care when loudspeaker is energized (100 V).
- This loudspeaker is supplied with a 2 year warranty against defective workmanship.

Most of our products are available in different colours, impedances and power ratings.

